

UNIT:MM

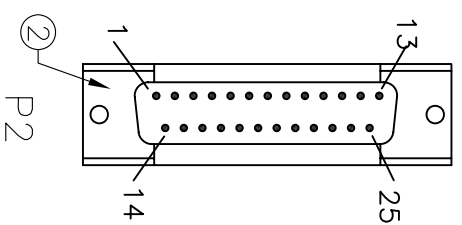
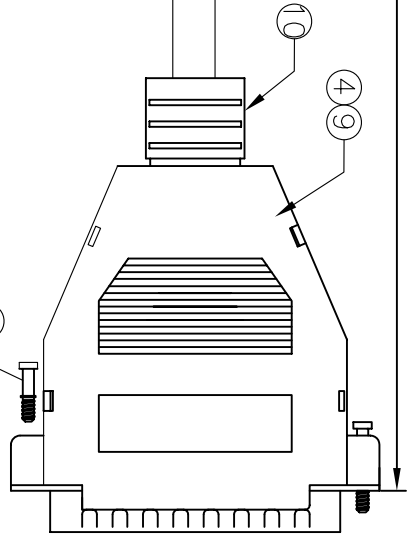
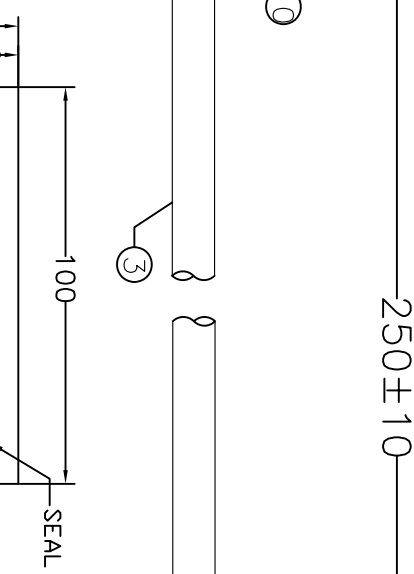
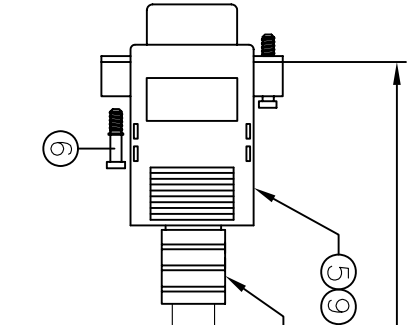
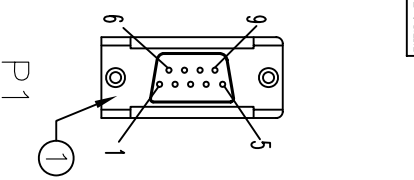
4

3

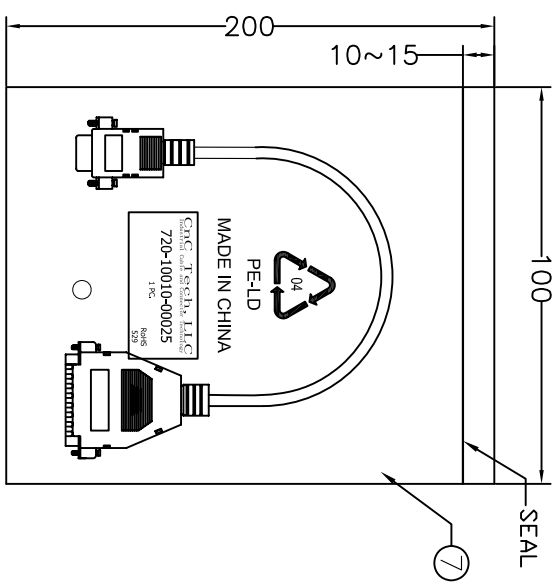
2

1

250±10



| P1       | P2        |
|----------|-----------|
| 1 BLACK  | 8 GREY    |
| 2 GREY   | 3 YELLOW  |
| 3 YELLOW | 2 PURPLE  |
| 4 PURPLE | 20 ORANGE |
| 5 ORANGE | 7 RED     |
| 6 RED    | 6 BROWN   |
| 7 BROWN  | 4 GREEN   |
| 8 GREEN  | 5 BLUE    |
| 9 BLUE   | 22 DRAIN  |
| SHELL    | SHELL     |



B

C

D

|     |        |      |  |
|-----|--------|------|--|
| ⑩   | S/R    | 5.5g | BEIGE(IV-29#) 45P PVC (MOULD NO.SR-50/SR-51)                             |
| ⑨   | TUBE   | 1    | 黑色热缩套管, OD1.5mm,L1=20mm,L2=30mm  |
| ⑧   | PE BAG | 1/10 | CLEAR SIZE: 280*330*0.05mm PRINT BLACK"MADE IN CHINA"+"10PCS"及生产周期,有透气孔. |
| ⑦   | PE BAG | 1    | CLEAR SIZE: 100*200*0.05mm PRINT BLACK"MADE IN CHINA"+"1PC"及生产周期,有透气孔.   |
| ⑥   | SCREW  | 4    | SCREW #4-40UNC L=12.5mm,NICKEL PLATED                                    |
| ⑤   | DKN    | 1    | DB9P DKN W/O NUT BEIGE   |
| ④   | DKN    | 1    | DB25P DKN W/O NUT BEIGE  |
| ③   | CABLE  | 1    | NOUL 30AWG(7/0.10)*9C+D+AL OD5.0mm COLOR BEIGE(IV-29#)                   |
| ②   | CONN   | 1    | DB25P MALE SOLDER TYPE PIN G/F, BLUE INSULATION                          |
| ①   | CONN   | 1    | DB 9P FEMALE SOLDER TYPE G/F, BLUE INSULATION                            |
| NO. | NAME   | Q'TY |  |

4

3

2

1

SPECIFICATION

# CMC Tech, LLC

Industrial Cable and Connector Technology

|                    |         |             |                 |
|--------------------|---------|-------------|-----------------|
| DRAWN BY           | ZHONGHS | DRAWING NO. |                 |
| CHECKED BY         |         | CUSTOMER    |                 |
| APPROVAL BY        |         | ITEM NO.    | 720-10010-00025 |
| DECIDE BY          |         | DATE        | 2012-02-06      |
| VERSIONS/EDIT/REON | A/0     | PROJECT     |                 |

B

C

D

A

A

## X-ON Electronics

Largest Supplier of Electrical and Electronic Components

*Click to view similar products for [cnc manufacturer](#):*

Other Similar products are found below :

[741-20010-00500](#) [DL-5468](#) [2725-2828-01000-T](#) [300-30-40-GR-0250F](#) [743-60012-00300](#) [302-28-50-GR-0250F](#) [302-28-10-GR-0100F](#)  
[3020-10-0300-00-TR](#) [FM-213-4](#) [FM-214-4](#) [302-28-26-GR-0250F](#) [302-28-40-GR-0250F](#) [304-28-26-MC-0250F](#) [304-28-40-MC-0250F](#)  
[302-28-09-GR-0250F](#) [1002-003-02000](#) [302-28-37-GR-0250F](#) [302-28-25-GR-0250F](#) [3020-10-0300-00](#) [300-30-14-GR-0250F](#) [302-28-14-GR-](#)  
[0250F](#) [300-30-04-GR-0250F](#) [300-30-26-GR-0250F](#) [304-28-16-MC-0250F](#) [304-28-26-MC-0100F](#) [302-28-10-GR-0250F](#) [800-1401-2-SJT0-](#)  
[BL-00200](#) [300-30-20-GR-0250F](#) [304-28-14-MC-0250F](#) [800-1800-2-SVT0-BL-00100](#) [741-20010-01000](#) [CNC-99-16](#) [302-28-20-GR-0100F](#)  
[302-28-26-GR-0100F](#) [304-28-40-MC-0100F](#) [600218](#) [510-26-6600-WH-0007F](#) [610230](#) [3010-10-003-13-00](#) [304-28-14-MC-0100F](#) [302-28-50-](#)  
[GR-0100F](#) [3030-16-0102-00](#) [3221-10-0300-00](#) [304-28-16-MC-0100F](#) [610234](#) [302-28-37-GR-0100F](#) [800-12-32D-BL-0008F](#) [FM-215-8](#) [DL-](#)  
[1006](#) [304-28-20-MC-0250F](#)