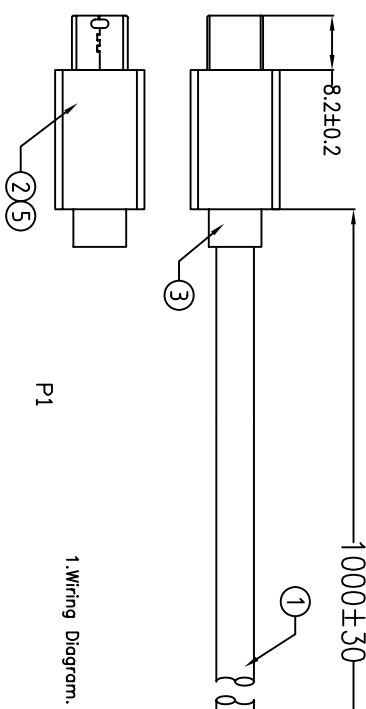
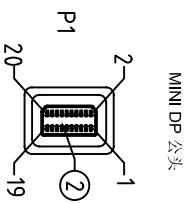
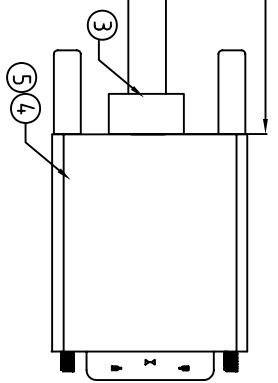


CUSTOMER APPROVED:

DATE:



1. Wiring Diagram.



[ML_Lane 0(p)]	1	1	TMS data2-
[ML_Lane 0(n)]	3	2	TMS data2+
[GND]	2	3	TMS data2 Shield
[ML_Lane 1(p)]	4	6	TMS data1-
[ML_Lane 1(n)]	6	10	TMS data1+
[GND]	5	11	TMS data1 Shield
[ML_Lane 2(p)]	7	17	TMS data0-
[ML_Lane 2(n)]	9	18	TMS data0+
[GND]	8	19	TMS data0 Shield
[ML_Lane 3(p)]	10	12	TMS Clock-
[ML_Lane 3(n)]	12	10	TMS Clock+
[GND]	11	11	TMS Clock Shield
[CONFIG 1]	13	6	(DDC Clock)
[CONFIG 2]	14	7	(DDC Data)
[AUX_CH(p)]	15	15	(Ground)
[AUX_CH(n)]	17	14	(+5V Power)
[GND]	16	15	(Ground)
[Hot Plug Detect]	18	16	(Hot Plug Detect)
[Return DP_PWR]	19		
[NC]	20		

SHELL _____ SHELL

5	PE	PE INSERMOLDING	10g	
4	CONN	DV124+1 MALE INSULATION WHITE NICKEL PIN G/F W/WHITE COVER W/PCB+IC W/THUMB SCREWS	1SET	P2
3	PVC	45P PVC WHITE OVERMOLD	30g	
2	CONN	MINIDP20 MALE INSULATION WHITE NICKEL PIN G/F W/WHITE HODD	1SET	P1
1	CABLE	UL20276 (32AWG*1P+DW+AL/MY)*5+32AWG*5 C+A+D+B(16/6/0.1AAM) ODS.5 WHITE	1	1000MM
NO.	PART NO.	DESCRIPTION	QTY	UNIT/REF
BILL OF MATERIAL				

A	20150414	INITIAL RELEASE	2015/04/14
REV	ECN#	DESCRIPTION	DATE
Cnc Tech, LLC DRAWN: EDWIN LAI CHECKED: EDWIN LAI DATE: 04/14/15 APPROVAL:			
TITLE		CUSTOMER P/N:	
MINI DP / DV124+1 / M CONCEPT, WHITE, 1.0M		743-60011-00100	
DWN NO.		REV	
743-60011-00100		A	
CUSTOMER:		SHEET 1 OF 1	
DRAWING NO.		REV	
743-60011-00100		A	

X-ON Electronics

Largest Supplier of Electrical and Electronic Components

Click to view similar products for [cnc manufacturer](#):

Other Similar products are found below :

[741-20010-00500](#) [DL-5468](#) [2725-2828-01000-T](#) [300-30-40-GR-0250F](#) [743-60012-00300](#) [302-28-50-GR-0250F](#) [302-28-10-GR-0100F](#)
[3020-10-0300-00-TR](#) [FM-213-4](#) [FM-214-4](#) [302-28-26-GR-0250F](#) [302-28-40-GR-0250F](#) [304-28-26-MC-0250F](#) [304-28-40-MC-0250F](#)
[302-28-09-GR-0250F](#) [1002-003-02000](#) [302-28-37-GR-0250F](#) [302-28-25-GR-0250F](#) [3020-10-0300-00](#) [300-30-14-GR-0250F](#) [302-28-14-GR-](#)
[0250F](#) [300-30-04-GR-0250F](#) [300-30-26-GR-0250F](#) [304-28-16-MC-0250F](#) [304-28-26-MC-0100F](#) [302-28-10-GR-0250F](#) [800-1401-2-SJT0-](#)
[BL-00200](#) [300-30-20-GR-0250F](#) [304-28-14-MC-0250F](#) [800-1800-2-SVT0-BL-00100](#) [741-20010-01000](#) [CNC-99-16](#) [302-28-20-GR-0100F](#)
[302-28-26-GR-0100F](#) [304-28-40-MC-0100F](#) [600218](#) [510-26-6600-WH-0007F](#) [610230](#) [3010-10-003-13-00](#) [304-28-14-MC-0100F](#) [302-28-50-](#)
[GR-0100F](#) [3030-16-0102-00](#) [3221-10-0300-00](#) [304-28-16-MC-0100F](#) [610234](#) [302-28-37-GR-0100F](#) [800-12-32D-BL-0008F](#) [FM-215-8](#) [DL-](#)
[1006](#) [304-28-20-MC-0250F](#)