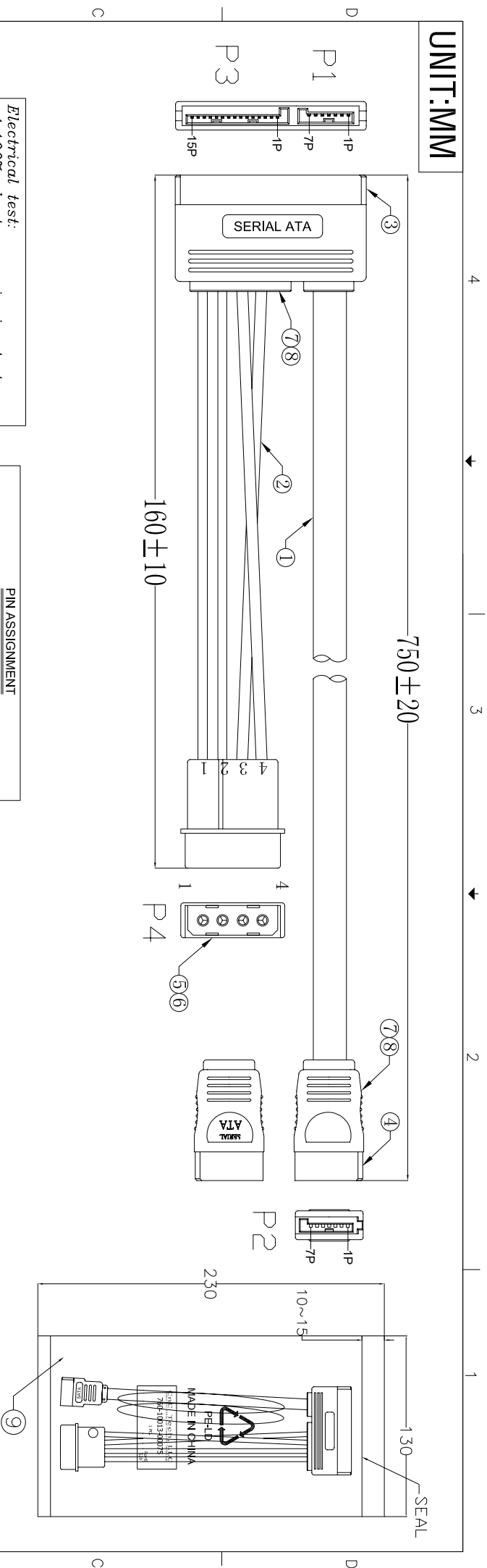
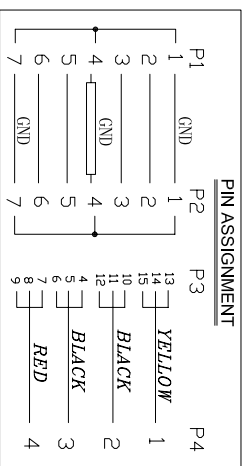


UNIT:MM



Electrical test:
 1. 100% short, open, miswire test
 2. Conduct resistance: 2 Ohm(max)
 3. Insulation resistance: 5Mohm(min)
 4. Hi-Pot test: DC 300V



⑩	PE BAG	1/10	CLEAR SIZE: 280*330*0.05mm PRINT BLACK ¹ MADE IN CHINA ² +*10PCS ³ 及在生产周期,有透气孔.
⑨	PE BAG	1	CLEAR SIZE: 130*230*0.05mm PRINT BLACK ¹ MADE IN CHINA ² +*1PC ³ 及在生产周期,有透气孔.
⑧	IN JACKET	8g	CLEAR HD-PE
⑦	OUT JACKET	13g	PVC 45P COLOR BLACK
⑥	TERMINAL	4	TERMINAL MALE HPH=5.08mm TIN-PLATED.
⑤	HOUSING	1	BIG 4PIN FEMALE HOUSING PH=5.08mm WHITE
④	CONN	1	SATA 7P/F CONNECTOR:CRIMP TYPE TERMINAL:15U ¹ INSULATOR:BLACK PBT
③	CONN	1	SATA 7P/F+15P/F CONNECTOR:CRIMP TYPE TERMINAL:15U ¹ INSULATOR:BLACK PBT
②	CABLE	1	UL1007 18AWG(41/0.16 TC) OD2.0mm JACKET YELLOW L140mm.
		2	UL1007 18AWG(41/0.16 TC) OD2.0mm JACKET BLACK L140mm.
①	CABLE	1	UL1007 18AWG(41/0.16 TC) OD2.0mm JACKET RED L140mm.
		1	UL2725 [26AWG(1/0.404)*2+D(1/0.32)*2+AL]*2F OD2.2*7.8mm JACKET RED(RD-16#) L735+10/-0mm.
NO.	NAME	Q'TY	SPECIFICATION

Cnc Tech, LLC
 Industrial Cable and Connector Technology

DRAWN BY	ZHONGHS	DRAWING NO.	
CHECKED BY		CUSTOMER	
APPROVAL BY		ITEM NO.	760-10013-00075
DECIDE BY		DATE	2012-02-16
VERSIONS/EDITION	A/0	PROJECTION	

X-ON Electronics

Largest Supplier of Electrical and Electronic Components

Click to view similar products for [cnc manufacturer](#):

Other Similar products are found below :

[741-20010-00500](#) [DL-5468](#) [2725-2828-01000-T](#) [300-30-40-GR-0250F](#) [743-60012-00300](#) [302-28-50-GR-0250F](#) [302-28-10-GR-0100F](#)
[3020-10-0300-00-TR](#) [FM-213-4](#) [FM-214-4](#) [302-28-26-GR-0250F](#) [302-28-40-GR-0250F](#) [304-28-26-MC-0250F](#) [304-28-40-MC-0250F](#)
[302-28-09-GR-0250F](#) [1002-003-02000](#) [302-28-37-GR-0250F](#) [302-28-25-GR-0250F](#) [3020-10-0300-00](#) [300-30-14-GR-0250F](#) [302-28-14-GR-](#)
[0250F](#) [300-30-04-GR-0250F](#) [300-30-26-GR-0250F](#) [304-28-16-MC-0250F](#) [304-28-26-MC-0100F](#) [302-28-10-GR-0250F](#) [800-1401-2-SJT0-](#)
[BL-00200](#) [300-30-20-GR-0250F](#) [304-28-14-MC-0250F](#) [800-1800-2-SVT0-BL-00100](#) [741-20010-01000](#) [CNC-99-16](#) [302-28-20-GR-0100F](#)
[302-28-26-GR-0100F](#) [304-28-40-MC-0100F](#) [600218](#) [510-26-6600-WH-0007F](#) [610230](#) [3010-10-003-13-00](#) [304-28-14-MC-0100F](#) [302-28-50-](#)
[GR-0100F](#) [3030-16-0102-00](#) [3221-10-0300-00](#) [304-28-16-MC-0100F](#) [610234](#) [302-28-37-GR-0100F](#) [800-12-32D-BL-0008F](#) [FM-215-8](#) [DL-](#)
[1006](#) [304-28-20-MC-0250F](#)