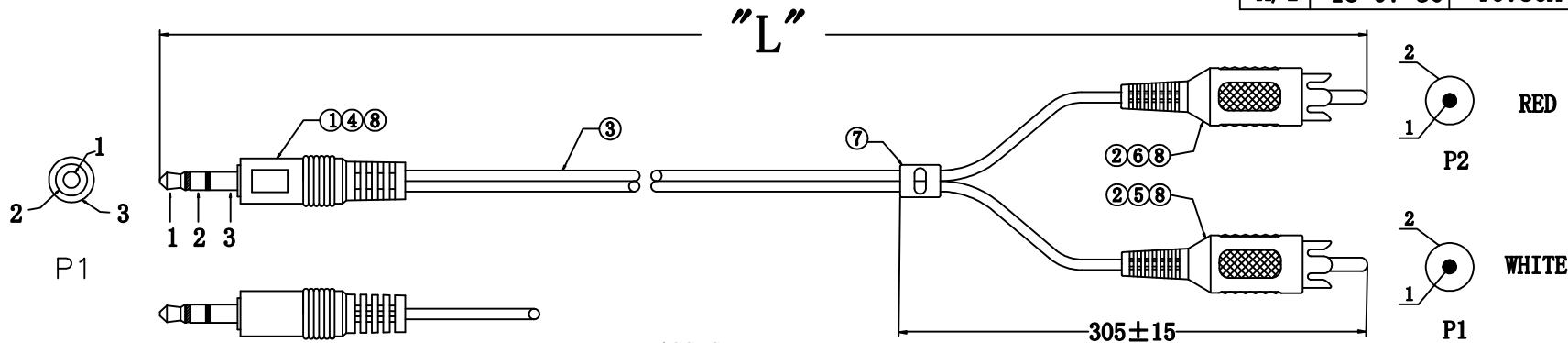


UNIT:MM

REVISION INFORMATION

Rev.	Rev. Date	Modified By	Brief Description
A/0	18-07-05	T0704B	NEW DRAWING
A/1	18-07-30	T0730A	Modify SR color code

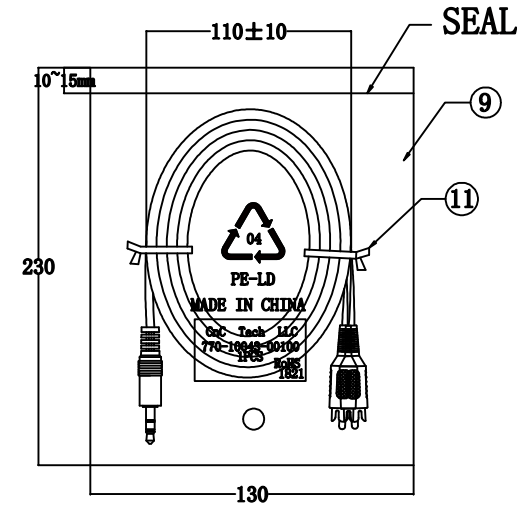


Electrical test:
 1. 100% short, open, miswire test
 2. Conduct resistance: 2 Ohm (max)
 3. Insulation resistance: 10Mohm (min)
 4. dielectric test: DC 300V

PIN ASSIGNMENT

P1	P2	P3	COLOR
1	1		RED
2		1	BLACK
3	2		DRAIN (RED)
		2	DRAIN (BLACK)

PART NO	WIRE LENGTH "L"	BUYER COLOR	VENDOR COLOR	CUT LENGTH
770-10043-00100	1000±50		BLACK	980-990MM



①	TIE	2	BLACK L=90MM
⑩	PE BAG	1/10	CLEAR SIZE: 280*330*0.05mm PRINT BLACK "MADE IN CHINA"+10PC"
⑨	PE BAG	1	CLEAR SIZE: 130*230*0.05mm PRINT BLACK "MADE IN CHINA"+1PC"
⑧	TUBE	3	HEAT SHRINK TUBE BLACK OD1.5*10mm
⑦	SR	1.0g	BLACK PVC 40P (Mould NO. :SR-048)
⑥	IN JACKET	0.8g	CLEAR LD-PE (Mould NO. :NM-006)
	OUT JACKET	3.3g	PVC-40P RED (R1-064) (Mould NO. :WM-009)
⑤	IN JACKET	0.8g	CLEAR LD-PE (Mould NO. :NM-006)
	OUT JACKET	3.3g	PVC-40P WHITE (W-166) (Mould NO. :WM-009)
④	OUT JACKET	3.0g	BLACK PVC-40P (Mould NO. :WM-020)
③	CABLE	1	NOUL [(0.12/7)+(30/0.12)]*2F JACKET BLACK OD2.8*5.6mm
②	CONN	2	RCA PLUG MALE BLOSSOM TYPE NI-PLATED INSULATOR COLOR: BROWN
①	CONN	1	3.5ST MALE Tray 6.0mm L=26mm MOLD TYPE NI-PLATED INSULATOR COLOR: BLACK
NO.	NAME	QTY	SPECIFICATION

CnC Tech, LLC
 Industrial Cable and Connector Technology

DRAWN BY:	DATE: 2018/07/30	DESCRIPTION: 2F CABLE DC3.5+RCAx2
CHECKED BY:	SHEET 1 of 1	ITEM NO. As above
APPROVED BY:	SCALE 1:1	REV. A/1

X-ON Electronics

Largest Supplier of Electrical and Electronic Components

Click to view similar products for [cnc manufacturer](#):

Other Similar products are found below :

[741-20010-00500](#) [DL-5468](#) [2725-2828-01000-T](#) [300-30-40-GR-0250F](#) [743-60012-00300](#) [302-28-50-GR-0250F](#) [302-28-10-GR-0100F](#)
[3020-10-0300-00-TR](#) [FM-213-4](#) [FM-214-4](#) [302-28-26-GR-0250F](#) [302-28-40-GR-0250F](#) [304-28-26-MC-0250F](#) [304-28-40-MC-0250F](#)
[302-28-09-GR-0250F](#) [1002-003-02000](#) [302-28-37-GR-0250F](#) [302-28-25-GR-0250F](#) [3020-10-0300-00](#) [300-30-14-GR-0250F](#) [302-28-14-GR-](#)
[0250F](#) [300-30-04-GR-0250F](#) [300-30-26-GR-0250F](#) [304-28-16-MC-0250F](#) [304-28-26-MC-0100F](#) [302-28-10-GR-0250F](#) [800-1401-2-SJT0-](#)
[BL-00200](#) [300-30-20-GR-0250F](#) [304-28-14-MC-0250F](#) [800-1800-2-SVT0-BL-00100](#) [741-20010-01000](#) [CNC-99-16](#) [302-28-20-GR-0100F](#)
[302-28-26-GR-0100F](#) [304-28-40-MC-0100F](#) [600218](#) [510-26-6600-WH-0007F](#) [610230](#) [3010-10-003-13-00](#) [304-28-14-MC-0100F](#) [302-28-50-](#)
[GR-0100F](#) [3030-16-0102-00](#) [3221-10-0300-00](#) [304-28-16-MC-0100F](#) [610234](#) [302-28-37-GR-0100F](#) [800-12-32D-BL-0008F](#) [FM-215-8](#) [DL-](#)
[1006](#) [304-28-20-MC-0250F](#)