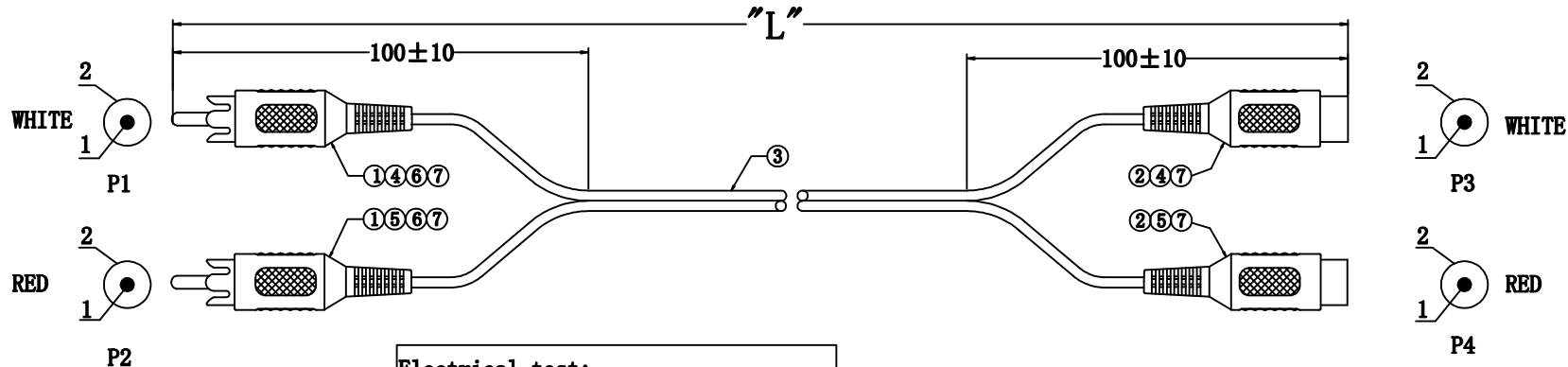


UNIT:MM

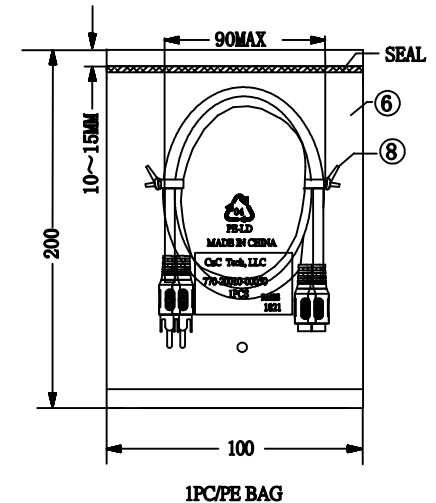
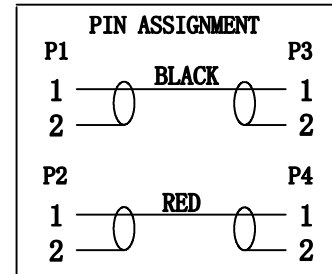
REVISION INFORMATION

Rev.	Rev. Date	Modified By	Brief Description
A/0	18-10-12	T1011A	NEW DRAWING



Electrical test:  
 1. 100% short, open, miswire test  
 2. Conduct resistance: 5 Ohm (max)  
 3. Insulation resistance: 10Mohm (min)  
 4. dielectric test: DC 300V

PART NO	WIRE LENGTH "L"	BUYER COLOR	VENDOR COLOR	CUT LENGTH
770-20010-00050	500±15		BLACK	500-505MM



NO.	NAME	QTY	SPECIFICATION
⑩	TIE	2	BLACK L=90MM
⑨	PE BAG	1/10	CLEAR SIZE: 230*300*0.05mm PRINT BLACK "MADE IN CHINA" + "1PCS"
⑧	PE BAG	1	CLEAR SIZE: 100*200*0.05mm PRINT BLACK "MADE IN CHINA" + "1PC"
⑦	TUBE	4	HEAT SHRINK TUBE BLACK OD1.5*10MM
⑥	IN JACKET	3.2g	CLEAR LD-PE (Mould NO. :NM-006)
⑤	OUT JACKET	6.6g	PVC-55P RED (R1-064) (Mould NO. WM-009)
④	OUT JACKET	6.6g	PVC-55P WHITE (W-166) (Mould NO. WM-009)
③	CABLE	1	NOUL 28# (0.12/7+30/0.12)*2F JACKET BLACK OD2.8*5.6mm
②	CONN	2	RCA PLUG FEMALE NI-PLATED INSULATOR COLOR: BROWN
①	CONN	2	RCA PLUG MALE BLOSSOM TYPE NI-PLATED INSULATOR COLOR: BROWN

**CnC Tech, LLC**  
 Industrial Cable and Connector Technology

DRAWN BY:	DATE: 2018/10/12	DESCRIPTION: 2F CABLE RCA/M*2+RCA/F*2
CHECKED BY:	SHEET 1 of 1	ITEM NO. As above
APPROVED BY:	SCALE 1:1	REV. A/0 UNIT: mm

## X-ON Electronics

Largest Supplier of Electrical and Electronic Components

*Click to view similar products for [cnc manufacturer](#):*

Other Similar products are found below :

[741-20010-00500](#) [DL-5468](#) [2725-2828-01000-T](#) [300-30-40-GR-0250F](#) [743-60012-00300](#) [302-28-50-GR-0250F](#) [302-28-10-GR-0100F](#)  
[3020-10-0300-00-TR](#) [FM-213-4](#) [FM-214-4](#) [302-28-26-GR-0250F](#) [302-28-40-GR-0250F](#) [304-28-26-MC-0250F](#) [304-28-40-MC-0250F](#)  
[302-28-09-GR-0250F](#) [1002-003-02000](#) [302-28-37-GR-0250F](#) [302-28-25-GR-0250F](#) [3020-10-0300-00](#) [300-30-14-GR-0250F](#) [302-28-14-GR-](#)  
[0250F](#) [300-30-04-GR-0250F](#) [300-30-26-GR-0250F](#) [304-28-16-MC-0250F](#) [304-28-26-MC-0100F](#) [302-28-10-GR-0250F](#) [800-1401-2-SJT0-](#)  
[BL-00200](#) [300-30-20-GR-0250F](#) [304-28-14-MC-0250F](#) [800-1800-2-SVT0-BL-00100](#) [741-20010-01000](#) [CNC-99-16](#) [302-28-20-GR-0100F](#)  
[302-28-26-GR-0100F](#) [304-28-40-MC-0100F](#) [600218](#) [510-26-6600-WH-0007F](#) [610230](#) [3010-10-003-13-00](#) [304-28-14-MC-0100F](#) [302-28-50-](#)  
[GR-0100F](#) [3030-16-0102-00](#) [3221-10-0300-00](#) [304-28-16-MC-0100F](#) [610234](#) [302-28-37-GR-0100F](#) [800-12-32D-BL-0008F](#) [FM-215-8](#) [DL-](#)  
[1006](#) [304-28-20-MC-0250F](#)