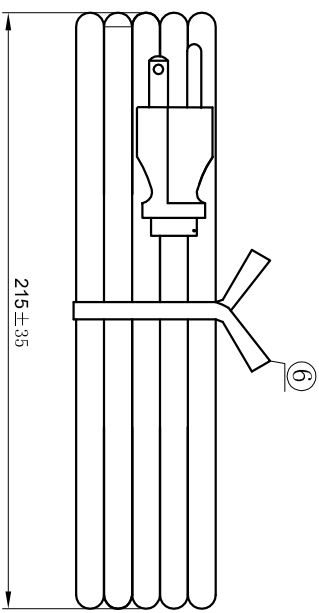
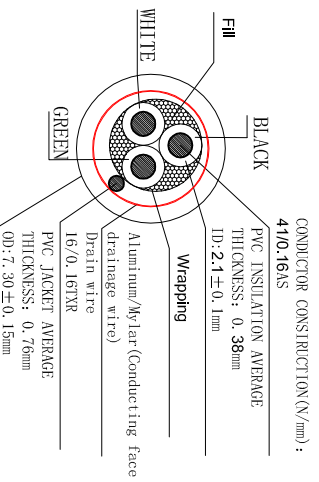
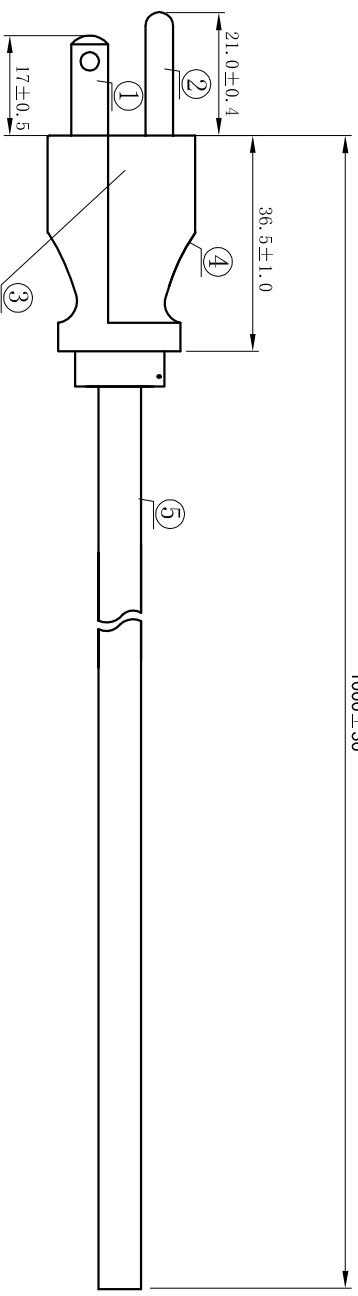
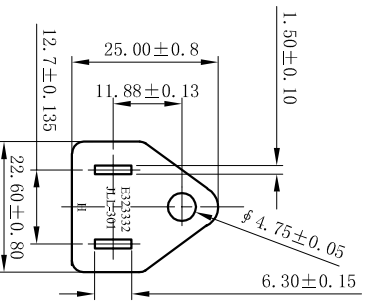


# CnC Tech, LLC

## Industrial Cable and Connector Technology

Engineer  
drawing

|             |                          |      |       |       |
|-------------|--------------------------|------|-------|-------|
| PART NO.    | JLL-301                  | WIRE | SCALE | 1 : 1 |
| DESCRIPTION | SVT#18*3C 105C SHIELDED  |      | UNIT: | mm    |
| DWG No.     | 800-1801-2-SVT0-BL-00100 |      |       |       |



CONDUCTOR CONSTRUCTION (N/mm):  
41/0.16AS

- NOTES:
- 1) JACKET COLOR: BLACK
  - 2). E-GREEN; L-BLACK; N-WHITE
- TESTING:
- 1) 100% OPEN & SHORT TESTING
  - 2) INSULATION RESISTANCE: 100M ohm (min)
  - 3) VOLTAGE: DC500V/1min
  - 4) ROHS COMPLIANT

| NO. | SPECIFICATION            | COLOUR | MATERIAL | AMOUNT |
|-----|--------------------------|--------|----------|--------|
| ①   | Load terminals 98861     | Silver | Cu       | 2P     |
| ②   | Grounding terminal 97475 | Silver | Cu       | 1P     |
| ③   | Model aircraft 8661AW-3P | WHITE  | PBT      | 1PCS   |
| ④   | Plug JLL-301             | BLACK  | PVC Cu   | 1PCS   |
| ⑤   | Wire SVT 18AWG/3C 105°   | BLACK  | PVC Cu   | 1PCS   |
| ⑥   | Ties                     | BLACK  |          | 1PCS   |

Printing the contents of wire The use of printing ink replenish Wire

E213929 (UL) SVT 3X18AWG(0.824mm<sup>2</sup>) W=1 SHIELDED 105 C 300V CSA 228191  
SVT 3X18AWG(0.824mm<sup>2</sup>) F12 SHIELDED 105 C 300V -1P-

## X-ON Electronics

Largest Supplier of Electrical and Electronic Components

*Click to view similar products for [cnc manufacturer](#):*

Other Similar products are found below :

[741-20010-00500](#) [DL-5468](#) [2725-2828-01000-T](#) [300-30-40-GR-0250F](#) [743-60012-00300](#) [302-28-50-GR-0250F](#) [302-28-10-GR-0100F](#)  
[3020-10-0300-00-TR](#) [FM-213-4](#) [FM-214-4](#) [302-28-26-GR-0250F](#) [302-28-40-GR-0250F](#) [304-28-26-MC-0250F](#) [304-28-40-MC-0250F](#)  
[302-28-09-GR-0250F](#) [1002-003-02000](#) [302-28-37-GR-0250F](#) [302-28-25-GR-0250F](#) [3020-10-0300-00](#) [300-30-14-GR-0250F](#) [302-28-14-GR-](#)  
[0250F](#) [300-30-04-GR-0250F](#) [300-30-26-GR-0250F](#) [304-28-16-MC-0250F](#) [304-28-26-MC-0100F](#) [302-28-10-GR-0250F](#) [800-1401-2-SJT0-](#)  
[BL-00200](#) [300-30-20-GR-0250F](#) [304-28-14-MC-0250F](#) [800-1800-2-SVT0-BL-00100](#) [741-20010-01000](#) [CNC-99-16](#) [302-28-20-GR-0100F](#)  
[302-28-26-GR-0100F](#) [304-28-40-MC-0100F](#) [600218](#) [510-26-6600-WH-0007F](#) [610230](#) [3010-10-003-13-00](#) [304-28-14-MC-0100F](#) [302-28-50-](#)  
[GR-0100F](#) [3030-16-0102-00](#) [3221-10-0300-00](#) [304-28-16-MC-0100F](#) [610234](#) [302-28-37-GR-0100F](#) [800-12-32D-BL-0008F](#) [FM-215-8](#) [DL-](#)  
[1006](#) [304-28-20-MC-0250F](#)