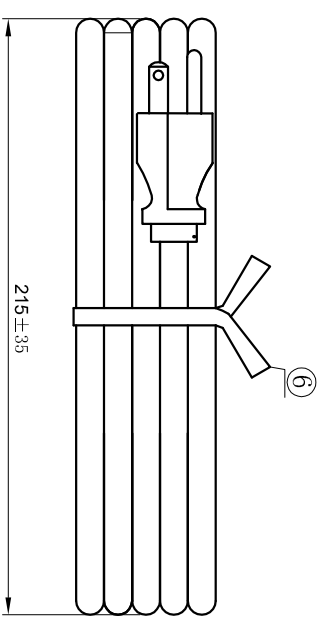
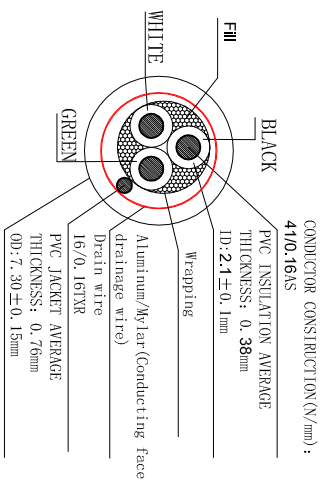
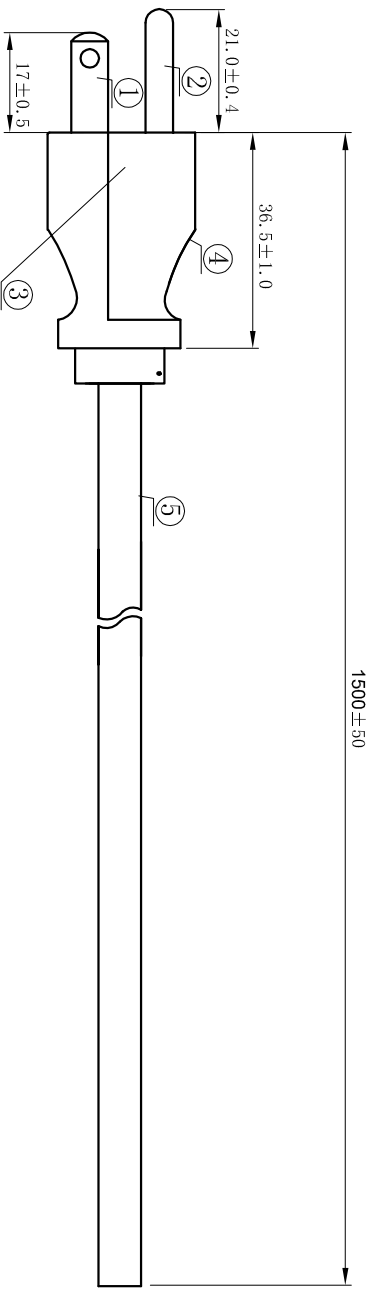
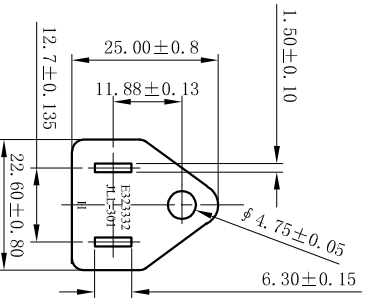


CnC Tech, LLC

Industrial Cable and Connector Technology

Engineer
drawing

| | | | | |
|-------------|--------------------------|------|-------|-------|
| PART NO. | JLL-301 | WIRE | SCALE | 1 : 1 |
| DESCRIPTION | SVT#18*3C 105C SHIELDED | | UNIT: | mm |
| DWG No. | 800-1801-2-SVT0-BL-00150 | | | |



CONDUCTOR CONSTRUCTION (N/mm):
41/0.16AS

- NOTES:
- 1) JACKET COLOR: BLACK
 - 2). E-GREEN ; L-BLACK ; N-WHITE
- TESTING:
- 1) 100% OPEN & SHORT TESTING
 - 2) INSULATION RESISTANCE: 100M ohm (min)
 - 3) VOLTAGE: DC500V/1min
 - 4) ROHS COMPLIANT

| NO. | SPECIFICATION | COLOUR | MATERIAL | AMOUNT |
|-----|--------------------------|--------|----------|--------|
| ① | Load terminals 98861 | Silver | Cu | 2P |
| ② | Grounding terminal 97475 | Silver | Cu | 1P |
| ③ | Model aircraft 8661AW-3P | WHITE | PBT | 1PCS |
| ④ | Plug JLL-301 | BLACK | PVC Cu | 1PCS |
| ⑤ | Wire SVT 18AWG/3C 105° | BLACK | PVC Cu | 1PCS |
| ⑥ | Ties | BLACK | | 1PCS |

Printing the contents of wire The use of printing ink replenish Wire

E213929 (UL) SVT 3X18AWG(0.824mm²) W=1 SHIELDED 105°C 300V CSA 228191
SVT 3X18AWG(0.824mm²) F12 SHIELDED 105°C 300V -1P-

X-ON Electronics

Largest Supplier of Electrical and Electronic Components

Click to view similar products for [cnc manufacturer](#):

Other Similar products are found below :

[741-20010-00500](#) [DL-5468](#) [2725-2828-01000-T](#) [300-30-40-GR-0250F](#) [743-60012-00300](#) [302-28-50-GR-0250F](#) [302-28-10-GR-0100F](#)
[3020-10-0300-00-TR](#) [FM-213-4](#) [FM-214-4](#) [302-28-26-GR-0250F](#) [302-28-40-GR-0250F](#) [304-28-26-MC-0250F](#) [304-28-40-MC-0250F](#)
[302-28-09-GR-0250F](#) [1002-003-02000](#) [302-28-37-GR-0250F](#) [302-28-25-GR-0250F](#) [3020-10-0300-00](#) [300-30-14-GR-0250F](#) [302-28-14-GR-](#)
[0250F](#) [300-30-04-GR-0250F](#) [300-30-26-GR-0250F](#) [304-28-16-MC-0250F](#) [304-28-26-MC-0100F](#) [302-28-10-GR-0250F](#) [800-1401-2-SJT0-](#)
[BL-00200](#) [300-30-20-GR-0250F](#) [304-28-14-MC-0250F](#) [800-1800-2-SVT0-BL-00100](#) [741-20010-01000](#) [CNC-99-16](#) [302-28-20-GR-0100F](#)
[302-28-26-GR-0100F](#) [304-28-40-MC-0100F](#) [600218](#) [510-26-6600-WH-0007F](#) [610230](#) [3010-10-003-13-00](#) [304-28-14-MC-0100F](#) [302-28-50-](#)
[GR-0100F](#) [3030-16-0102-00](#) [3221-10-0300-00](#) [304-28-16-MC-0100F](#) [610234](#) [302-28-37-GR-0100F](#) [800-12-32D-BL-0008F](#) [FM-215-8](#) [DL-](#)
[1006](#) [304-28-20-MC-0250F](#)