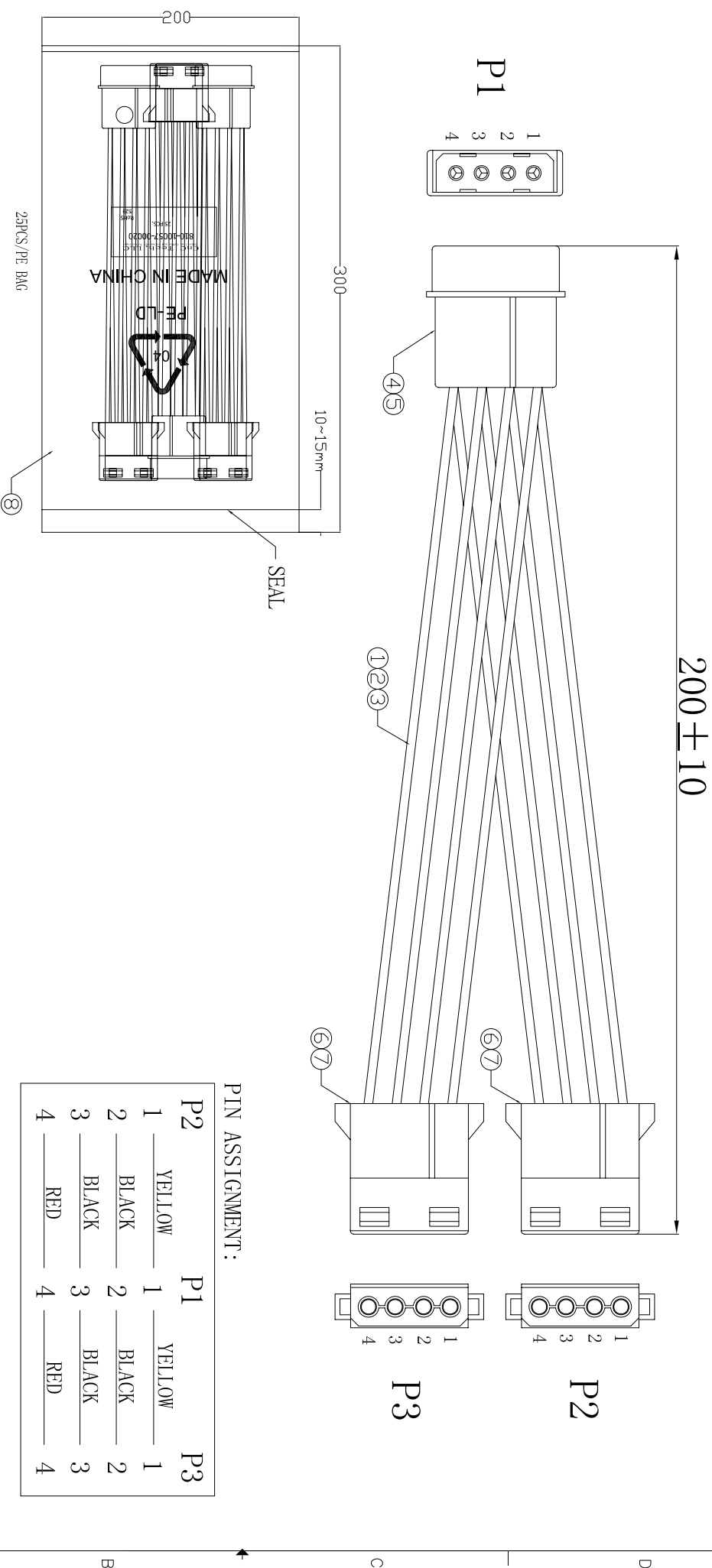


UNIT:MM



PIN ASSIGNMENT:

P2	P1	P3
1 — YELLOW	1 — YELLOW	1
2 — BLACK	2 — BLACK	2
3 — BLACK	3 — BLACK	3
4 — RED	4 — RED	4

⑧	PE BAG	1/25	CLEAR SIZE:200*300*0.05mm PRINT BLACK"MADE IN CHINA"+"25PCS" 及印生产周期,有透气孔.
⑦	TER	8	BIG 4PIN FEMALE TERMINAL PH=5.08mm MATERIAL:BRASSB TIN-PLATED
⑥	HSG	2	BIG 4PIN MALE HOUSING PH5.08mm INSULATOR WHITE.
⑤	TER	4	BIG 4PIN MALE TERMINAL PH=5.08mm MATERIAL:BRASSB TIN-PLATED(高脚双铜18AWG线).
④	HSG	1	BIG 4PIN HOUSING FEMALE PH5.08mm INSULATOR WHITE.
③	CABLE	2	RED UL1007 18AWG(34/0.16) OD2.0 L=180+1/-0mm.
②	CABLE	4	BLACK UL1007 18AWG(34/0.16) OD2.0 L=180+1/-0mm.
①	CABLE	2	YELLOW UL1007 18AWG(34/0.16) OD2.0 L=180+1/-0mm.
NO.	NAME	QTY	SPECIFICATION

Cnc Tech, LLC
Industrial Cable and Connector Technology

DRAWN BY	ZHONGHS	DRAWING NO.	
CHECKED BY		CUSTOMER	
APPROVAL BY		ITEM NO.	810-10057-00020
DECIDE BY		DATE	2012-02-06
VERSIONS/EDITEEN	A/0	PROJECTION	

X-ON Electronics

Largest Supplier of Electrical and Electronic Components

Click to view similar products for [cnc manufacturer](#):

Other Similar products are found below :

[741-20010-00500](#) [DL-5468](#) [2725-2828-01000-T](#) [300-30-40-GR-0250F](#) [743-60012-00300](#) [302-28-50-GR-0250F](#) [302-28-10-GR-0100F](#)
[3020-10-0300-00-TR](#) [FM-213-4](#) [FM-214-4](#) [302-28-26-GR-0250F](#) [302-28-40-GR-0250F](#) [304-28-26-MC-0250F](#) [304-28-40-MC-0250F](#)
[302-28-09-GR-0250F](#) [1002-003-02000](#) [302-28-37-GR-0250F](#) [302-28-25-GR-0250F](#) [3020-10-0300-00](#) [300-30-14-GR-0250F](#) [302-28-14-GR-](#)
[0250F](#) [300-30-04-GR-0250F](#) [300-30-26-GR-0250F](#) [304-28-16-MC-0250F](#) [304-28-26-MC-0100F](#) [302-28-10-GR-0250F](#) [800-1401-2-SJT0-](#)
[BL-00200](#) [300-30-20-GR-0250F](#) [304-28-14-MC-0250F](#) [800-1800-2-SVT0-BL-00100](#) [741-20010-01000](#) [CNC-99-16](#) [302-28-20-GR-0100F](#)
[302-28-26-GR-0100F](#) [304-28-40-MC-0100F](#) [600218](#) [510-26-6600-WH-0007F](#) [610230](#) [3010-10-003-13-00](#) [304-28-14-MC-0100F](#) [302-28-50-](#)
[GR-0100F](#) [3030-16-0102-00](#) [3221-10-0300-00](#) [304-28-16-MC-0100F](#) [610234](#) [302-28-37-GR-0100F](#) [800-12-32D-BL-0008F](#) [FM-215-8](#) [DL-](#)
[1006](#) [304-28-20-MC-0250F](#)