

产品承认书

SPECIFICATION FOR APPROVAL

CUSTOMER:	_____
CUSTOMER P/N:	_____
JXD P/N. :	10CLD106415MH
DESCRIPTION:	Magnetic ring inductance
REF NO:	QTC-001
REV/NO:	A/0
DATE:	2022/12/16

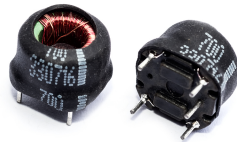
ATTACHMENT:			
<input checked="" type="checkbox"/>	SPECIFICATION		
<input checked="" type="checkbox"/>	SAMPLE	Q'TY OF SAMPLES	PCS

	√	CUSTOMER'S SIGNATURE	REMARK
FULL APPROVED			
CONDITIONAL APPROVED			
REJECTED			

CND-TEK

10CLD106415MH

Magnetic ring inductance



V1.0 Dec 16,2022

CND-TEK

深圳磁联达电子有限公司

Shenzhen CND-TEK Electronics Co.,Ltd

公司地址: 深圳市南山区西丽镇街道百旺社区牛城村牛城路221号505

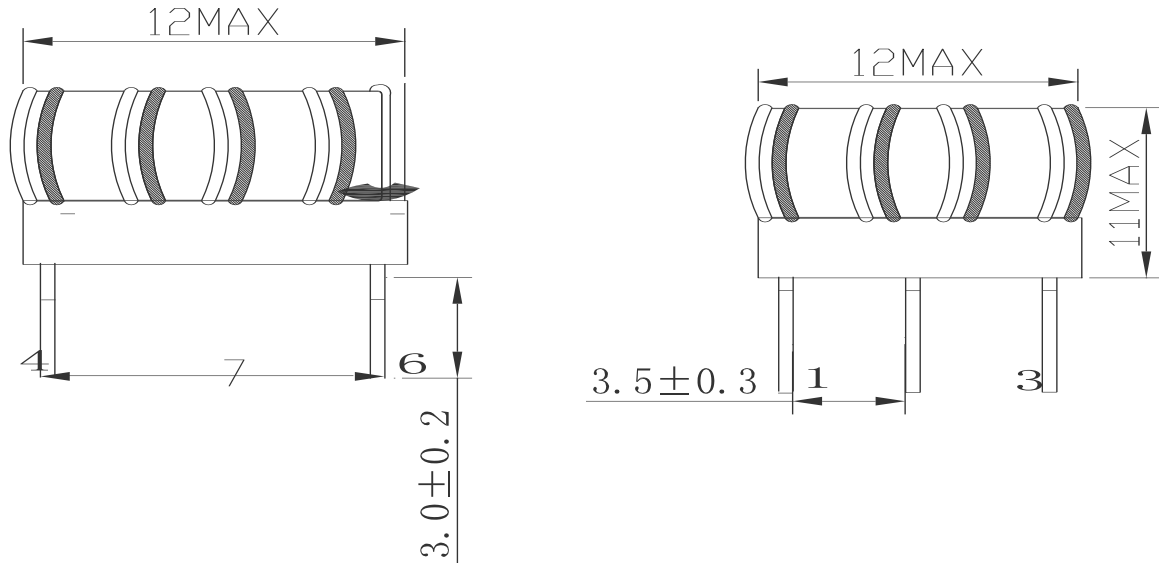
TEL: 86-755-29016433 FAX:86- 755-27652977

Email: sales2@cd-tek.com

Http: //www.cd-tek.com

1.CONFIGURATION & DIMENSIONS

(UNIT:mm) PROJECT:



公差: 未注公差±0.3mm

- 1.引脚长度从底座底部凸点开始算
- 2.双线并绕, 绕线均匀
- 3.外套Ø11*9.5MM黑色的热缩套管

DRAWN BY:	CHECKED BY:	APPROVED BY:	CUSTOMER:
zouwenqiang	Liyonghua	wangshengli	PART NO. : 10CLD106415MH

CND-TEK

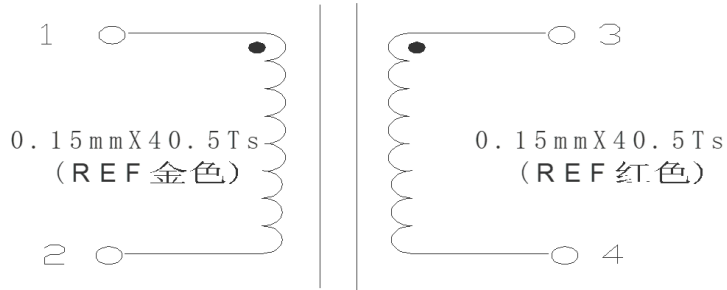
深圳磁联达电子有限公司

REV. : A0

PAGE: 4 OF 7

CND-QTC-001

2. SCHEMATIC



3.WINDING SPECIFICATION:

WDG.	WIRE		TURNS	START---FINISH	COLOR
N1	2UEW-0.15金色		40.5TS	1-----6	双线并绕
N2	2UEW-0.15红色		40.5TS	3-----4	

4. ELECTRICAL CHARACTERISTICS:

ITEM		SPECIFICATION	
1) Inductance 1KHz,0.25Vrms @25°C	L1-6	10MH MIN	1062测试仪
	L3-4	10MH MIN	
2) HI-POT TEST@50Hz/60Hz			425耐压仪

DRAWN BY:	CHECKED BY:	APPROVED BY:	CUSTOMER:
zouwenqiang	Liyonghua	wangshengli	PART NO. :10CLD106415MH
 深圳磁联达电子有限公司			REV.: A1
			PAGE: 5 OF 7

5.ELECTRIC TEST

INDCTANCE TEST:L(S-F)10MHMIN 25度 1KHZ 0.25V

序号\脚位	L1-2	L3-4							
1	15.20	15.20							
2	18.10	18.10							
3	15.80	15.80							
4	20.40	20.40							
5	24.30	24.30							

NO.	1	2	3	4	5			
DCR TEST:								
R (S-F)								

HI-POT TEST: /								
	OK	OK	OK	OK	OK			

6.OUTER DIMENSIONS:外观尺寸

A: 12MAX	11.52	11.55	11.48	11.64	11.53				
B: 11MAX	8.95	8.79	8.96	8.92	8.89				

DRAWN BY:	CHECKED BY:	APPROVED BY:	CUSTOMER:
zouwenqiang	Liyonghua	wangshengli	PART NO. : 10CLD106415MH

CND-TEK

深圳磁联达电子有限公司

REV. : A0

PAGE: 6 OF 7

CND-QTC-001

7.MATERIAL LIST

ITEM	MATERIAL				MANUFACTURER
1) IRON CORE	锰芯T10*6*4				FUSIYUAN,ELECTRONIC CO.,LTD ZHAOQING
2) MAGNT WIRE	2UEW-0.15金色				SHANTOUSHENGANG ELECTRIC WIRE & CABLE CO.,LTD.
	2UEW-0.15红色				SHENGANG TECHNOLOGY CO.,LTD
4)SOLDERBAR	Sn99.90				SHENZHENDECHANG& RI-XHENG XEIEI CEAND TECH MOLOGY CO.,LTD
5)BOBEN	BZ-005底座				DONGWANGUDE BEIZENG &HEMICAL CO.,LTD

REPORT BY:

CHECKED BY:

APPROVED BY:

CUSTOMER:

zouwenqiang

Liyonghua

wangshengli

PART NO. : 10CLD106415MH

CND-TEK

深圳磁联达电子有限公司

REV. : A

PAGE: 7 OF 7

CND-QTC-001

X-ON Electronics

Largest Supplier of Electrical and Electronic Components

Click to view similar products for [Fixed Inductors](#) category:

Click to view products by [CND-tek](#) manufacturer:

Other Similar products are found below :

[CR32NP-100KC](#) [70F224AI](#) [MHQ1005P10NJ](#) [MHQ1005P1N0S](#) [MHQ1005P2N4S](#) [MHQ1005P3N6S](#) [MHQ1005P5N1S](#) [MHQ1005P8N2J](#)
[PE-53601NL](#) [PE-53602NL](#) [PG0936.113NLT](#) [9220-20](#) [9310-16](#) [PM06-2N7](#) [PM06-39NJ](#) [A01TK](#) [1206CS-471XJ](#) [HC2-R47-R](#) [HC8-1R2-R](#)
[HCF1305-3R3-R](#) [1206CS-151XG](#) [RCH664NP-4R7M](#) [RCP1317NP-391L](#) [DH2280-4R7M](#) [DS1608C-106](#) [B10TJ](#) [B82498B3101J000](#) [ELJ-](#)
[RE27NJF2](#) [1812CS-153XJ](#) [1812CS-183XJ](#) [1812CS-223XJ](#) [1812LS-104XJ](#) [1812LS-105XJ](#) [1812LS-124XJ](#) [1812LS-154XJ](#) [1812LS-223XJ](#)
[1812LS-224XJ](#) [1812LS-563XJ](#) [1812LS-683XJ](#) [1812LS-824XJ](#) [NIN-FB101JTR110F](#) [NIN-FB471JTR62F](#) [NIN-FC1R5JTR220F](#) [NIN-](#)
[HCR15JTRF](#) [NIN-HCR33JTRF](#) [NIN-HDR22JTRF](#) [NIN-HDR82JTRF](#) [NIN-HK2N7STRF](#) [NIN-PA150KTR370F](#) [NIN-PB100KTR550F](#)