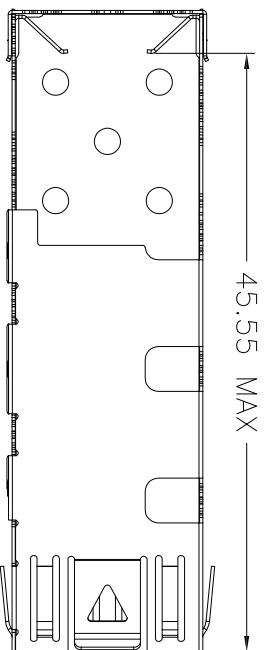
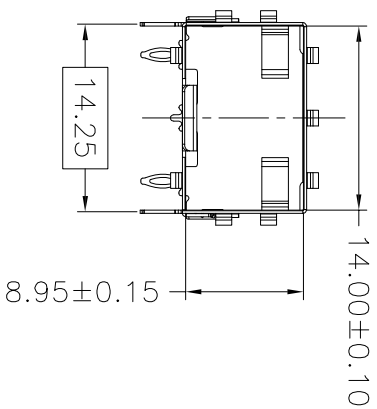
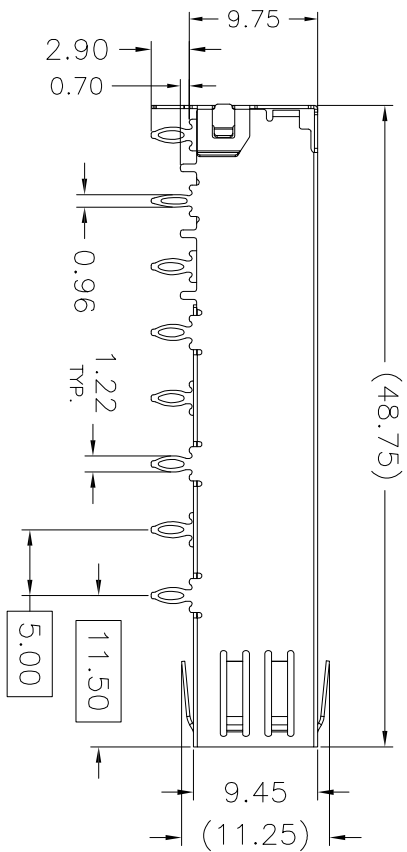
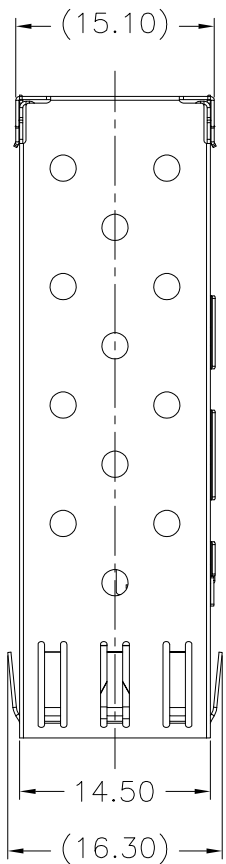


MECHANICAL DIMENSION



NOTES:

- 1. MATERIAL: STAINLESS STEEL, NI-PLATED
- 2. PACKAGING: TRAY PACKAGING
- 3. TEMPERATURE RANGE: -55°C TO +85°C

THIRD ANGLE PROJECTION

CND-TEK
 深圳磁球达电子有限公司
 Shen zhen cnd-tek Electronics Co., Ltd
 Web: <http://www.cd-tek.com>

DID NOT SCALE DRAWING
 DRAWING IS SUBJECT TO
 CHANGE WITHOUT NOTICE

TITLE
 SFP+ 1X1 CAGE

DIMENSIONS: mm(INCH)
 .X40.20 :XXX40.10
 .XX40.15

PART NO
 201N1Y02001

Product: PCB JACK R445 RJ45 USB
 CONNECTOR SFP CONNECTOR TRANSFORMER

SHEET NO.
 1 OF 4

DRW BY: TDNY DATE: 07-01-22
 APPD BY: JIM DATE: 07-01-22
 DWG NO: SFP10014 REV: A10

DATE	REV	ECN	APP'D BY



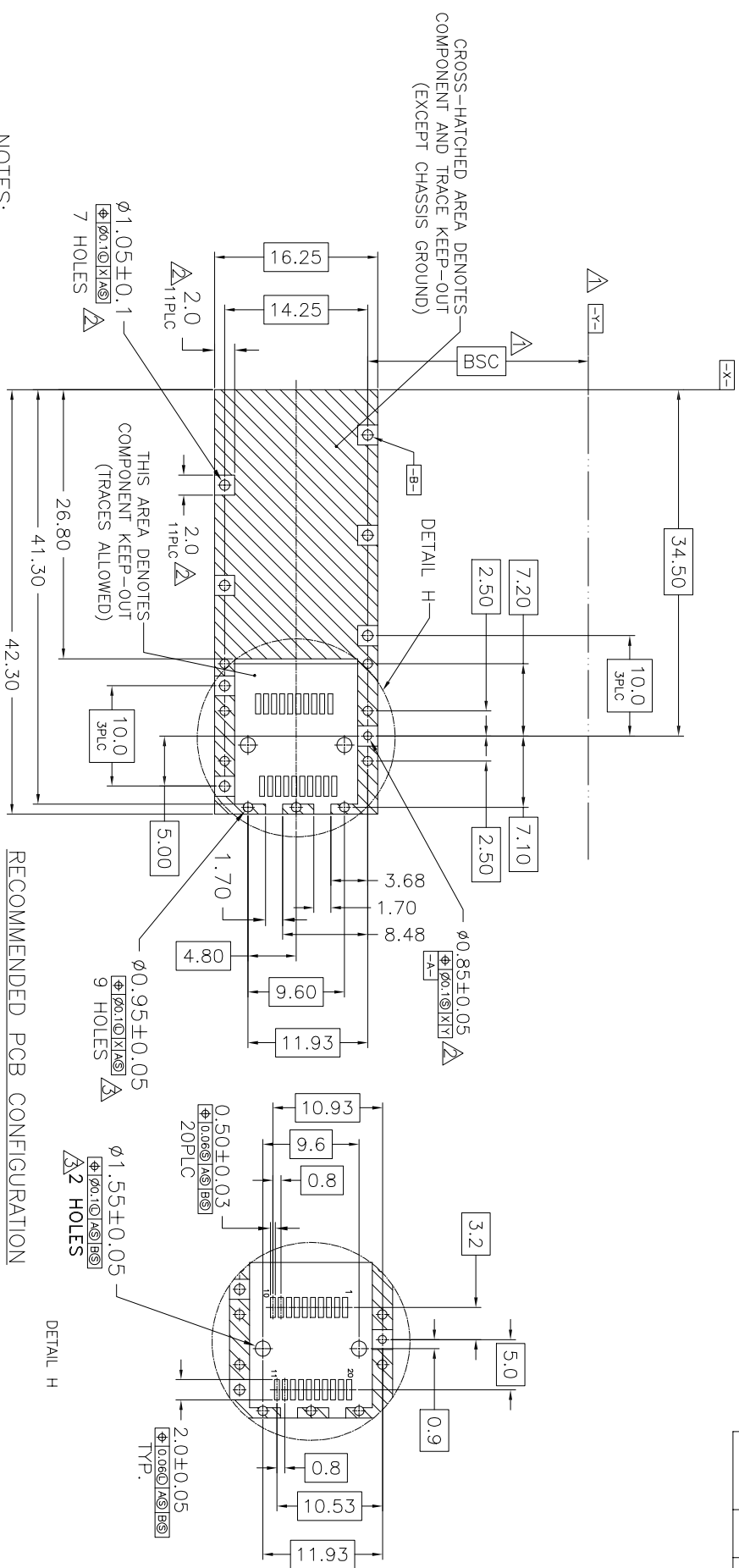
A

B

A

B

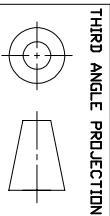
MECHANICAL DIMENSION



NOTES:

1. DATUM AND BASIC DIMENSIONS ESTABLISHED BY CUSTOMER
2. PADS AND VIAS ARE CHASSIS GROUND, 11 PLACES
3. THRU HOLES, PLATING OPTIONAL

RECOMMENDED PCB CONFIGURATION



THIRD ANGLE PROJECTION

深圳磁球达电子有限公司
Shen Zhen cand-tek Electronics Co., Ltd
Web: <http://www.cd-tek.com>

DID NOT SCALE DRAWING
DRAWING IS SUBJECT TO
CHANGE WITHOUT NOTICE

TITLE
SFP+ 1X1 CAGE

DIMENSIONS: mm(INCH)

PART NO
201N1Y02001

.X40.20 .XXX40.10

Product: PCB JACK R445 RJ45 USB
CONNECTOR SFP CONNECTOR TRANSFORMER

SHEET NO. 2 OF 4

DRW BY: TDNY DATE: 07-01-22

APPD BY: JIM DATE: 07-01-22

DWG NO: SFP10014

REV: A10



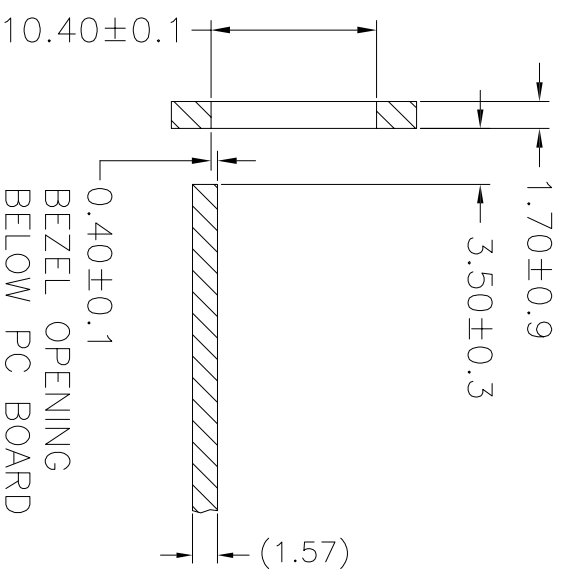
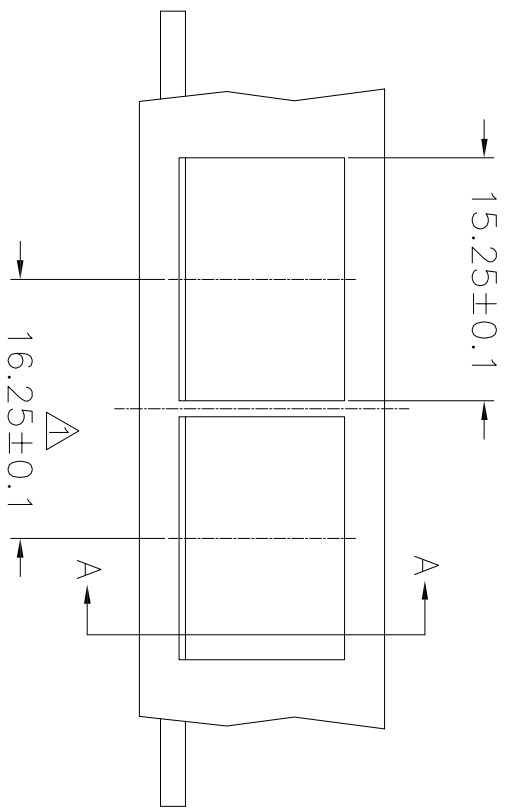
DATE	REV	ECN	APP'D BY

2

1

MECHANICAL DIMENSION

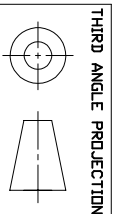
DATE	REV	ECN	APP'D BY



RECOMMENDED BEZEL DESIGN

SECTION A-A

NOTES:
 ▲ MINIMUM PITCH ILLUSTRATED, ENGLISH DIMENSIONS ARE FOR REFERENCE ONLY



深圳磁联达电子有限公司
 Shen zhen cnd-tek Electronics Co., Ltd
 Web: <http://www.cd-tek.com>

THIRD ANGLE PROJECTION		TITLE		DATE:	
DID NOT SCALE DRAWING		SFP+ 1X1 CAGE		07-01-22	
DRAWING IS SUBJECT TO CHANGE WITHOUT NOTICE		PART NO:		APP'D BY:	
DIMENSIONS: mm(INCH)		201N1Y02001		TJNYY	
.X±0.20 .XXX±0.10		Product: PCB JACK R445 R411 USB		DATE:	
.XXX±0.15		CONNECTOR SFP CONNECTOR TRANSFORMER		07-01-22	
SHEET NO:		DRW BY:		DVG NO:	
3 OF 4		JIM		SFP10014	
				REV:	
				A10	

A

B

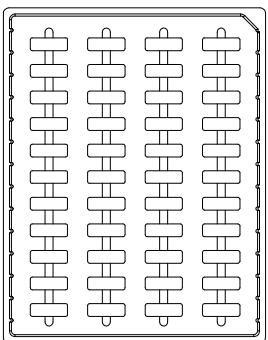
A

B

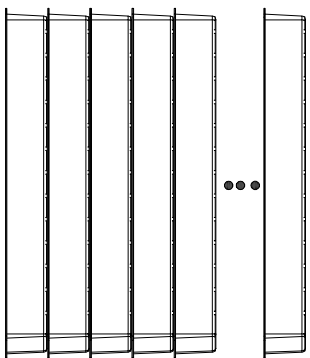
2

1

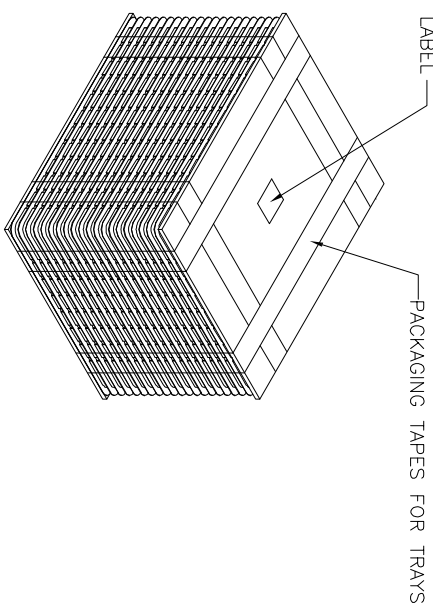
PACKAGE INFORMATION AND LABEL



1. PRODUCTS IN TRAYS

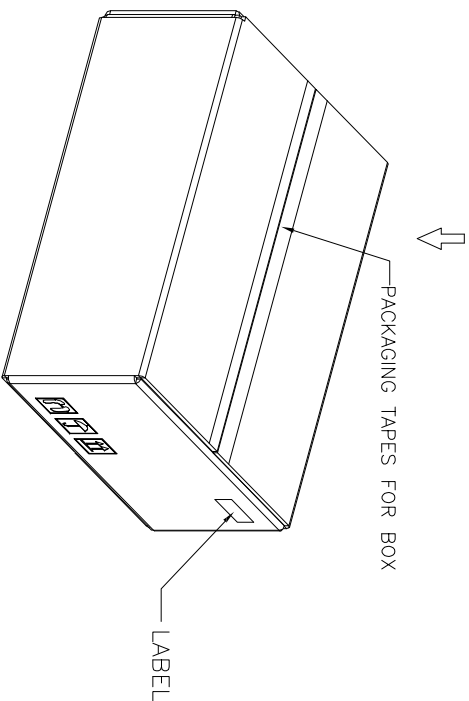


2. TRAYS OVERLAY:
(THE NEXT TRAY NEED ROTATE 180 DEGREE AND PUT IT ON PREVIOUS TRAY)
(相邻两个吸塑间水平方向成180度摆放)

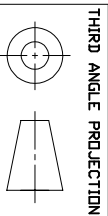


3. LABEL & PACKAGING TAPES FOR TRAYS:

PACKAGING LISTS	
ITEM	Q'TY
PRODUCT	572 PCS
TRAY	44 PCS
BOX(L340*W265*H200MM)	1 PCS
LABLE	2 PCS
PACKAGING TAPES	13 M (ABOUT)



4. LABEL & PACKAGING TAPES FOR BOX



THIRD ANGLE PROJECTION
DID NOT SCALE DRAWING
DRAWING IS SUBJECT TO CHANGE WITHOUT NOTICE

DIMENSIONS: mm(INCH)
.X40.20 .XXX40.10
.XX40.15
SHEET NO. 4 OF 4

CND-TEK
深圳磁球达电子有限公司
Shen zhen cnd-tek Electronics Co., Ltd
Web: <http://www.cd-tek.com>

TITLE		PART NO		DRW BY:		DATE:	
SFP+ 1X1 CAGE		201N1Y02001		TDNY		07-01-22	
Product: PCB JACK RJ45 RJ11 USB CONNECTOR SFP CONNECTOR TRANSFORMER		APPD BY: JIM		DATE: 07-01-22		REV: A10	
SHEET NO. 4 OF 4		DWG NO. SFP10014					



X-ON Electronics

Largest Supplier of Electrical and Electronic Components

Click to view similar products for [Modular Connectors](#) / [Ethernet Connectors](#) category:

Click to view products by [CND-tek](#) manufacturer:

Other Similar products are found below :

[8949-H88/06BLKA/SN](#) [74441-0010/BKN](#) [PHP-6P6C-5](#) [GAX-3-66](#) [GDCX-PN-66](#) [GLX-A-44](#) [GLX-N-1010M-BLK](#) [GLX-S-88M-BLK](#)
[GMX-SMT4-N-88](#) [GSGX-N-2-88](#) [GSGX-N-4-88](#) [GSX-NS2-88-3.05](#) [GSX-NS-88-3.68](#) [PT-108A-8C-UL](#) [PTS-J531-8CS-50UL](#) [A-2014-0-4](#)
[GWLX-S9-88-YG](#) [DC-1021-8-WH-6](#) [1300530003](#) [1324640-4](#) [132764-001](#) [1413235](#) [MPS88RX-5000](#) [E5288-S000K3-L](#) [155302-001](#)
[AX101050](#) [AX101063](#) [AX101065](#) [AX101072](#) [AX101307](#) [AX101315](#) [AX101318](#) [AX102271](#) [AX102277](#) [AX102651](#) [AX102660](#) [AX104024](#)
[203475](#) [PC4D0018P](#) [KIT38082NI](#) [8949-B88/6](#) [2-6609208-5](#) [30-8956](#) [30-8964-100](#) [SM85](#) [SM99S01VBNN04G7](#) [17-103540](#) [191587](#) [PDI-68-RV](#) [PHP-8P8C-S-5](#)