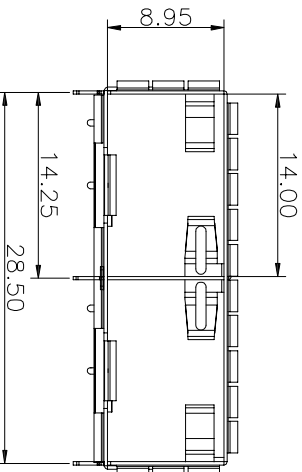
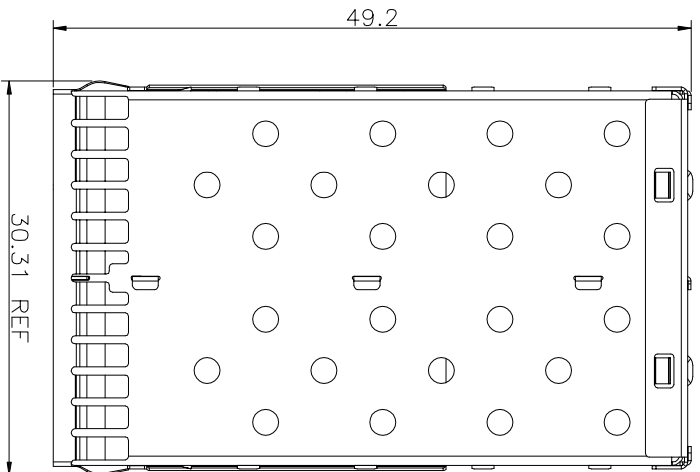
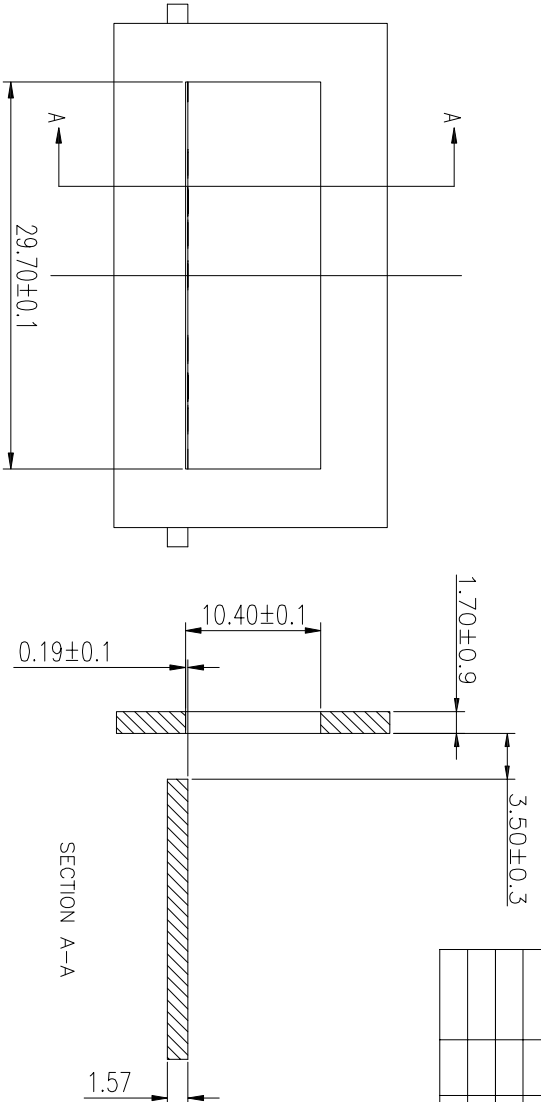


2

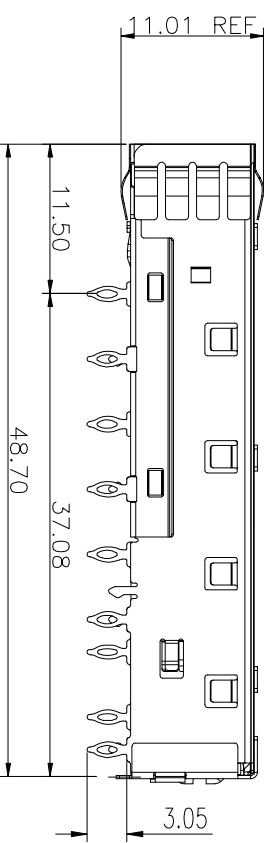


- NOTES:
1. MATERIAL: COPPER ALLOY, THICKNESS 0.25mm
 2. PACKAGING: TRAY PACKAGING
 3. TEMPERATURE RANGE: OPERATION: -40°C TO +85°C STORAGE: -55°C TO +105°C

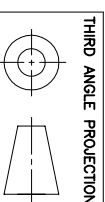
1



RECOMMENDED BEZEL DESIGN



DATE	REV	ECN	APP'D.



THIRD ANGLE PROJECTION

CND-TEK

深圳磁联达电子有限公司
Shen zhen cnd-tek Electronics Co., Ltd
Web: <http://www.cd-tek.com>

DO NOT SCALE DRAWING	TITLE	DRW BY:	DATE:
DRAWING IS SUBJECT TO CHANGE WITHOUT NOTICE	SFP + 1X2 CAGE	TONY	12-10-08
DIMENSIONS: mm(INCH)	PART NO:	APP'D BY:	DATE:
.XX±0.15 .XXX±0.10	A102N3200200N	JIM	9-23-09
SHEET NO. 1 OF 3	Product: PCB JACK RJ45 RJ11 USB CONNECTOR SFP CONNECTOR TRANSFORMER	DWG NO: SFP10025	REV: A10

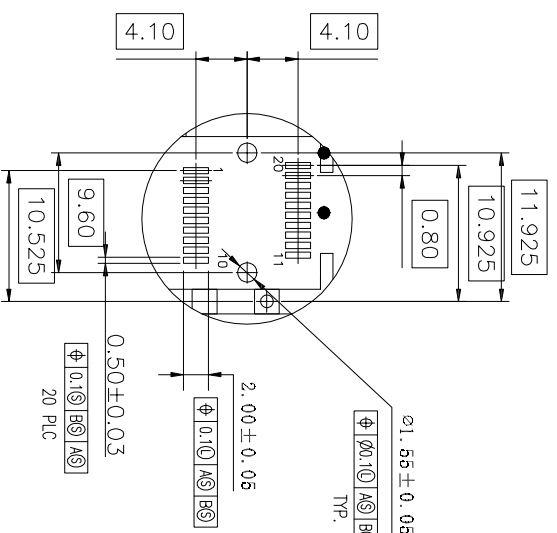
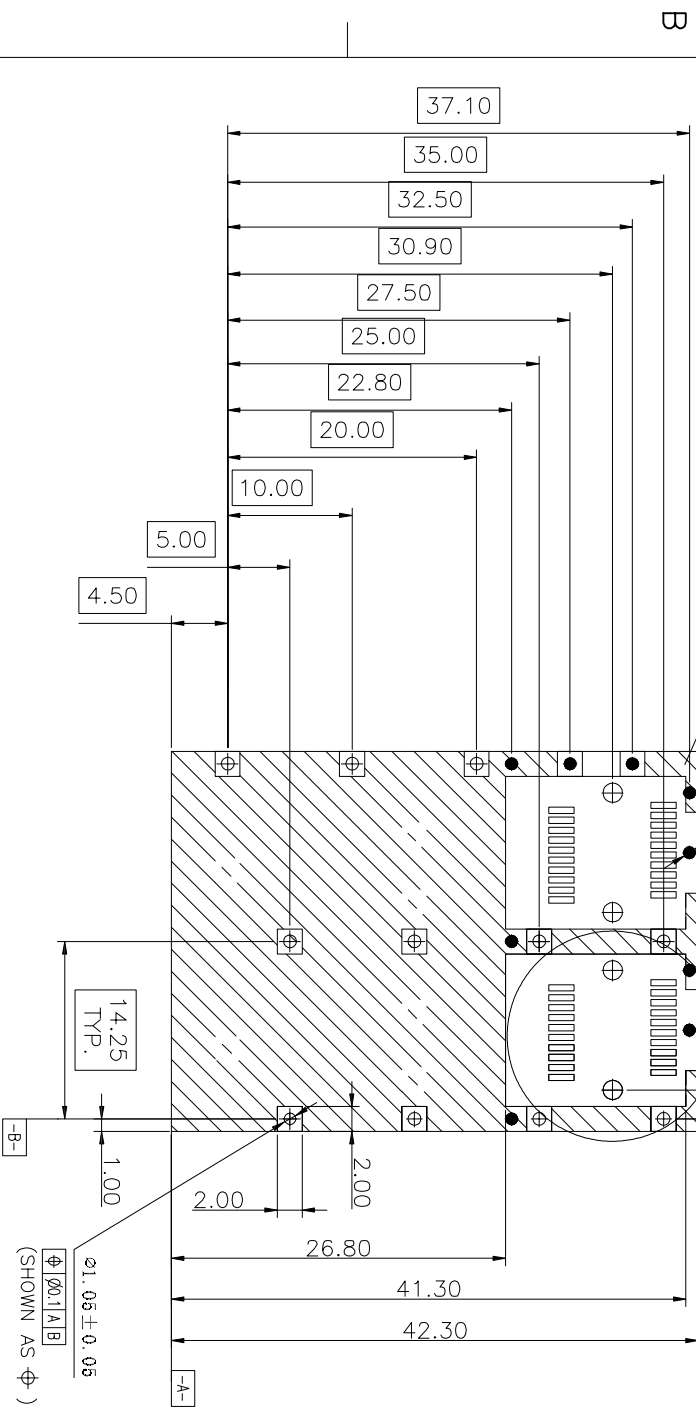


2

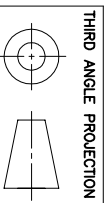
1

A

DATE	REV	ECN	APP'D.



PCB LAYOUT
FOR SINGLE SIDE MOUNTING



DO NOT SCALE DRAWING
DRAWING IS SUBJECT TO CHANGE WITHOUT NOTICE
DIMENSIONS: mm(INCH)
.XX±0.15 .XXX±0.10

CND-TEK
深圳磁联达电子有限公司
Shen zhen cnd-tek Electronics Co., Ltd
Web: <http://www.cd-tek.com>

TITLE
SFP+ 1X2 CAGE

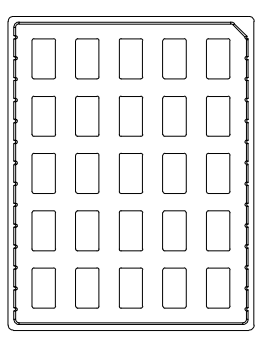
PART NO. A102N3200200N

Product: PCB JACK RJ45 RJ11 USB
CONNECTOR SFP CONNECTOR TRANSFORMER

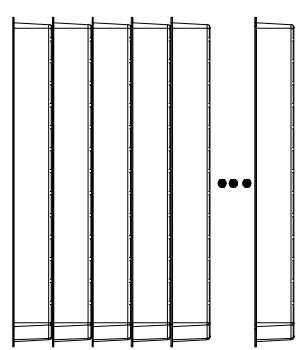
DRN BY: TONY DATE: 12-10-08
APPD BY: JIM DATE: 9-23-09
DWG NO: SFP10025 REV: A10



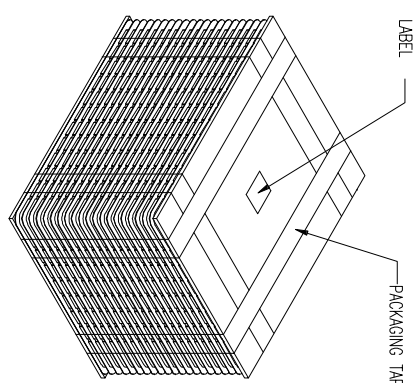
PACKAGE INFORMATION AND LABEL



1. PRODUCTS IN TRAYS

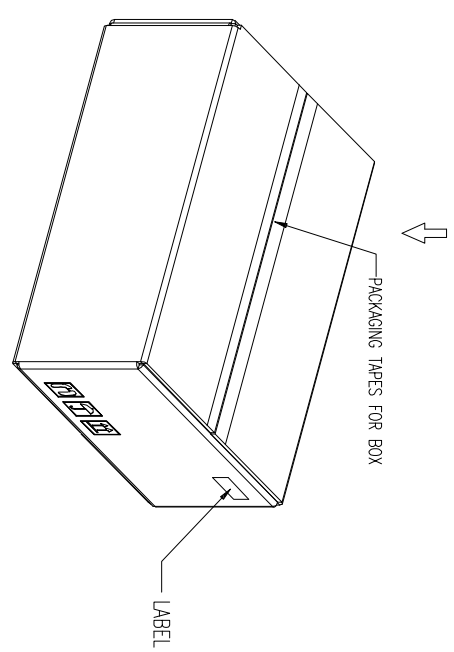


2. TRAYS OVERLAY:
(THE NEXT TRAY NEED ROTATE 180 DEGREE AND PUT IT ON PREVIOUS TRAY)
(相邻两个托盘间水平方向必须180度旋转)



3. LABEL & PACKAGING TAPES FOR TRAYS:

PACKAGING LISTS	
ITEM	QTY
PRODUCT	200 PCS
TRAY	8 PCS
BOX(L340*W265*H200MM)	1 PCS
LABEL	2 PCS
PACKAGING TAPES	8 M (ABOUT)



4. LABEL & PACKAGING TAPES TOP BOX

DATE	REV	ECN	APP'D.

THIRD ANGLE PROJECTION

DO NOT SCALE DRAWING
DRAWING IS SUBJECT TO CHANGE WITHOUT NOTICE
DIMENSIONS: mm(INCH)

CND-TEK
深圳磁联达电子有限公司
Shen zhen cnd-tek Electronics Co., Ltd
Web: <http://www.cd-tek.com>

TITLE SFP + 1X2 CAGE		DRW BY: TONY	DATE: 12-10-08
PART NO. A102N320020N		APP'D BY: JIM	DATE: 9-23-09
Product: PCB JACK RJ45 RJ11 USB CONNECTOR SFP CONNECTOR TRANSFORMER		DWG NO: SFP10025	REV: A10
DIMENSIONS: .XX±0.15 .XXX±0.10		SHEET NO. 3 OF 3	



X-ON Electronics

Largest Supplier of Electrical and Electronic Components

Click to view similar products for [Headers & Wire Housings](#) category:

Click to view products by [CND-tek](#) manufacturer:

Other Similar products are found below :

[0015917161](#) [0022155065](#) [57102-F02-18ULF](#) [58102-G61-06LF](#) [582553-1](#) [01.001.5753.1](#) [0050291907](#) [02.125.8002.8](#) [609-3404](#) [61062-3](#)
[CSU011177004](#) [622-0430](#) [622-3653LF](#) [63453-116](#) [636-1030](#) [636-1427](#) [636-3427](#) [636-4007](#) [641938-9](#) [65495-038](#) [65692-001LF](#) [65781-018](#)
[65781-047](#) [65817-010LF](#) [65817-015LF](#) [67095-007LF](#) [67601157](#) [68631-112](#) [68645-018](#) [699319-000](#) [70.362.1628.0](#) [70-4210](#) [70-4226B](#) [70-](#)
[4853B](#) [71.350.2428.0](#) [733-134](#) [733-162](#) [760-3052](#) [MHR-64-VUAL](#) [80.063.4001.1](#) [800-90-001-10-001000](#) [801-43-002-10-013000](#)
[801-43-006-10-002000](#) [803-43-024-10-001000](#) [803-93-012-10-001000](#) [8-1437020-4](#) [819-22-004-30-001101](#) [820-22-006-30-001101](#)
[820-22-008-30-001101](#) [821-22-002-10-001101](#)