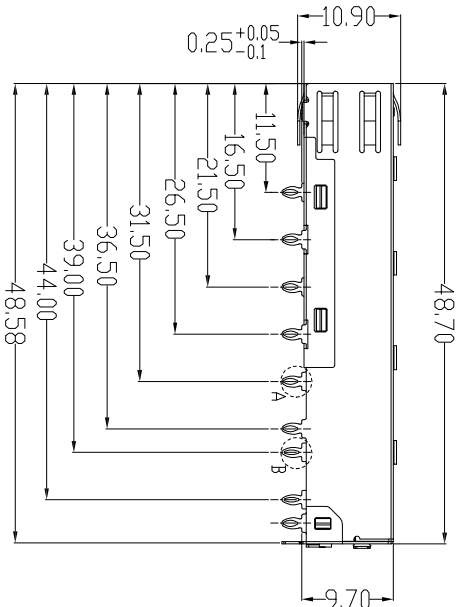
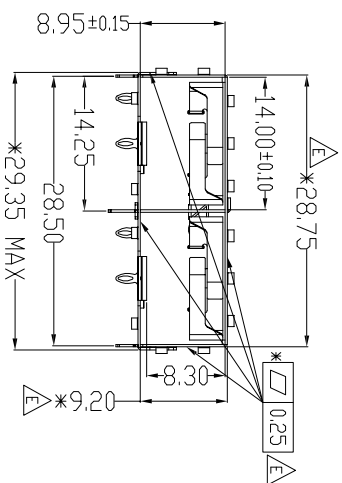
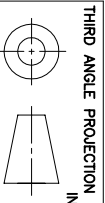


REV. 版本	ECN MO. 变更说明	DATE 日期
A	First Issued	20130830
B	Material Number Correct	20130921
C	图面更新	20131011
D	图面更新	20140724
E	加标管控尺寸	20180127



B

A



THIRD ANGLE PROJECTION
CND-TEK
 深圳磁联达电子有限公司
 Shen zhen cnd-tek Electronics Co., Ltd
 Web: <http://www.cd-tek.com>

技术要求:

1. 标*号尺寸需要重点管控;
2. 窗口和舌片处不可有毛刺, 其它处0.02mm MAX;

RoHS Compliant

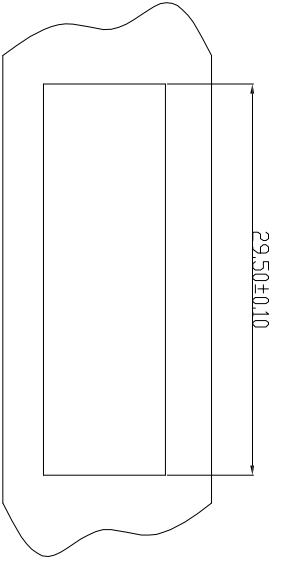


DO NOT SCALE DRAWING
 DRAWING IS SUBJECT TO CHANGE WITHOUT NOTICE
 DIMENSIONS: mm(INCH)
 *XX±0.20 XXX±0.10
 XX±0.15
 SHEET NO. 1 OF 2

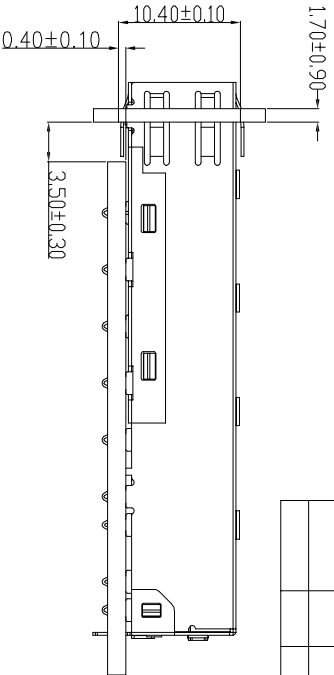
TITLE		PART NO.		DRN BY:	DATE:
SFP 1X2 CAGE PRESS FIT		AE7JA2000010		TONY	12-10-08
Product: PCB JACK RJ45 RJ11 USB CONNECTOR SFP CONNECTOR TR NSFDRMER		APPD BY:	DATE:	JIM	9-23-09
		DWG NO:	REV:	SFP10026	A10

B

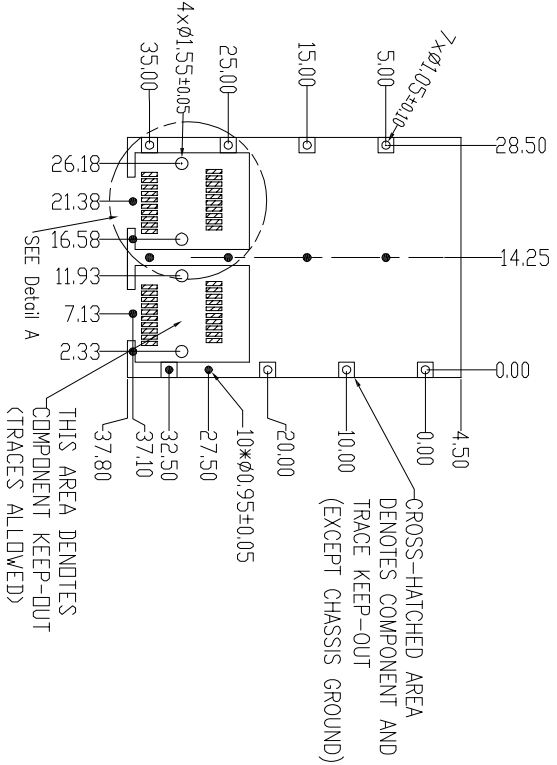
A



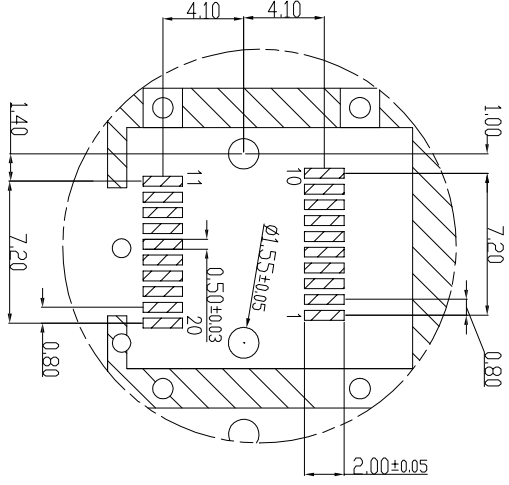
B



B



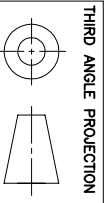
PCB LAYOUT THICKNESS=3.0MM (TOP VIEW)



SEE Detail A
SCALE: 2.5:1

A

DATE	REV	ECN	APP'D.



THIRD ANGLE PROJECTION
 DO NOT SCALE DRAWING
 DRAWING IS SUBJECT TO
 CHANGE WITHOUT NOTICE
 DIMENSIONS: mm(INCH)
 .XX±0.15 .XXX±0.10
 SHEET NO. 1 OF 2

TITLE SFP 1X2 CAGE PRESS FIT

PART NO. AE71A2000010

DRN BY: TONY DATE: 12-10-08
 APP'D BY: JIM DATE: 9-23-09
 DWG NO: SFP10026 REV: A10

Product: PCB JACK RJ45 RJ11 USB
 CONNECTOR SFP CONNECTOR TRANSFORMER



CND-TEK
 深圳磁联达电子有限公司
 Shen zhen cnd-tek Electronics Co., Ltd
 Web: <http://www.cd-tek.com>

X-ON Electronics

Largest Supplier of Electrical and Electronic Components

Click to view similar products for [Modular Connectors](#) / [Ethernet Connectors](#) category:

Click to view products by [CND-tek](#) manufacturer:

Other Similar products are found below :

[8949-H88/06BLKA/SN](#) [74441-0010/BKN](#) [PHP-6P6C-5](#) [GAX-3-66](#) [GDCX-PN-66](#) [GLX-A-44](#) [GLX-N-1010M-BLK](#) [GLX-S-88M-BLK](#)
[GMX-SMT4-N-88](#) [GSGX-N-2-88](#) [GSGX-N-4-88](#) [GSX-NS2-88-3.05](#) [GSX-NS-88-3.68](#) [PT-108A-8C-UL](#) [PTS-J531-8CS-50UL](#) [A-2014-0-4](#)
[GWLX-S9-88-YG](#) [DC-1021-8-WH-6](#) [1300530003](#) [1324640-4](#) [132764-001](#) [1413235](#) [MPS88RX-5000](#) [E5288-S000K3-L](#) [155302-001](#)
[AX101050](#) [AX101063](#) [AX101065](#) [AX101072](#) [AX101307](#) [AX101315](#) [AX101318](#) [AX102271](#) [AX102277](#) [AX102651](#) [AX102660](#) [AX104024](#)
[203475](#) [PC4D0018P](#) [KIT38082NI](#) [8949-B88/6](#) [2-6609208-5](#) [30-8956](#) [30-8964-100](#) [SM85](#) [SM99S01VBNN04G7](#) [17-103540](#) [191587](#) [PDI-68-RV](#) [PHP-8P8C-S-5](#)