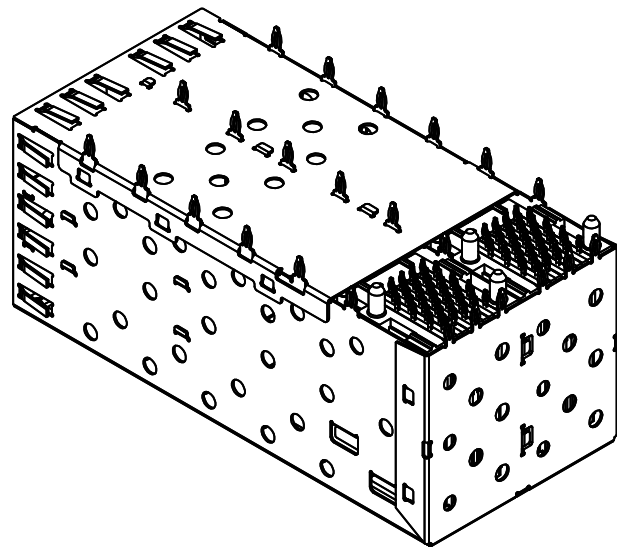
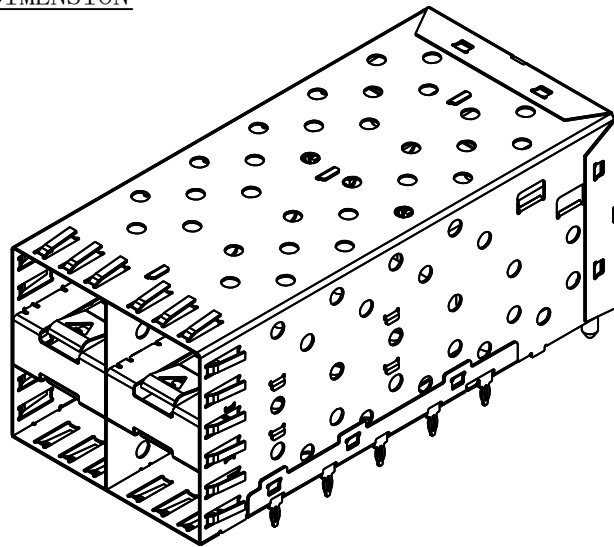


2

1

MECHANICAL DIMENSION

DATE	REV	ECN	APP'D.BY



NOTES:

MATERIAL:

CAGE: NICKEL SILVER, THICKNESS 0.25mm.

CONNECTOR:

PLASTIC HOUSING: HIGH TEMPERATURE LCP, UL94 V-0.

SPRING: STAINLESS STEEL, THICKNESS 0.20mm.

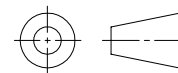
CONTACTS: PHOSPHOR BRONZE

PLATING: 15 μ " MIN. GOLD ON MATING AREA,
150 μ " MIN. MATTE TIN ON SOLDER TAILS.

PACKAGING: TRAY PACKAGING.

TEMPERATURE RANGE: -40°C TO +85°C

THIRD ANGLE PROJECTION

**CND-TEK**

深圳磁联达电子有限公司

Shen zhen cnd-tek Electronics Co., Ltd

Web: <http://www.cd-tek.com>

DO NOT SCALE DRAWING

TITLE

SFP 2X2 COMBO WITH GROUNDING PIN

DRAWING IS SUBJECT TO
CHANGE WITHOUT NOTICE

PART NO:

AE90A2104405

DRN BY:

TONY

DATE:

12-10-08

DIMENSIONS: mm(INCH)

.X \pm 0.20 .XXX \pm 0.10Product: PCB JACK RJ45 RJ11 USB
CONNECTOR SFP CONNECTOR TRANSFORMERAPPD BY:
JIM

DATE:

9-23-09

SHEET NO.

1 OF 4

DWG NO:

SFP10007

REV:

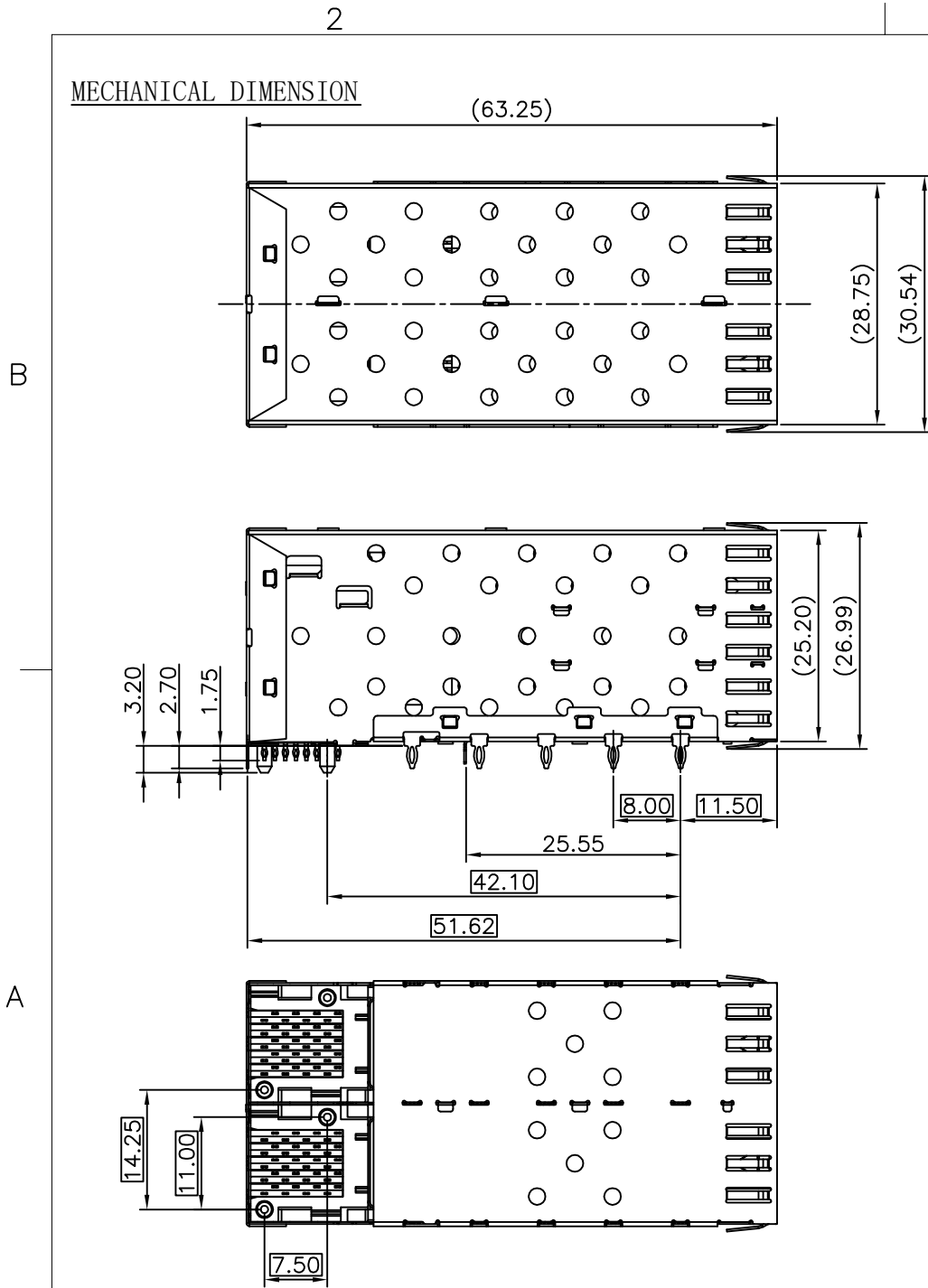
A10



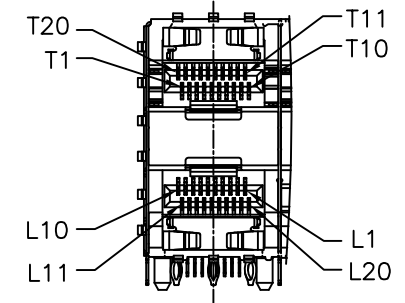
2

1

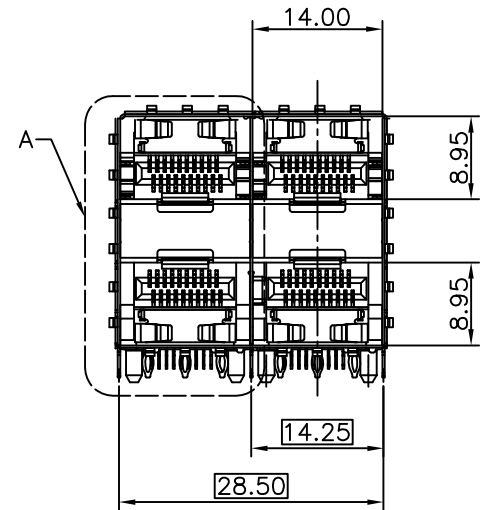
MECHANICAL DIMENSION



DATE	REV	ECN	APP'D.BY



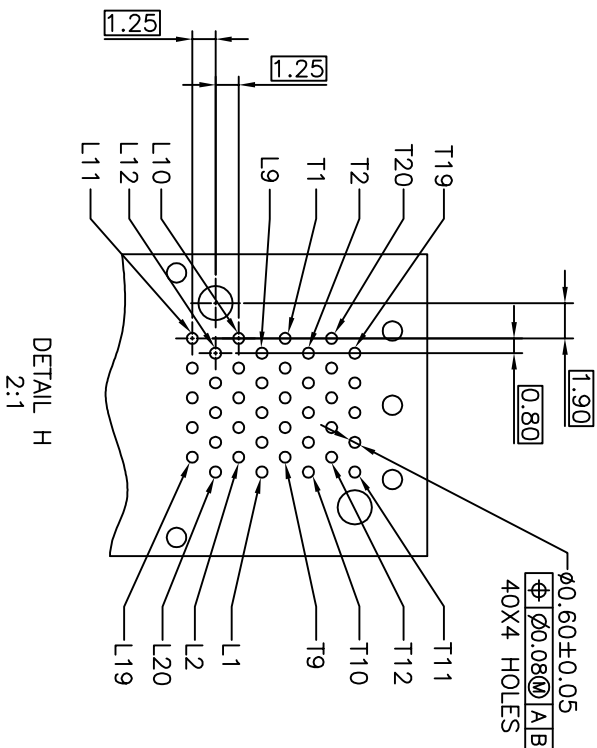
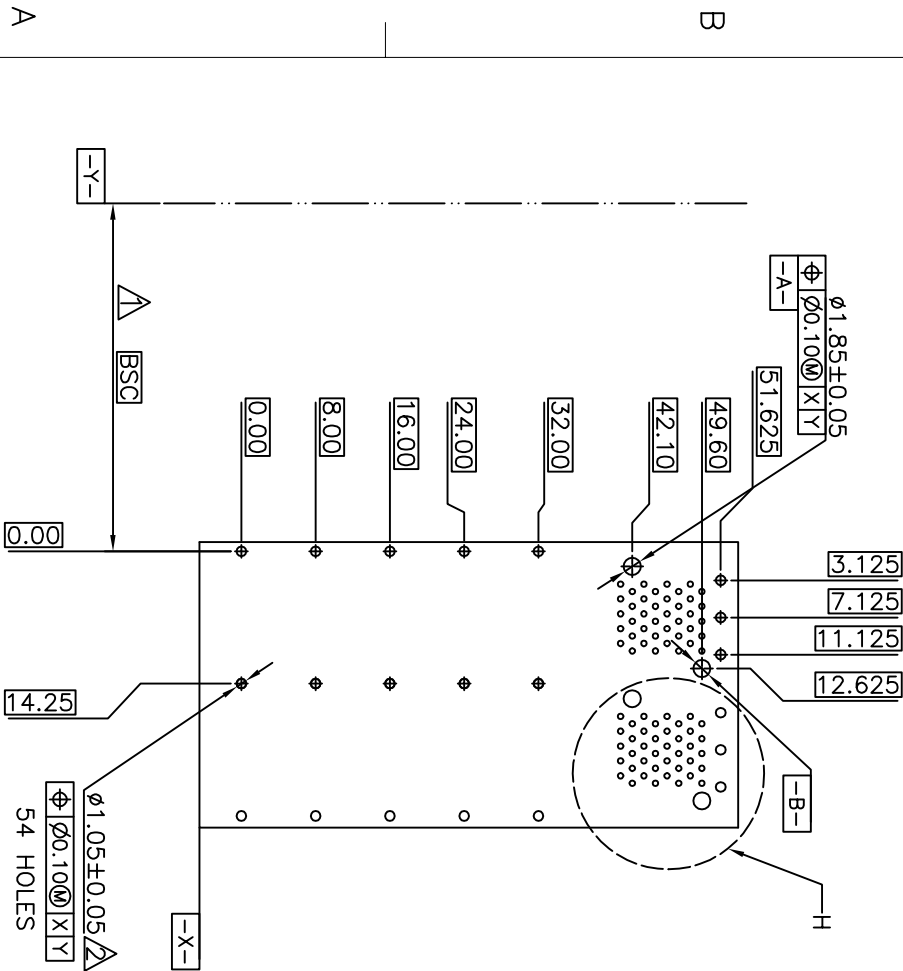
DETAIL A
1:1



THIRD ANGLE PROJECTION		深圳磁联达电子有限公司 Shen zhen cnd-tek Electronics Co., Ltd Web: http://www.cd-tek.com	
DO NOT SCALE DRAWING DRAWING IS SUBJECT TO CHANGE WITHOUT NOTICE		TITLE SFP 2X2 COMBO WITH GROUNDING PIN	
DIMENSIONS: mm(INCH)		PART NO: AE90A2104405	DRN BY: TONY
.X±0.20 .XXX±0.10		Product: PCB JACK RJ45 RJ11 USB CONNECTOR SFP CONNECTOR TRANSFORMER	DATE: 12-10-08
.XX±0.15			APPD BY: JIM
SHEET NO. 2 OF 4		DATE: 9-23-09	
		DWG NO: SFP10007	REV: A10



MECHANICAL DIMENSION



RECOMMENDED PCB CONFIGURATION

NOTES:

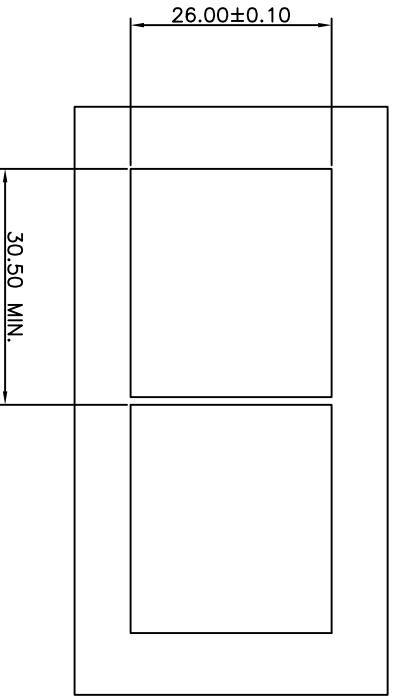
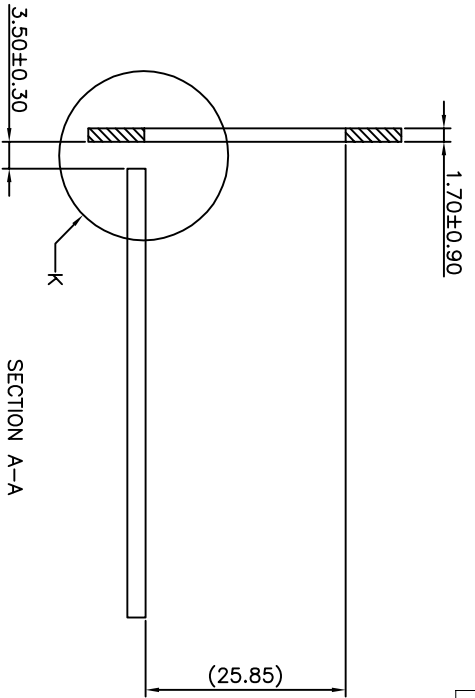
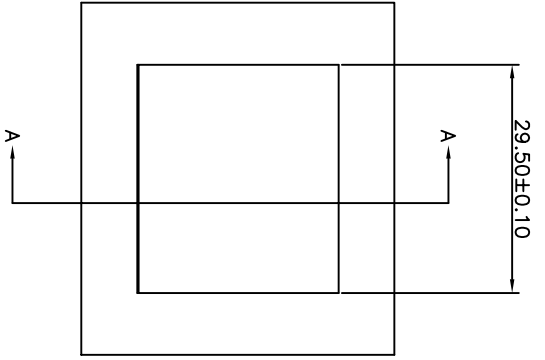
1. DATUM AND BASIC DIMENSIONS ESTABLISHED BY CUSTOMER.
2. 1.05 mm DIAMETER HOLES ARE CHASSIS GROUND (30 HOLES).



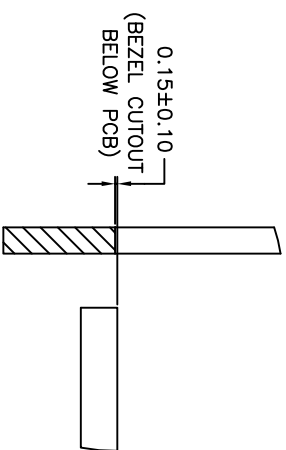
DATE	REV	ECN	APP'D, BY

THIRD ANGLE PROJECTION			
DO NOT SCALE DRAWING			
DRAWING IS SUBJECT TO CHANGE WITHOUT NOTICE			
DIMENSIONS: mm(INCH)			
.XX±0.20	.XXX±0.10		
SHEET NO. 3 OF 4			
CND-TEK 深圳 磁联达 电子有限公司 Shen zhen cnd-tek Electronics Co., Ltd Web: http://www.cd-tek.com		TITLE SFP 2X2 COMBO WITH GROUNDING PIN	
PART NO: AE90A2104405		DRW BY: TONY	
DATE: 12-10-08		APP'D BY: JIM	
Product: PCB JACK RJ45 RJ11 USB CONNECTOR SFP CONNECTOR TRANSFORMER		DATE: 9-23-09	
SHEET NO. SFP10007		REV: A10	

MECHANICAL DIMENSION



RECOMMENDED BEZEL DESIGN



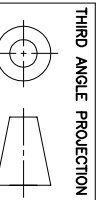
DATE	REV	ECN	APP'D, BY

A

B

A

B



深圳磁联达电子有限公司
 Shen zhen cnd-tek Electronics Co., Ltd
 Web: <http://www.cd-tek.com>

THIRD ANGLE PROJECTION
 DO NOT SCALE DRAWING
 DRAWING IS SUBJECT TO
 CHANGE WITHOUT NOTICE
 DIMENSIONS: mm(INCH)

TITLE
 SFP 2X2 COMBO WITH GROUNDING PIN
 PART NO: AE90A2104405

.X±0.20 .XXX±0.10
 .XX±0.15
 SHEET NO. 3 OF 4

DRN BY: TONY
 APP'D BY: JIM
 DATE: 12-10-08
 DWG NO: SFP10007
 Product: PCB JACK RJ45 RJ11 USB
 CONNECTOR SFP CONNECTOR TRANSFORMER

DATE: 9-23-09
 REV: A10



X-ON Electronics

Largest Supplier of Electrical and Electronic Components

Click to view similar products for [Headers & Wire Housings](#) category:

Click to view products by [CND-tek](#) manufacturer:

Other Similar products are found below :

[0015917161](#) [0022155065](#) [57102-F02-18ULF](#) [58102-G61-06LF](#) [582553-1](#) [01.001.5753.1](#) [0050291907](#) [02.125.8002.8](#) [609-3404](#) [61062-3](#)
[CSU011177004](#) [622-0430](#) [622-3653LF](#) [63453-116](#) [636-1030](#) [636-1427](#) [636-3427](#) [636-4007](#) [641938-9](#) [65495-038](#) [65692-001LF](#) [65781-018](#)
[65781-047](#) [65817-010LF](#) [65817-015LF](#) [67095-007LF](#) [67601157](#) [68631-112](#) [68645-018](#) [699319-000](#) [70.362.1628.0](#) [70-4210](#) [70-4226B](#) [70-](#)
[4853B](#) [71.350.2428.0](#) [733-134](#) [733-162](#) [760-3052](#) [MHR-64-VUAL](#) [80.063.4001.1](#) [800-90-001-10-001000](#) [801-43-002-10-013000](#)
[801-43-006-10-002000](#) [803-43-024-10-001000](#) [803-93-012-10-001000](#) [8-1437020-4](#) [819-22-004-30-001101](#) [820-22-006-30-001101](#)
[820-22-008-30-001101](#) [821-22-002-10-001101](#)