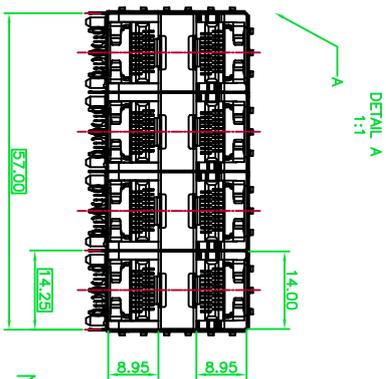
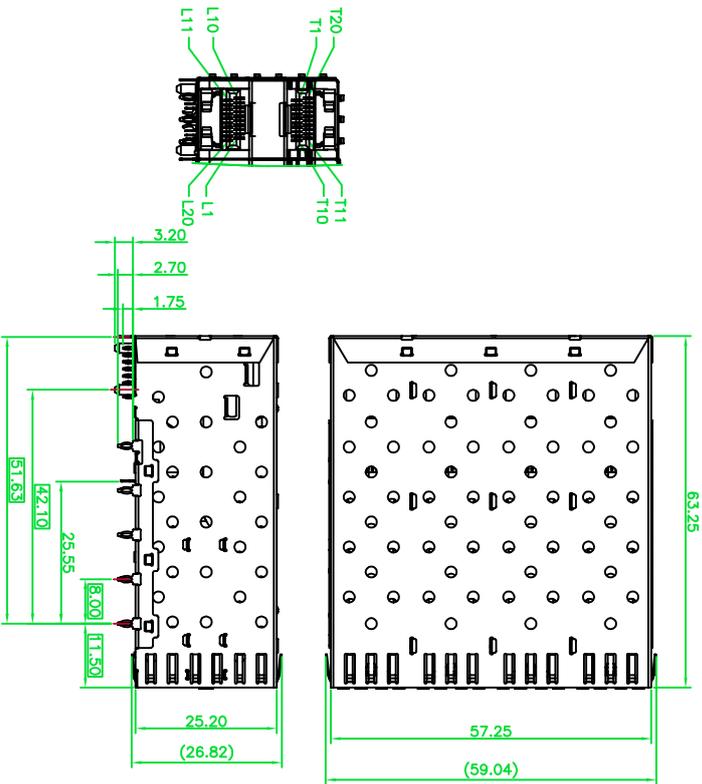


MECHANICAL DIMENSION

DATE	REV	ECN	APP'D.

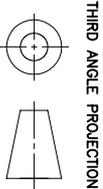
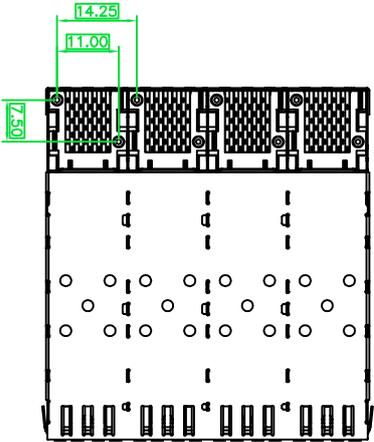


NOTES:

MATERIAL:  
 CAGE: NICKEL SILVER, THICKNESS 0.25mm  
 LIGHT PIPE: POLYCARBONATE, COLOR: CLEAR.  
 CONNECTOR:  
 PLASTIC HOUSING: HIGH TEMPERATURE LCP, UL94 V-0.  
 SPRING: STAINLESS STEEL, THICKNESS 0.20mm  
 CONTACTS: PHOSPHOR BRONZE, THICKNESS 0.20mm  
 PLATING: 15μ" MIN. GOLD ON MATING AREA,  
 150μ" MIN. MATE TIN ON SOLDER TAILS.

PACKAGING: TRAY PACKAGING.

TEMPERATURE RANGE: -40°C TO +85°C



THIRD ANGLE PROJECTION  
**CND-TEK**  
 深圳 德联达 电子有限公司  
 Shen zhen cnd-tek Electronics Co., Ltd  
 Web: <http://www.cd-tek.com>

DO NOT SCALE DRAWING  
 DRAWING IS SUBJECT TO  
 CHANGE WITHOUT NOTICE  
 DIMENSIONS: mm(INCH)

TITLE  
 SFP 2X4 COMBO WITH GROUNDING PIN WITH

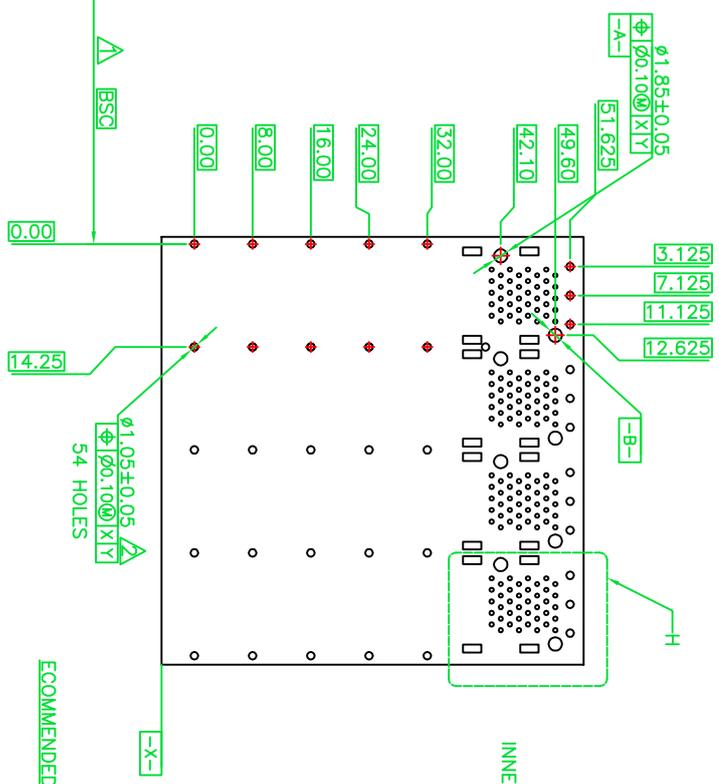
XX±0.15  
 X±0.20 XXX±0.10  
 SHEET NO.  
 1 OF 3

PART NO: AE90A4004105  
 Product: PCB JACK RJ45 RJ11 USB  
 CONNECTOR SFP CONNECTOR TRANSFORMER  
 DRN BY: TONY  
 DATE: 12-10-08  
 APP'D BY: JIM  
 DATE: 9-23-09  
 DWG NO: SFP10004  
 REV: A10

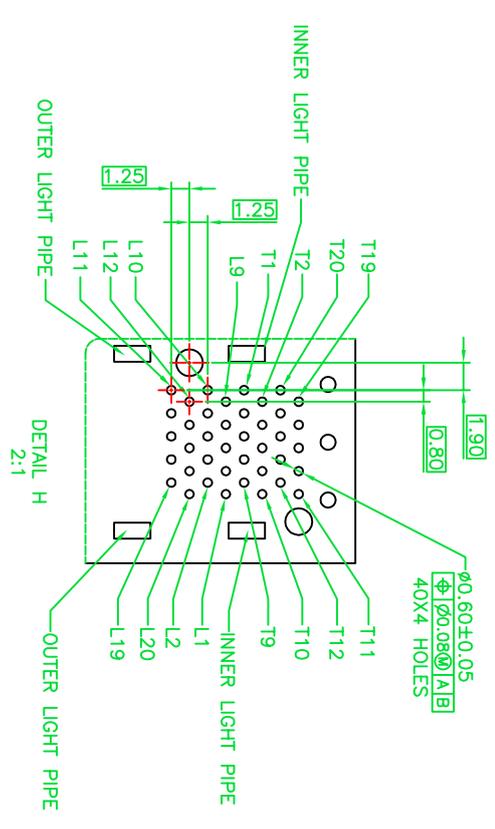


MECHANICAL DIMENSION

DATE	REV	ECN	APP'D.



RECOMMENDED PCB CONFIGURATION



NOTES:

1. DATUM AND BASIC DIMENSIONS ESTABLISHED BY CUSTOMER.
2. 1.05 mm DIAMETER HOLES ARE CHASSIS GROUND (54 HOLES).

THIRD ANGLE PROJECTION

DO NOT SCALE DRAWING  
DRAWING IS SUBJECT TO CHANGE WITHOUT NOTICE  
DIMENSIONS: mm(INCH)

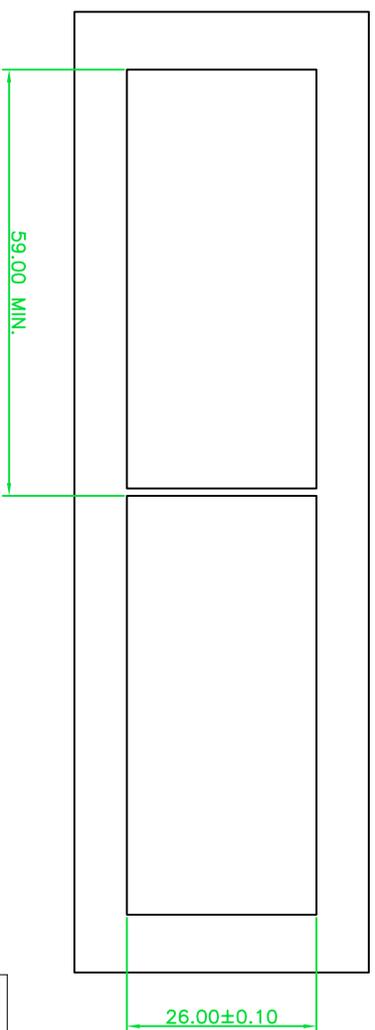
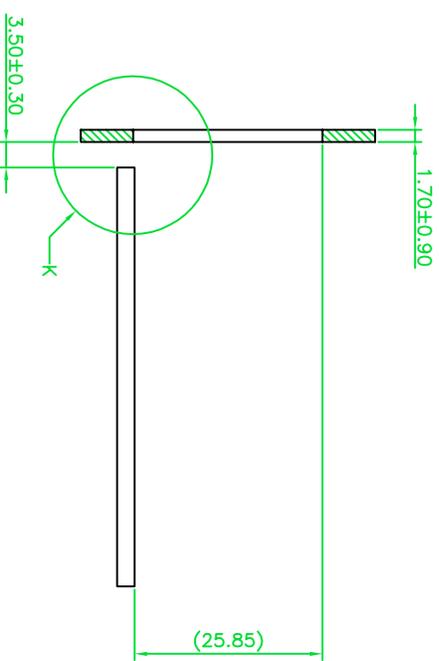
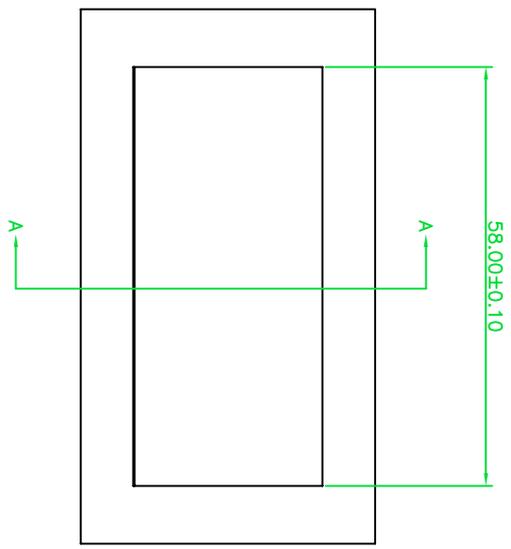
**CND-TEK**  
深圳 矽联达电子有限公司  
Shen zhen cnd-tek Electronics Co., Ltd  
Web: <http://www.cd-tek.com>

TITLE		SFP 2X4 COMBO WITH GROUNDING PIN WITH	
PART NO.	AE90A4004105	DRN BY:	TONY
DIMENSIONS: mm(INCH)		DATE:	12-10-08
.XX±0.15 .XXX±0.10		APP'D BY:	JIM
SHEET NO. 2 OF 3		DWG NO:	SFP10004
Product: PCB JACK RJ45 RJ11 USB CONNECTOR SFP CONNECTOR TRANSFORMER		DATE:	9-23-09
		REV:	A10

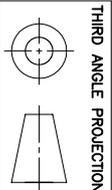
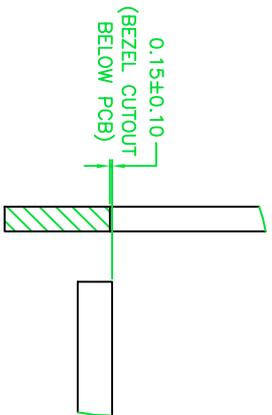


MECHANICAL DIMENSION

DATE	REV	ECN	APP'D.



RECOMMENDED BEZEL DESIGN



THIRD ANGLE PROJECTION

DO NOT SCALE DRAWING  
DRAWING IS SUBJECT TO CHANGE WITHOUT NOTICE

DIMENSIONS: mm(INCH)

**CND-TEK**  
 深圳 矽联达 电子有限公司  
 Shen zhen cnd-tek Electronics Co., Ltd  
 Web: <http://www.cd-tek.com>

TITLE		SFP 2X4 COMBO WITH GROUNDING PIN WITH	
PART NO.	AE90A4004105	DRN BY:	TONY
DIMENSIONS: mm(INCH)		DATE:	12-10-08
.XX±0.15	.XXX±0.10	APP'D BY:	JIM
SHEET NO. 3 OF 3		DWG NO:	SFP10004
Product: PCB JACK RJ45 RJ11 USB CONNECTOR SFP CONNECTOR TRANSFORMER		DATE:	9-23-09
		REV:	A10



## X-ON Electronics

Largest Supplier of Electrical and Electronic Components

*Click to view similar products for [Headers & Wire Housings](#) category:*

*Click to view products by [CND-tek](#) manufacturer:*

Other Similar products are found below :

[0015917161](#) [0022155065](#) [57102-F02-18ULF](#) [58102-G61-06LF](#) [582553-1](#) [01.001.5753.1](#) [0050291907](#) [02.125.8002.8](#) [609-3404](#) [61062-3](#)  
[CSU011177004](#) [622-0430](#) [622-3653LF](#) [63453-116](#) [636-1030](#) [636-1427](#) [636-3427](#) [636-4007](#) [641938-9](#) [65495-038](#) [65692-001LF](#) [65781-018](#)  
[65781-047](#) [65817-010LF](#) [65817-015LF](#) [67095-007LF](#) [67601157](#) [68631-112](#) [68645-018](#) [699319-000](#) [70.362.1628.0](#) [70-4210](#) [70-4226B](#) [70-](#)  
[4853B](#) [71.350.2428.0](#) [733-134](#) [733-162](#) [760-3052](#) [MHR-64-VUAL](#) [80.063.4001.1](#) [800-90-001-10-001000](#) [801-43-002-10-013000](#)  
[801-43-006-10-002000](#) [803-43-024-10-001000](#) [803-93-012-10-001000](#) [8-1437020-4](#) [819-22-004-30-001101](#) [820-22-006-30-001101](#)  
[820-22-008-30-001101](#) [821-22-002-10-001101](#)