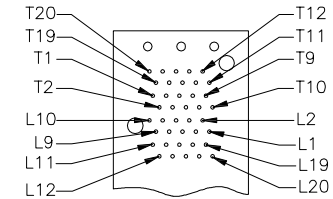
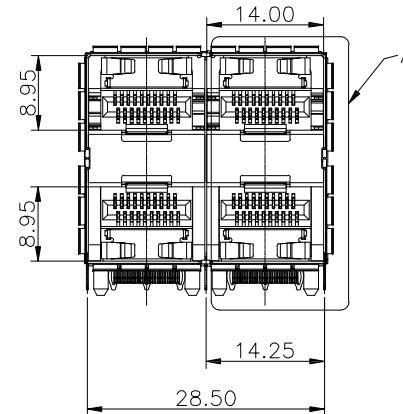
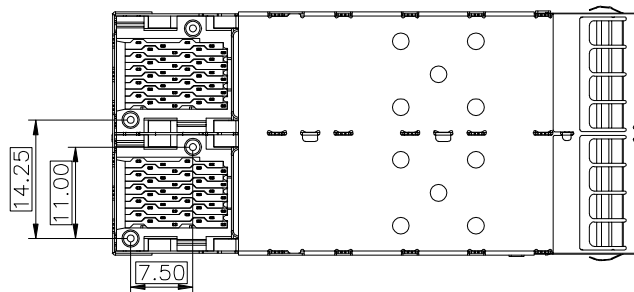
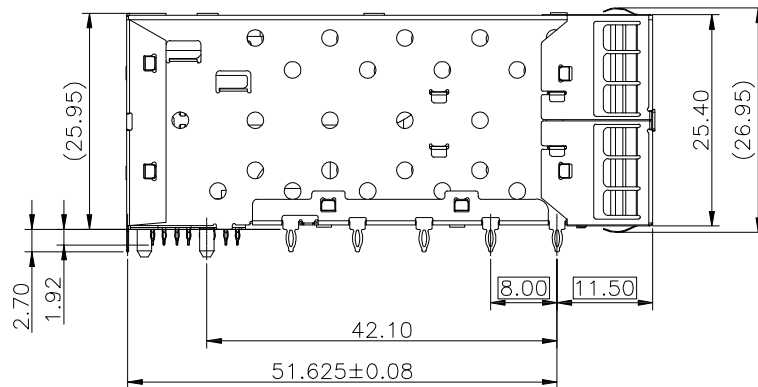
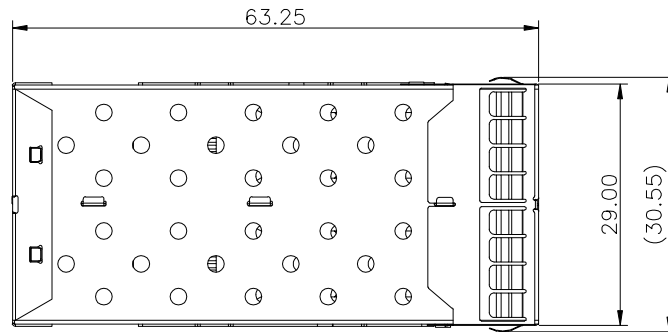
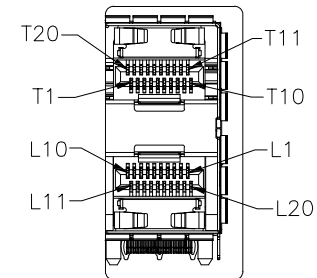


2

1

MECHANICAL DIMENSION

DATE	REV	ECN	APP'D.BY

CONNECTOR PIN-OUT
COMPONENT SIDE OF BOARDDETAIL A
1:1

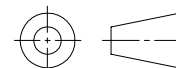
NOTES:

MATERIAL:
 CAGE: COPPER ALLOY, THICKNESS 0.25mm
 CONNECTOR:
 PLASTIC HOUSING: HIGH TEMPERATURE LCP, UL94 V-0.
 SPRING: STAINLESS STEEL, THICKNESS 0.20mm
 CONTACTS: PHOSPHOR BRONZE, THICKNESS 0.20mm
 PLATING: 30μ" MIN. GOLD ON MATING AREA,
 150μ" MIN. MATE TIN ON SOLDER TAILS.

PACKAGING: TRAY PACKAGING.

TEMPERATURE RANGE: -40°C TO +85°C

THIRD ANGLE PROJECTION

**CND-TEK**

深圳磁联达电子有限公司

Shen zhen cnd-tek Electronics Co., Ltd

Web: <http://www.cd-tek.com>

DO NOT SCALE DRAWING

DRAWING IS SUBJECT TO
CHANGE WITHOUT NOTICE

DIMENSIONS: mm(INCH)

.X±0.20 .XXX±0.10

.XX±0.15

SHEET NO.
1 OF 3

TITLE

SFP+ 2X2 CAGE+CONNECTOR

PART NO:

AE90K2104005

Product: PCB JACK RJ45 RJ11
USB CONNECTOR SFP
CONNECTOR TRANSFORMER

DRN BY:

TONY

DATE:

12-10-08

APPD BY:

JIM

DATE:

9-23-09

DWG NO:

SFP20003

REV:

A10

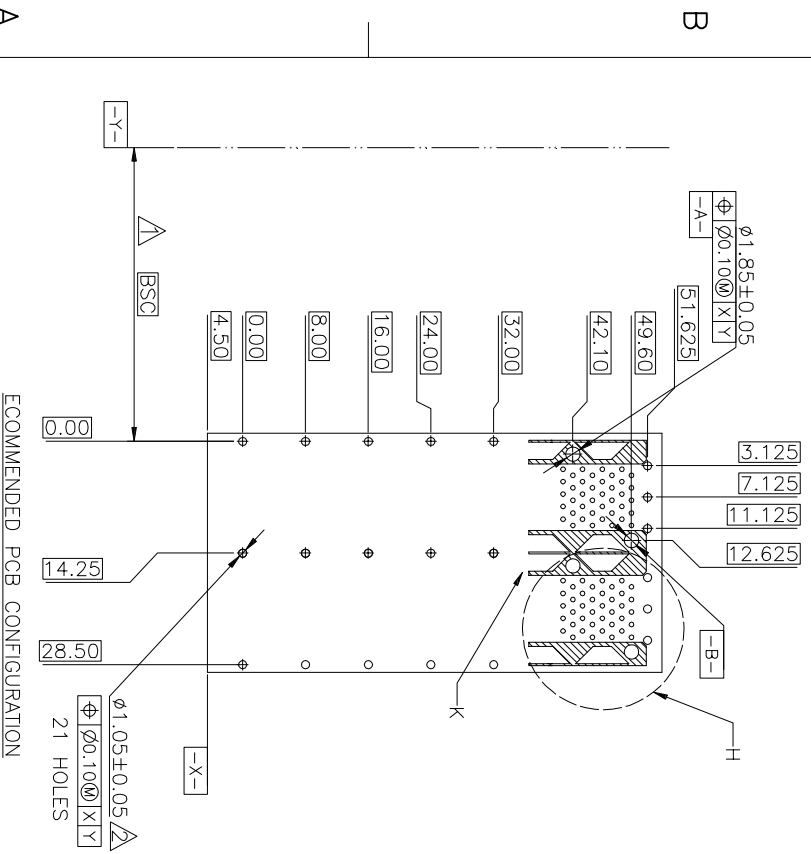


2

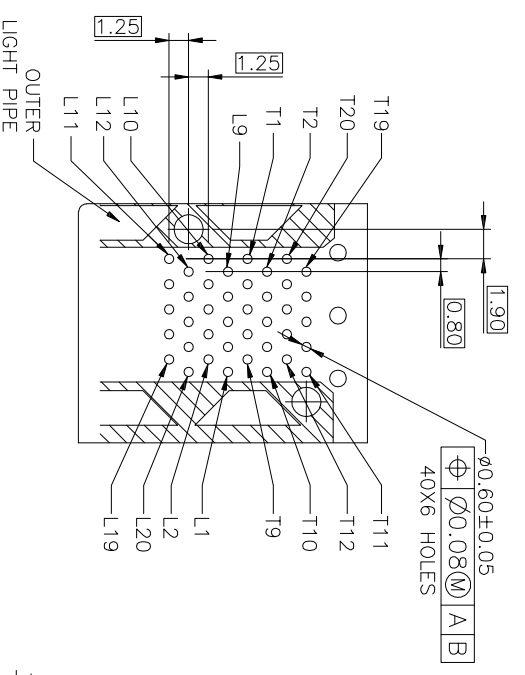
1

NOTES:

1. DATUM AND BASIC DIMENSIONS ESTABLISHED BY CUSTOMER.
2. 1.05 mm DIAMETER HOLES ARE CHASSIS GROUND).

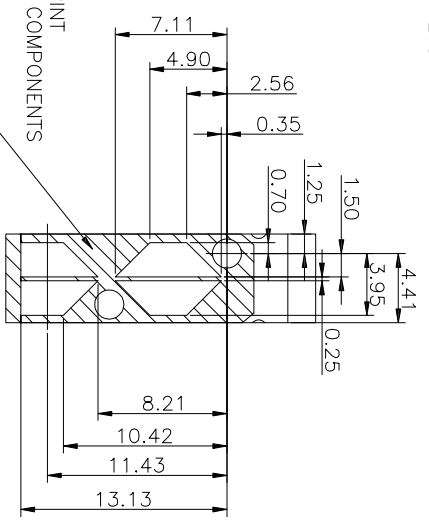


ECOMMENDED PCB CONFIGURATION

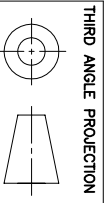


DETAIL H
2:1

THE ENTIRE AREA OF THE CONNECTOR FOOTPRINT TO BE CONSIDERED THE KEEP OUT AREA FOR COMPONENTS (OTHER THAN LIGHT PIPE LE'S) THIS AREA IS INDICATED BY THE ADSHED LINE



DETAIL LIGHT PIPE LOCATION AND OTHER ZONES
DETAIL K
2:1



THIRD ANGLE PROJECTION
DO NOT SCALE DRAWING
DRAWING IS SUBJECT TO CHANGE WITHOUT NOTICE
DIMENSIONS: mm(INCH)
.XX±0.15 .XXX±0.10
SHEET NO. 2 OF 3



深圳磁联达电子有限公司
Shen zhen cnd-tek Electronics Co., Ltd
Web: <http://www.cd-tek.com>

TITLE
SFP+ 2X2 CAGE+CONNECTOR

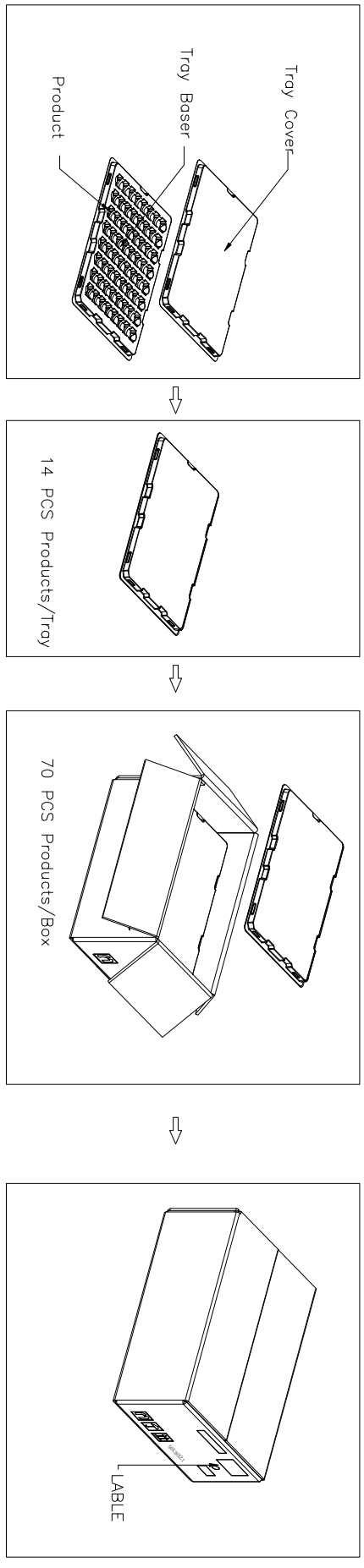
PART NO:
AE90K2104005

DRW BY: TONY	DATE: 12-10-08
APPD BY: JIM	DATE: 9-23-09
Product: PCB JACK R445 R411 USB CONNECTOR SFP CONNECTOR TRANSFORMER	REV: A10
DWG NO: SFP20003	



PACKAGE INFORMATION AND LABEL

DATE	REV	ECN	APP'D, BY



PACKING QUANTITY : 14 PCS FINISHED GOODS PER TRAY

5 TRAYS (70 PCS FINISHED GOODS) PER CARTON BOX

A

A

B

B

THIRD ANGLE PROJECTION	
DO NOT SCALE DRAWING	
DRAWING IS SUBJECT TO CHANGE WITHOUT NOTICE	
DIMENSIONS: mm(INCH)	
.X±0.20 .XXX±0.10	
.XX±0.15	
SHEET NO.	3 OF 3

CND-TEK
 深圳 矽联达 电子有限公司
 Shen zhen cnd-tek Electronics Co., Ltd
 Web: <http://www.cd-tek.com>

TITLE			
SFP+ 2X2 CAGE+CONNECTOR			
PART NO:	AE90K2104005	DRN BY:	TONY
DATE:	12-10-08	APPD BY:	JIM
Product: PCB JACK RJ45 RJ11		DATE:	9-23-09
USB CONNECTOR SFP		REV:	A10
CONNECTOR TRANSFORMER		DWG NO:	SFP20003



X-ON Electronics

Largest Supplier of Electrical and Electronic Components

Click to view similar products for [Modular Connectors](#) / [Ethernet Connectors](#) category:

Click to view products by [CND-tek](#) manufacturer:

Other Similar products are found below :

[8949-H88/06BLKA/SN](#) [74441-0010/BKN](#) [PHP-6P6C-5](#) [GAX-3-66](#) [GDCX-PN-66](#) [GLX-A-44](#) [GLX-N-1010M-BLK](#) [GLX-S-88M-BLK](#)
[GMX-SMT4-N-88](#) [GSGX-N-2-88](#) [GSGX-N-4-88](#) [GSX-NS2-88-3.05](#) [GSX-NS-88-3.68](#) [PT-108A-8C-UL](#) [PTS-J531-8CS-50UL](#) [A-2014-0-4](#)
[GWLX-S9-88-YG](#) [DC-1021-8-WH-6](#) [1300530003](#) [1324640-4](#) [132764-001](#) [1413235](#) [MPS88RX-5000](#) [E5288-S000K3-L](#) [155302-001](#)
[AX101050](#) [AX101063](#) [AX101065](#) [AX101072](#) [AX101307](#) [AX101315](#) [AX101318](#) [AX102271](#) [AX102277](#) [AX102651](#) [AX102660](#) [AX104024](#)
[203475](#) [PC4D0018P](#) [KIT38082NI](#) [8949-B88/6](#) [2-6609208-5](#) [30-8956](#) [30-8964-100](#) [SM85](#) [SM99S01VBNN04G7](#) [17-103540](#) [191587](#) [PDI-68-RV](#) [PHP-8P8C-S-5](#)