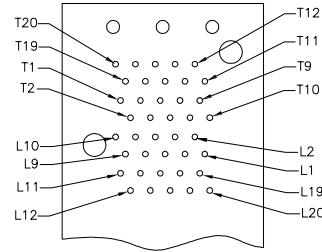
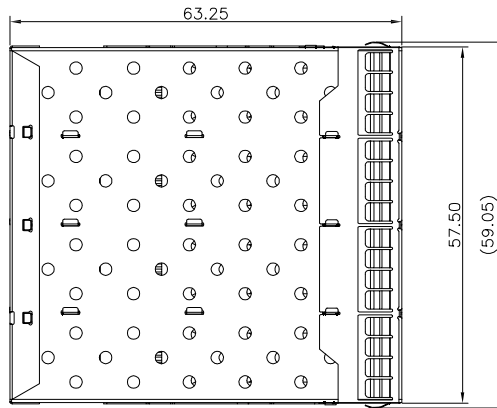


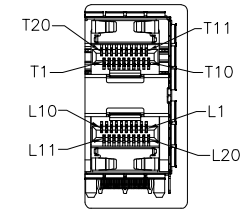
2

1

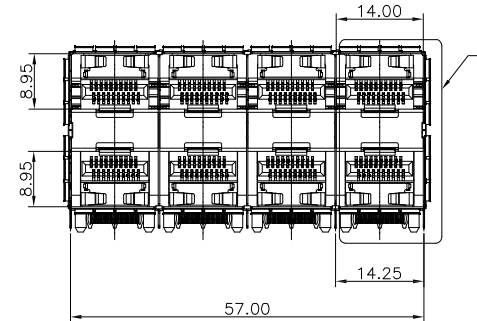
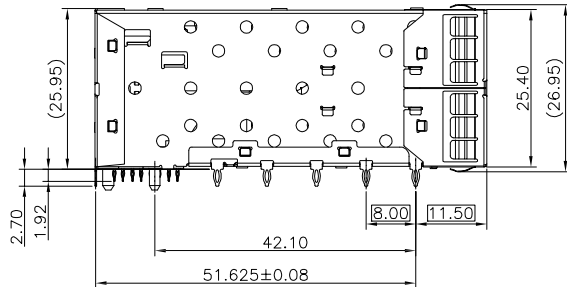
DATE	REV	ECN	APP'D.BY



CONNECTOR PIN-OUT
COMPONENT SIDE OF BOARD



DETAIL A
1:1



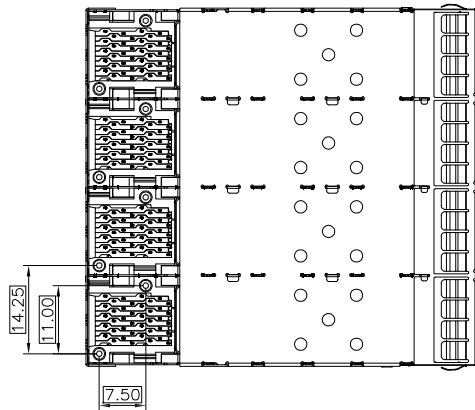
NOTES:

MATERIAL:
CAGE: NICKEL SILVER

CONNECTOR:
PLASTIC HOUSING: HIGH TEMPERATURE LCP, UL94 V-0.
LIGHT PIPE: POLYCARBONATE; COLOR: CLEAR
SPRING: STAINLESS STEEL
CONTACTS: PHOSPHOR BRONZE
CONTACT PLATING: 15u" MIN. GOLD ON MATING AREA,
150u" MATTE TIN ON SOLDER TAILS

PACKAGING: TRAY PACKAGING.

TEMPERATURE RANGE: -40°C TO +85°C



2

1

B

B

A

A

THIRD ANGLE PROJECTION		深圳磁联达电子有限公司 Shen zhen cnd-tek Electronics Co., Ltd Web: http://www.cd-tek.com	
DO NOT SCALE DRAWING		TITLE	
DRAWING IS SUBJECT TO CHANGE WITHOUT NOTICE		SFP+ 2X4 CAGE+CONNECTOR	
DIMENSIONS: mm(INCH)		PART NO:	DRN BY: DATE:
.X±0.20 .XXX±0.10		AE90K4104105	TONY 03-25-20
.XX±0.15		Product: PCB JACK RJ45 RJ11 USB CONNECTOR SFP CONNECTOR TRANSFORMER	APPD BY: DATE: JIM 03-25-20
SHEET NO. 1 OF 3		DWG NO:	REV:
		SFP20022	A10



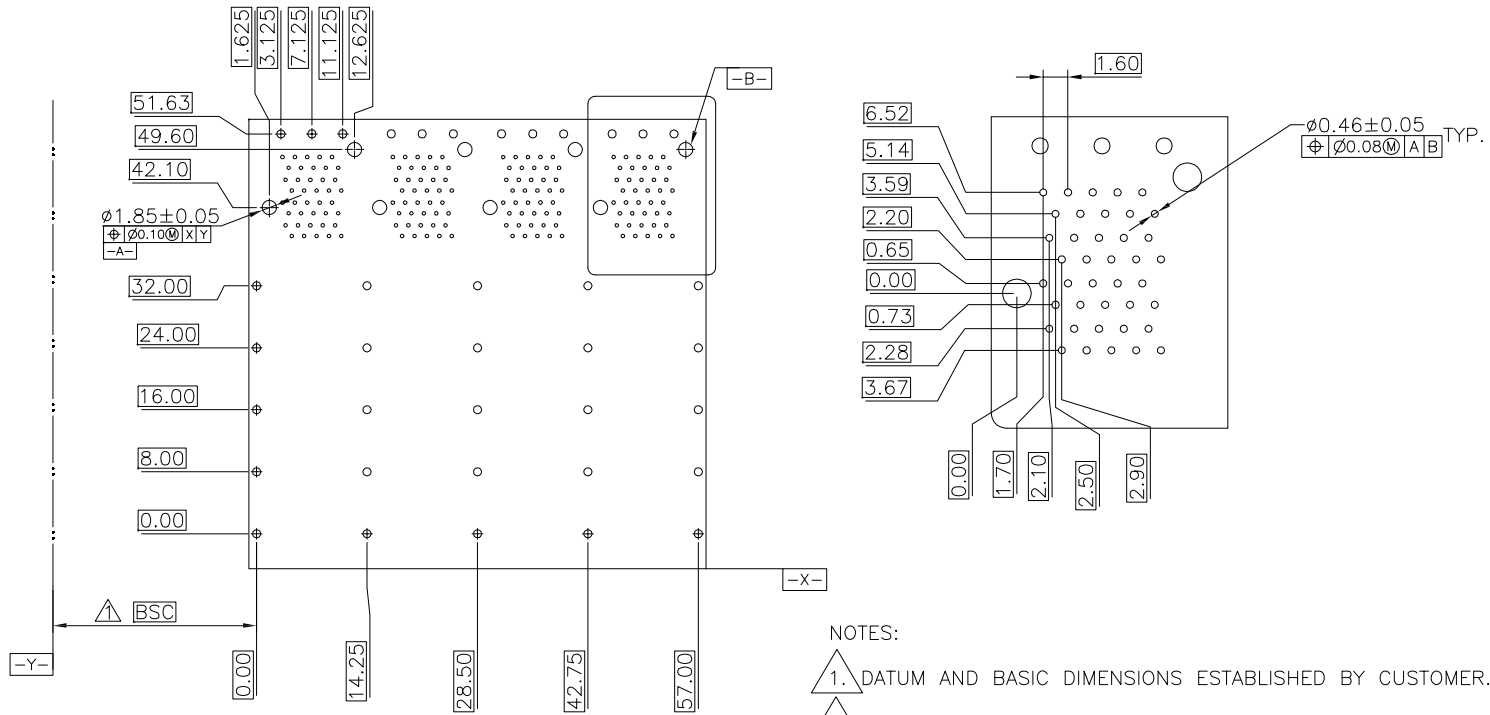
2

1

DATE	REV	ECN	APP'D.BY

B

B



ECOMMENDED PCB CONFIGURATION

NOTES:

1. DATUM AND BASIC DIMENSIONS ESTABLISHED BY CUSTOMER.
2. 1.05 mm DIAMETER HOLES ARE CHASSIS GROUND (18 HOLES).

A

A

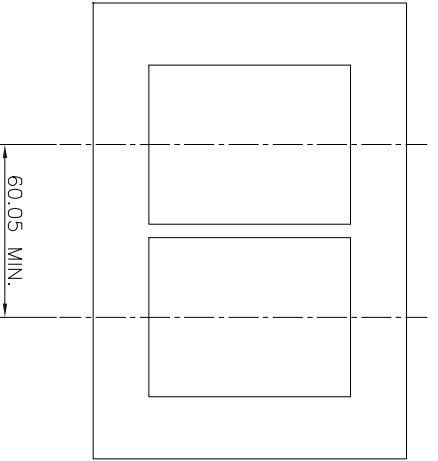
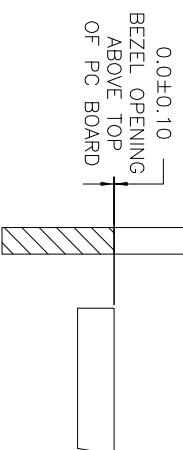
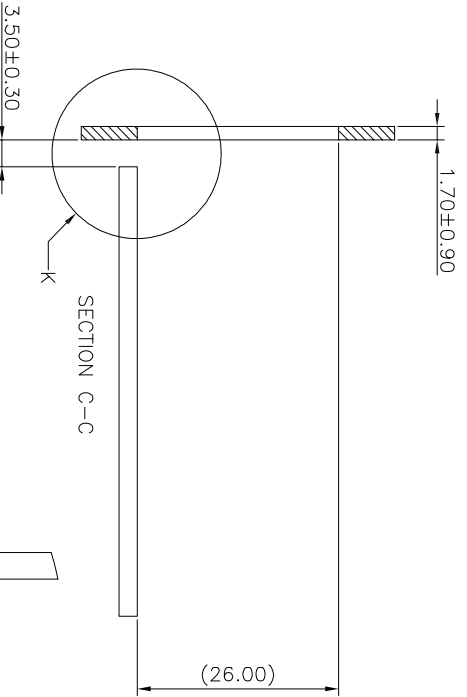
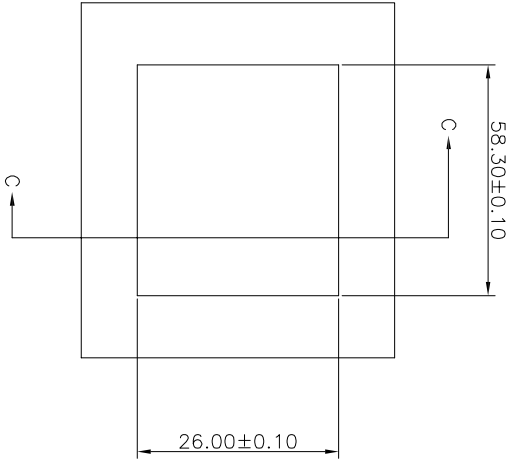
THIRD ANGLE PROJECTION						深圳磁联达电子有限公司 Shen zhen cnd-tek Electronics Co., Ltd Web: http://www.cd-tek.com	
DO NOT SCALE DRAWING		TITLE					
DRAWING IS SUBJECT TO CHANGE WITHOUT NOTICE		SFP+ 2X4 CAGE+CONNECTOR					
DIMENSIONS: mm(INCH)		PART NO:		DRN BY:	DATE:		
.X±0.20 .XXX±0.10		AE90K4104105		TONY	03-25-20		
.XX±0.15		Product: PCB JACK RJ45 RJ11 USB		APPD BY:	DATE:		
SHEET NO.		CONNECTOR SFP CONNECTOR		JIM	03-25-20		
2 OF 3		TRANSFORMER		DWG NO:	REV:		
				SFP20022	A10		



2

1

DATE	REV	ECN	APP'D_BY



A

B

RECOMMENDED BEZEL DESIGN

DETAIL K
2:1

A

B

THIRD ANGLE PROJECTION

DO NOT SCALE DRAWING
DRAWING IS SUBJECT TO CHANGE WITHOUT NOTICE
DIMENSIONS: mm(INCH)

CND-TEK
深圳磁联达电子有限公司
Shen zhen cnd-tek Electronics Co., Ltd
Web: <http://www.cd-tek.com>

TITLE
SFP+ 2X4 CAGE+CONNECTOR

PART NO: AE90K4104105

DRN BY: TONY DATE: 03-25-20

Product: PCB JACK R45 RJ11 USB
CONNECTOR SFP CONNECTOR
TRANSFORMER

APPD BY: JIM DATE: 03-25-20

DWG NO: SFP20022 REV: A10



X-ON Electronics

Largest Supplier of Electrical and Electronic Components

Click to view similar products for [Modular Connectors](#) / [Ethernet Connectors](#) category:

Click to view products by [CND-tek](#) manufacturer:

Other Similar products are found below :

[8949-H88/06BLKA/SN](#) [74441-0010/BKN](#) [PHP-6P6C-5](#) [GAX-3-66](#) [GDCX-PN-66](#) [GLX-A-44](#) [GLX-N-1010M-BLK](#) [GLX-S-88M-BLK](#)
[GMX-SMT4-N-88](#) [GSGX-N-2-88](#) [GSGX-N-4-88](#) [GSX-NS2-88-3.05](#) [GSX-NS-88-3.68](#) [PT-108A-8C-UL](#) [PTS-J531-8CS-50UL](#) [A-2014-0-4](#)
[GWLX-S9-88-YG](#) [DC-1021-8-WH-6](#) [1300530003](#) [1324640-4](#) [132764-001](#) [1413235](#) [MPS88RX-5000](#) [E5288-S000K3-L](#) [155302-001](#)
[AX101050](#) [AX101063](#) [AX101065](#) [AX101072](#) [AX101307](#) [AX101315](#) [AX101318](#) [AX102271](#) [AX102277](#) [AX102651](#) [AX102660](#) [AX104024](#)
[203475](#) [PC4D0018P](#) [KIT38082NI](#) [8949-B88/6](#) [2-6609208-5](#) [30-8956](#) [30-8964-100](#) [SM85](#) [SM99S01VBNN04G7](#) [17-103540](#) [191587](#) [PDI-68-RV](#) [PHP-8P8C-S-5](#)