

# 产品承认书

## SPECIFICATION FOR APPROVAL

CUSTOMER:	
CUSTOMER P/N:	
CND-TEK P/N. :	B2018D
DESCRIPTION:	10/100 BASE-T MAGNETICS MODULES
REF NO:	QTC-001
REV/NO:	V1.02
DATE:	2015/03/02

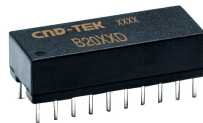
ATTACHMENT:
<input checked="" type="checkbox"/> SPECIFICATION
<input checked="" type="checkbox"/> SAMPLE    Q'TY OF SAMPLES    PCS

	√	CUSTOMER'S SIGNATURE	REMARK
FULL APPROVED			
CONDITIONAL APPROVED			
REJECTED			

# CND-TEK

## B2018D

### 10/100 BASE-T MAGNETICS MODULES



V1.0.2  
Feb 2, 2015

---

**CND-TEK**

深圳磁联达电子有限公司

Shenzhen CND-TEK Electronics Co.,Ltd

公司地址: 深圳市南山区西丽镇街道百旺社区牛城村牛城路221号505

TEL: 86-755-29016433 FAX:86- 755-27652977

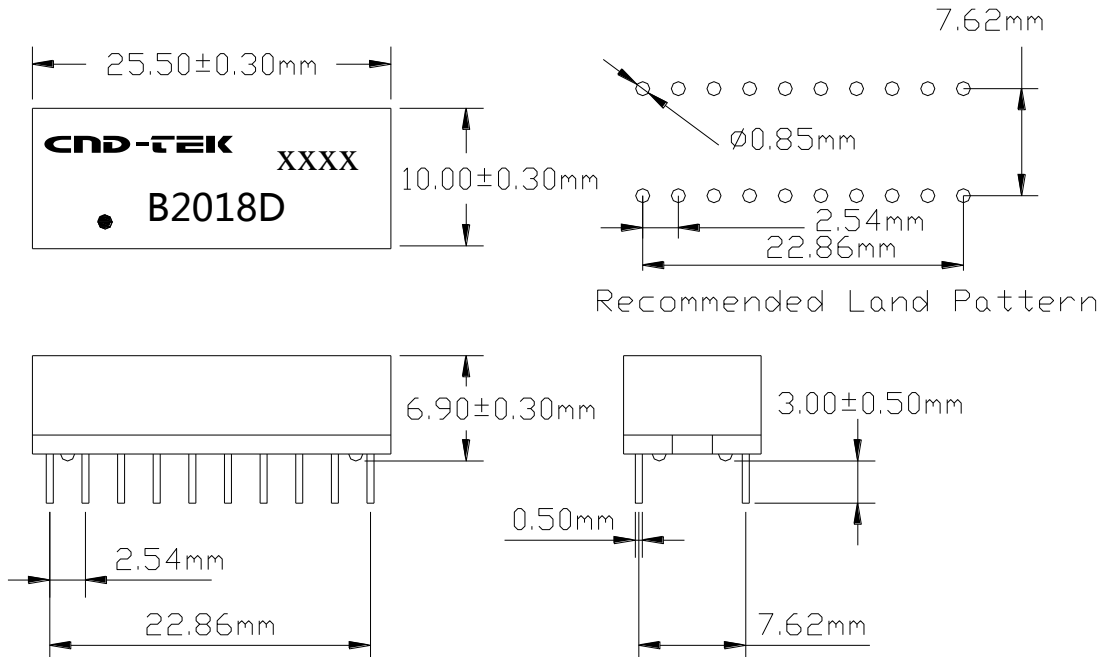
Email: sales2@cd-tek.com

Http: //www.cd-tek.com

## 1. FEATURES:

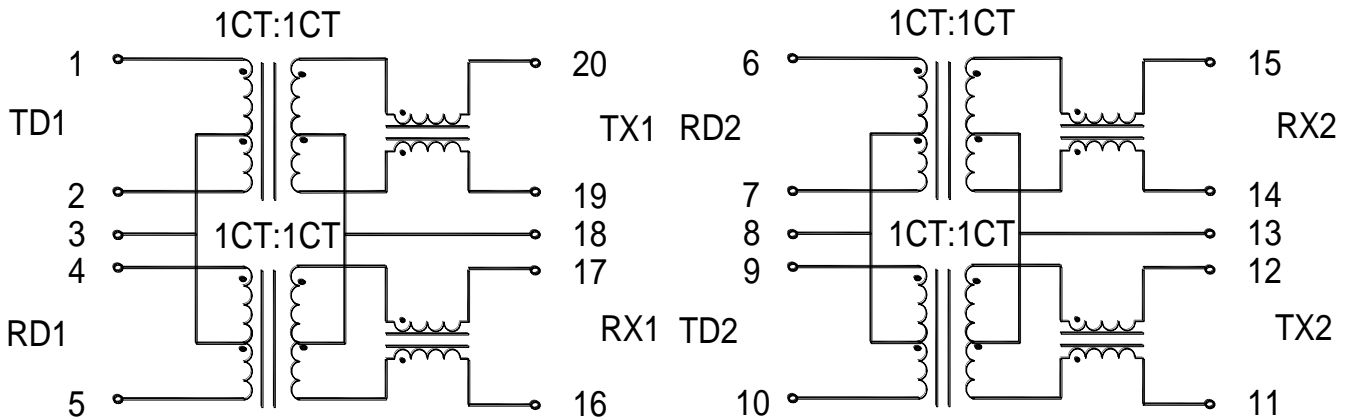
- 1.1 Quad Port transformer Modules (10/100 Base-TX) for Auto MDI/MDIX applications.
- 1.2 Compatible with IEEE 802.3 and ANSI X3.236 standard.including baseline wander compensation specification OF 350μH OCL when Biased at 8mA from 0°C to 70°C.
- 1.3 Available in Through Hole package.
- 1.4 Operating Temperature range: 0°C TO +70°C
- 1.5 Storage temperature range: -25°C TO +125°C

## 2. DIMENSIONS & MARKING



- Note:** 1、 Dimension: mm  
2、 Unless otherwise specified,all tolerances are:  $\pm 0.05 \text{ mm}$

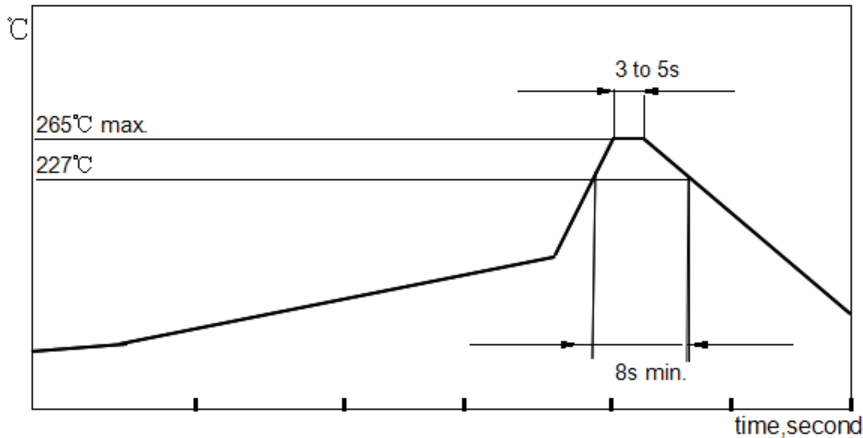
### 3. SCHEMATICS:



### 4. ELECTRICAL SPECIFICATIONS @25°C

<b>4.1 OCL :</b>	350 $\mu$ H Min. @ 100 KHz, 100mV with 8mA DC Bias
<b>4.2 Leakage Inductance:</b>	0.5 $\mu$ H Max. @ 100KHz, 0.2V
<b>4.3 Cw/w:</b>	56 pF Max. @ 100KHz, 0.2V
<b>4.4 DCR:</b>	1.20 $\Omega$ Max.
<b>4.5 Turns Ratio(<math>\pm</math>5%):</b>	1CT:1CT(TX), 1CT:1CT(RX)
<b>4.6 Polarity:</b>	1-20, 4-17, 6-15, 9-12 In-Phase
<b>4.7 Insertion Loss:</b>	-1.1 dB Max. @ 1-100MHz
<b>4.8 Return Loss:</b>	-18 dB Min. @ 0.5-30MHz -15 dB Min. @ 40 MHz -13 dB Min. @ 60 MHz -11 dB Min @ 80 MHz -10 dB Min. @ 100 MHz
<b>4.9 Cross Talk:</b>	-45 dB Min. @ 30 MHz -40 dB Min. @ 60 MHz -35 dB Min. @ 100 MHz
<b>4.10 Common Mode Rejection :</b>	-43 dB Min. @ 1-30 MHz -37dB Min. @ 60 MHz -33dB Min. @ 80-100 MHz
<b>4.11 Isolation HI-POT:</b>	1500Vrms 1mA 1Second

## 5. Recommended Lead Free IR Reflow Soldering Curve :



Item	Soldertechnique simulation	Temperature (°C)	Time(s)	Temperature ramp/immersion and emersion rate
1	Solder iron	350 ± 10 (solder irno temp)	4~5	
2	Vapor phase reflow	215 ± 5 (vapor temp)	60 ± 5	
3	IR/convection reflow	255 ± 5 (component temp)	30 ± 5	1°C/s~4°C/s time above 183°C 90s~120s

Note: The curve includes recommended value only, please adjust your equipment to make sure the solder process.Details please refers to the standard J-STD-020.

## 6. Reliability Test Criteria:

**6.1 Terminal strength:** Pull test withstand 9.8N 60+/-0.5S no looseness or movement.

**6.2 Solderbility:** Dipped in 245°C+/-5°C molten solder for 3+/-0.5 seconds,95% min shall be smooth any and bright.

**6.3 Resistance to soldering heat :** Convection reflow condition setting: peak temperature at 260°C+0/-5°C above 217°C for 90-180 seconds, ramp-up rate 2-3°C/s. Ramp-down rate 6°C/s Max. No mechanical problem found. No electrical failure found per our specification.

**6.4 Vibration:** 1.5mm amplitude total excursion 10-55-10 Hz traversed in 1minute, x.y.z, axis for 2 hours. Shall not be any abnormality.

**6.5 Random drop (Packing condition):** Height 60cm, 3 times on the wood floorboard ,shall not be any abnormality.

**6.6 Dry heat:** 100+/-2°C 96 hours.

**6.7 Cold:** -20+/-2°C 96 hours.

**6.8 Damp Heat:** 60+/-2°C, 93+/-3% RH 96 hours.

**6.9 Change of temperature:** exposed 5 cycle; each consisting of 30 minutes at -20+/-2°C,2-3minutes at 20+/-2°C,30 minutes at 85+/-2°C, 2-3 minutes at 20+/-2°C.

## X-ON Electronics

Largest Supplier of Electrical and Electronic Components

*Click to view similar products for [Audio Transformers](#) / [Signal Transformers](#) category:*

*Click to view products by [CND-tek](#) manufacturer:*

Other Similar products are found below :

[CU4S0506AT-2655-H1](#) [MGPWT-00449-P](#) [PE-64961](#) [1812WBT2-4](#) [BX1194WNL](#) [1879479-1](#) [PA1528ANL](#) [T1137NLT](#) [T3012NL](#) [PE-65848FNLT](#) [H5019EFNL](#) [CX2045ALNLT](#) [MET-14](#) [MGPWT-00059-P](#) [MGPWT-00266-P](#) [MGPWT-00278-P](#) [MGPWT-00431-P](#) [TTC-100](#) [TTC-143-H](#) [TTC-5032-1](#) [4-1879391-0](#) [100213](#) [T1142NL](#) [T1124NL](#) [1879732-1](#) [2-1879391-5](#) [B8846NL](#) [MABA-010321-CT1A42](#) [TX1341NL](#) [H0013FNL](#) [H5020FNL](#) [H2009FNLT](#) [H5004NLT](#) [S553-5999-52-F](#) [T5008NLT](#) [PE-68517T](#) [TG111-E212NWLFR](#) [MGPWT-00339-P](#) [H5014FNLT](#) [TX1473NLT](#) [PE-69011NLT](#) [CX2043LNLT](#) [H7137FNLT](#) [H1259NLT](#) [TX1344NLT](#) [LM-LP-1005L](#) [H0013NLT](#) [S558-5500-JV](#) [TX1193NLT](#) [T7015NL](#)