

CND-TEK

CB0606S

BMS Signal Transformer

V1.0.2 Feb 2,2023

CND-TEK

深圳磁联达电子有限公司

Shenzhen CND-TEK Electronics Co.,Ltd

公司地址: 深圳市南山区西丽镇街道百旺社区牛城村牛城路221号505

TEL: 86-755-29016433 FAX:86- 755-27652977

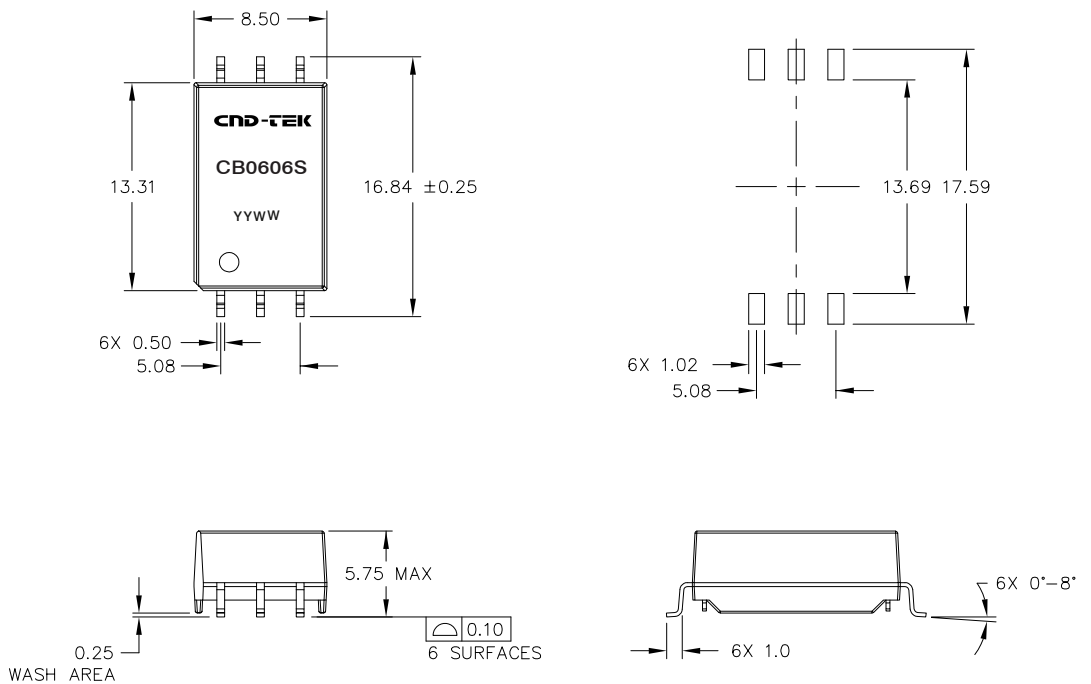
Email: sales2@cd-tek.com

Http: //www.cd-tek.com

1. FEATURES:

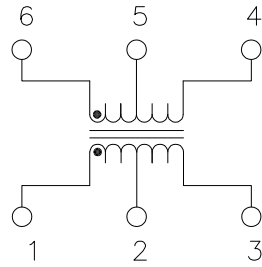
- 1.1 One channel with choke
- 1.2 Supports serial daisy chain / IsoSPI
- 1.3 Change OCL from 135uH Min,370uH MAX to 150uH Min 370uH Max
- 1.4 Operating temperature: -40 to +125 °C
- 1.5 Storage temperature: -50 to +125 °
- 1.6 1000 Vdc working voltage
- 1.7 Hi-Pot: 4300 Vdc
- 1.8 AEC-Q200 compliant
- 1.9 RoHS compliant

2. DIMENSIONS & MARKING



DIMENSIONS ARE IN MILLIMETERS WITH THE FOLLOWING TOLERANCES:
X.X= ±0.25
X.XX= ±0.13

3. SCHEMATICS:

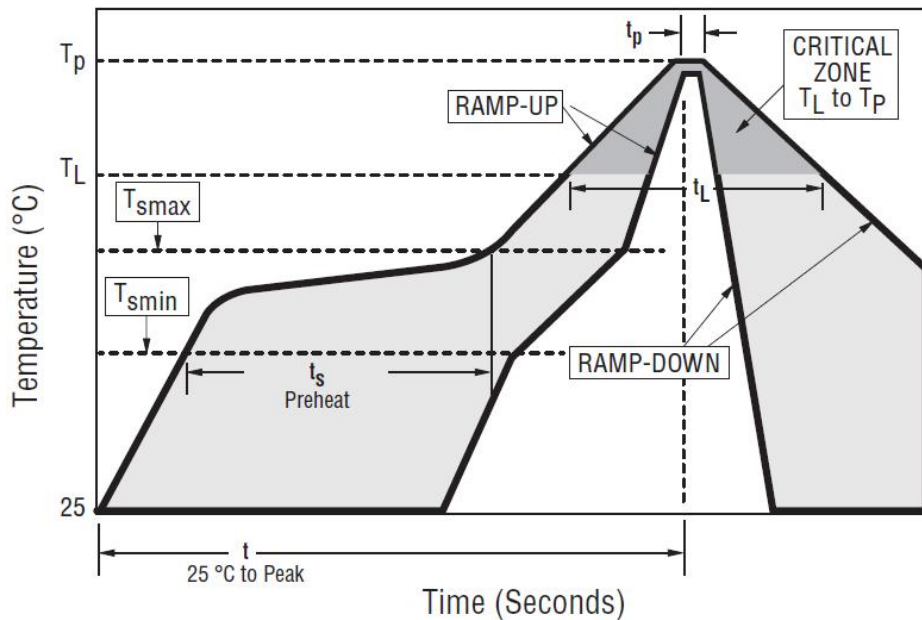


SCHEMATIC

4. ELECTRICAL SPECIFICATIONS @25°C

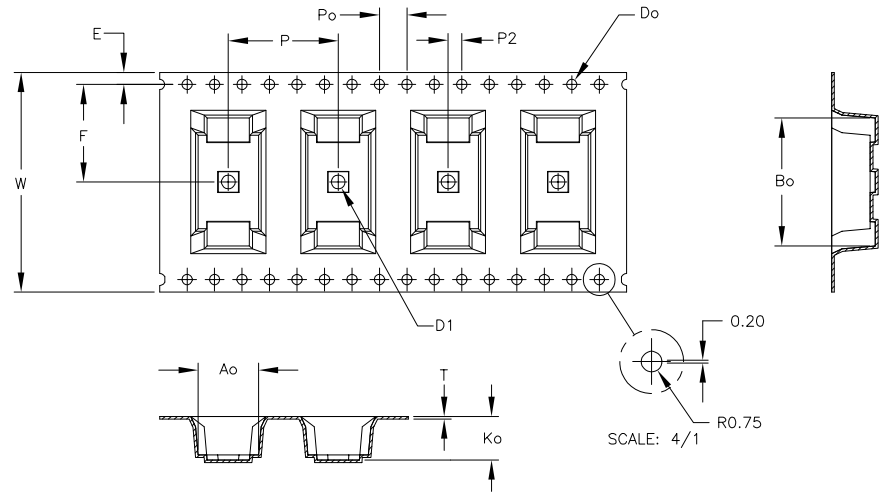
4.1 Inductance OCL:	135 μ H Min 370 μ H Max @ 100KHz 0.1V(-40°C \leq T \leq -30°C) 150 μ H Min 370 μ H Max @ 100KHz 0.1V(-30°C \leq T \leq 125°C)
4.2 Leakage Inductance:	0.50 μ H Max @ 100KHz 0.1V
4.3 DC Resistance:	0.45 Ω MAX
4.4 Turns Ratio:	1CT : 1CT \pm 2%
4.5 Insertion Loss:	4 MHz -0.25dB Max
4.6 Return Loss (Z out = 100 ohms):	4 MHz 20dB Min
4.7 Polarity:	Per Schematic
4.8 Hi-Pot:	4300 VDC 1 mA, 60 sec.
4.9 Working Voltage:	1000 Vdc
4.10 Design Construction:	Basic Insulation per ISO6469/IEC60664
4.11 Operating Temperature Range:	-40°C~+125°C
4.12 Storage Temperature Range:	-50°C~+125°C
4.13 Creepage Dsistance:	>11mm

5. Recommended Lead Free IR Reflow Soldering Curve :

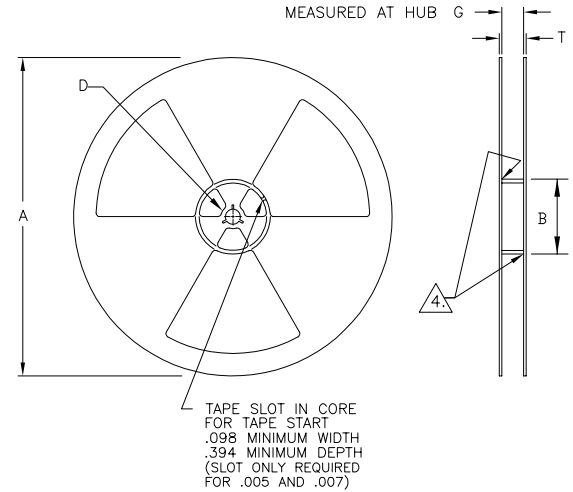


5.1 Profile Feature	Pb Free Assembly
5.2 Average Ramp Rate (T_{smax} to T_p)	3°C/second max.
5.3 Preheat- Temperature Min. (T_{smin})	150°C
5.4 Preheat- Temperature Max. (T_{smax})	200°C
5.5 Preheat- Time (t_{smin} to t_{smax})	60seconds
5.6 Time Maintained Above - Temperature (T_L) Time	217°C
5.7 Maintained Above - Time (t_L)	60 seconds
5.8 Peak Temperature (T_p)	245°C MAX
5.9 Time within 5 °C of Actual Peak Temperature (t_p)	20-40 seconds
5.10 Ramp-Down Rate	6°C/second max.
5.20 Time 25 °C to Peak Temperature	8 minutes max.

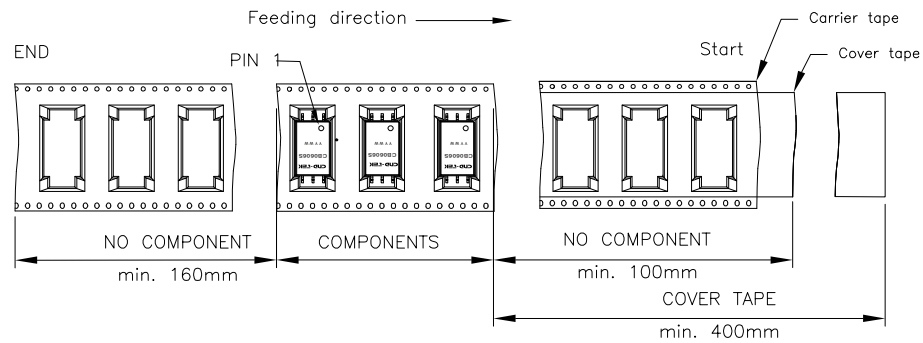
Packaging Specifications



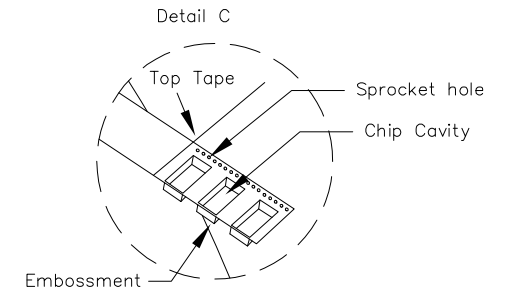
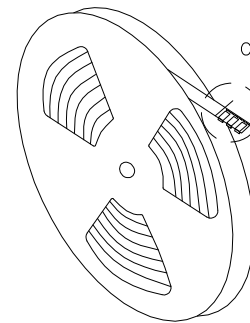
ITEM	W	Ao	Bo	Ko	K1	P	F	E	Do	D1	Po	P2	T
DIM	32.00 ±0.30	8.8 ±0.10	18.6 ±0.10	6.35 ±0.10		16.00 ±0.10	14.2 ±0.10	1.75 ±0.10	1.50 ±0.10 -0.00	2.0 ±0.10 -0.00	4.00 ±0.10	2.00 ±0.10	0.40 ±0.05



	A	B	D	T	G	G
Tolerance		min.	min.	max.	min.	max.
ape width mm	330.00	100.00	20.20	38.4	32.4	34.4



COMPONENTS PER REEL: 600 pcs



X-ON Electronics

Largest Supplier of Electrical and Electronic Components

Click to view similar products for [Power Transformers](#) category:

Click to view products by [CND-tek](#) manufacturer:

Other Similar products are found below :

[F-181U](#) [F-204U](#) [F-206U](#) [F-227X](#) [F-23U](#) [F-264U](#) [F-267U](#) [F-35U](#) [F-412X](#) [F-55X-1](#) [F-68U](#) [F-71U](#) [F-72Z](#) [F-74U](#) [F-83A](#) [F-84AC](#) [F-85U](#) [F-86U](#) [F-9U](#) [PCT-02](#) [PCT-03](#) [PCT6630](#) [PF2.5-20](#) [PPC-14](#) [PPC-46](#) [PPC-58](#) [PSD4-36](#) [GSD-150](#) [11E009H](#) [11E012H](#) [DSW-2120](#) [DSW-224](#) [DSW-228](#) [DSW-310](#) [DSW-3120](#) [DSW-356](#) [DSW-412](#) [DSW-4120](#) [DSW-424](#) [DSW-448](#) [DSW-456](#) [DSW-528](#) [DSW-556](#) [DSW-610](#) [DSW-6120](#) [DSW-624](#) [DSWC-712](#) [EN216B](#) [N-39X](#) [N-49X](#)