

# 产品承认书

## SPECIFICATION FOR APPROVAL

|                |                                     |
|----------------|-------------------------------------|
| CUSTOMER:      | _____                               |
| CUSTOMER P/N:  | _____                               |
| CND-TEK P/N. : | CB1688S                             |
| DESCRIPTION:   | 100 BASE ETHERNET TRANSFORMER/CHOKE |
| REF NO:        | QTC-001                             |
| REV/NO:        | A/0                                 |
| DATE:          | 2023/03/02                          |

|                                     |               |                 |     |
|-------------------------------------|---------------|-----------------|-----|
| ATTACHMENT:                         |               |                 |     |
| <input checked="" type="checkbox"/> | SPECIFICATION |                 |     |
| <input checked="" type="checkbox"/> | SAMPLE        | Q'TY OF SAMPLES | PCS |

|                      | √ | CUSTOMER'S SIGNATURE | REMARK |
|----------------------|---|----------------------|--------|
| FULL APPROVED        |   |                      |        |
| CONDITIONAL APPROVED |   |                      |        |
| REJECTED             |   |                      |        |

# CND-TEK

## CB1688S

100 BASE ETHERNET  
TRANSFORMER/CHOKE



V1.0.2 Feb 2,2023

**CND-TEK**

深圳磁联达电子有限公司

Shenzhen CND-TEK Electronics Co.,Ltd

公司地址: 深圳市南山区西丽镇街道百旺社区牛城村牛城路221号505

TEL: 86-755-29016433 FAX:86- 755-27652977

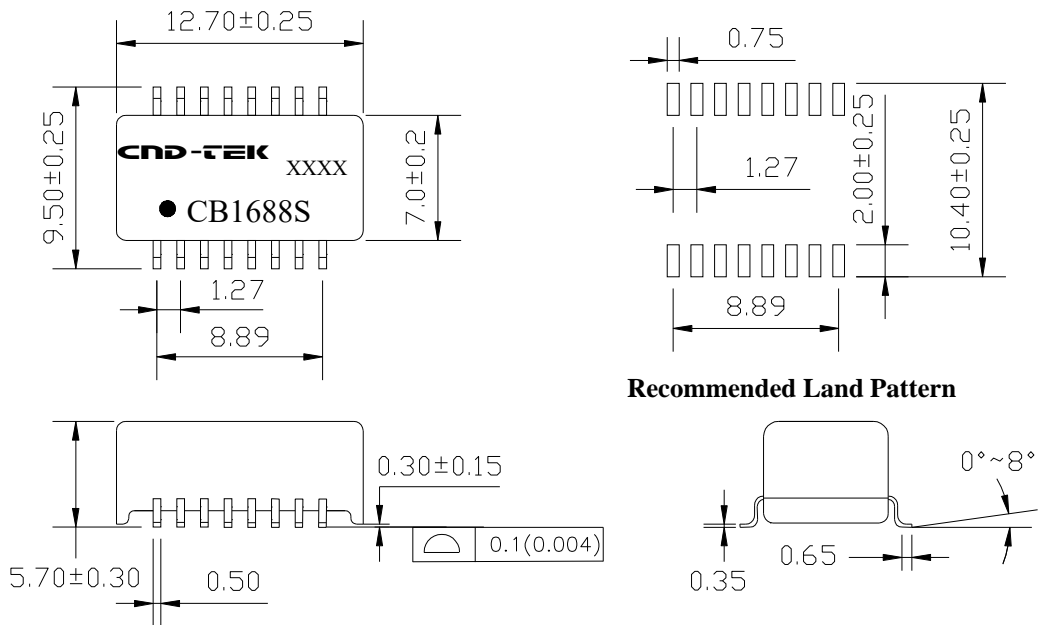
Email: sales2@cd-tek.com

Http: //www.cd-tek.com

## 1. FEATURES:

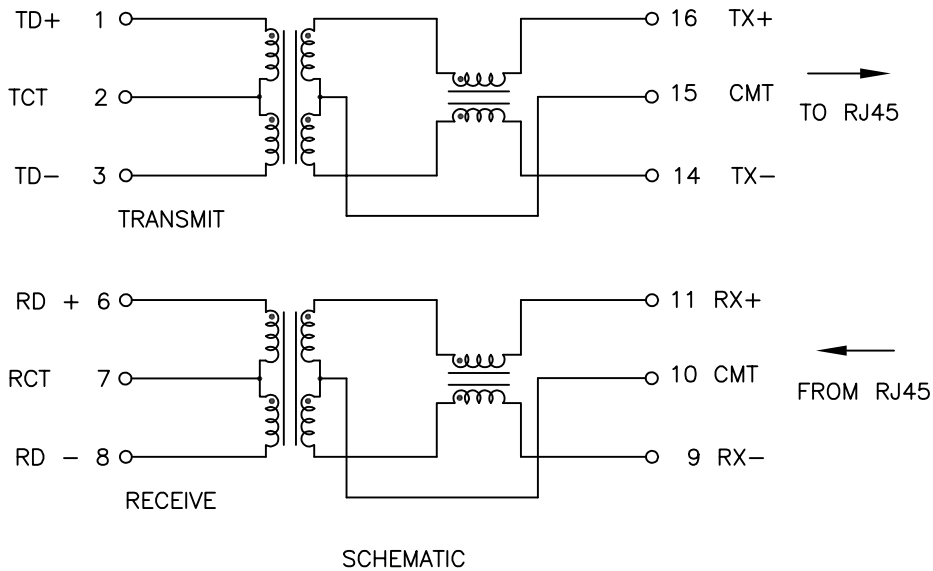
- 1.1 Compatible with various 10/100 Base-TX transceiver requiring 1:1 transmit and 1:1 receive turns ratio.
- 1.2 Compliant with IEEE 802.3 standard including baseline wander compensation specification of 350 $\mu$ H OCL when Biased at 8mA
- 1.3 Low profile Surface Mount Packaging designed for Hi-Temp Reflow Process
- 1.4 Single channel interface for 10/100Mbps Ethernet applications with CMC's tuned to Enhance EMC system performance
- 1.5 Operating temperature: -40 to +105 °
- 1.6 Storage temperature: -50 to +125 °
- 1.7 RoHS compliant

## 2. DIMENSIONS & MARKING



- Note:** 1、 Dimension : mm  
2、 Unless otherwise specified, all tolerances are :  $\pm 0.05$ mm

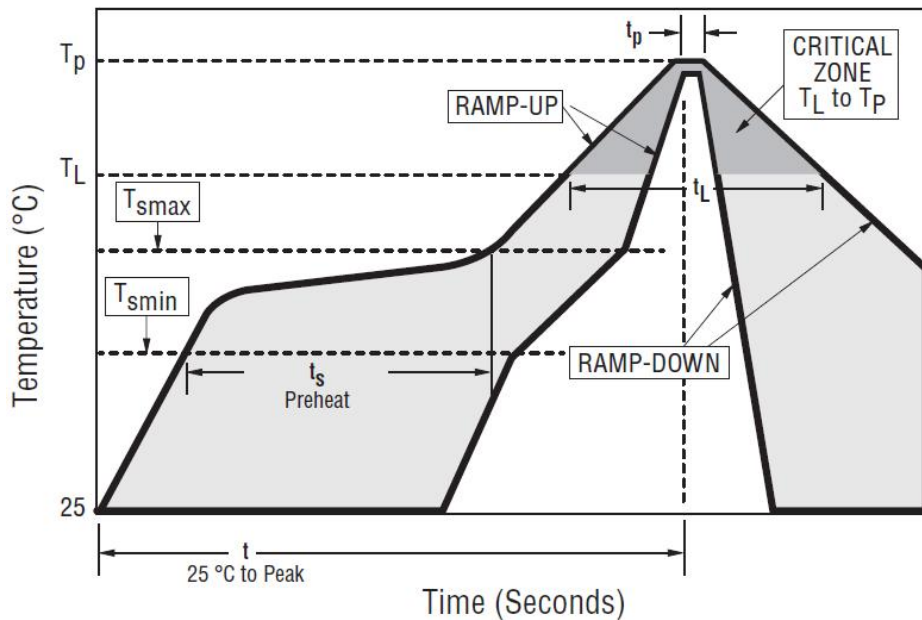
### 3. SCHEMATICS:



### 4. ELECTRICAL SPECIFICATIONS @25°C

- 4.1 OCL :** 350  $\mu$ H Min. @ 100 KHz, 100mV with 8mA DC Bias
- 4.2 Turns Ratio( $\pm 5\%$ ):** 1CT:1CT(TX), 1CT:1CT(RX)
- 4.3 Polarity:** PER SCHEMATIC
- 4.4 Insertion Loss:** -1.0dB Max @ 1-100MHz  
-3.0dB Max @125MHz
- 4.5 Return Loss:** -18dB Min. @ 5MHz  
-16+26log<sub>10</sub>(f/30 MHz) dB Min@ 30-80MHz
- 4.6 Cross Talk:** -62 dB Min.@ 1MHz  
-45+21log<sub>10</sub> (f/30 MHz )dB Min@ 5-100MHz
- 4.7 Common Mode Rejection :** -50+17log<sub>10</sub> (f/5 MHz )dB Min
- 4.8 Isolation HI-POT:** 1500Vrms minimum for 60 Second

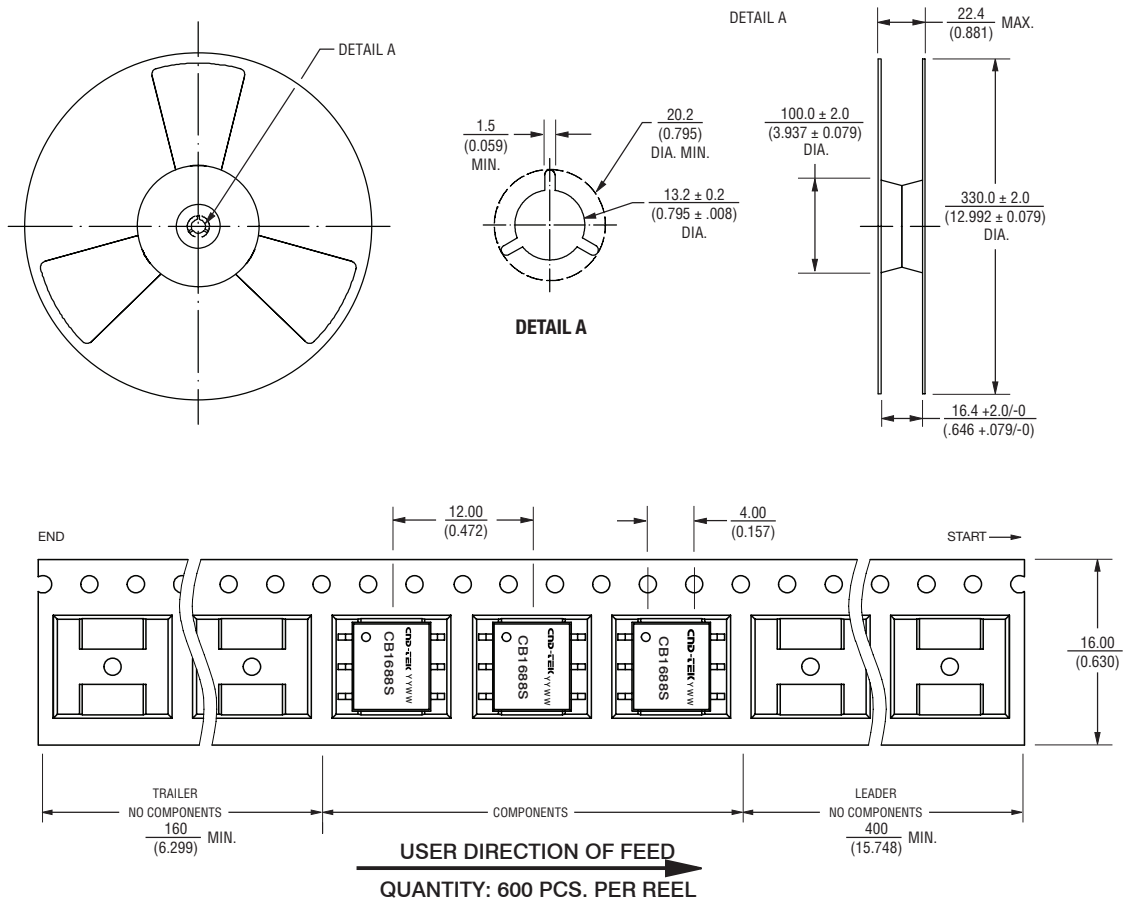
## 5. Recommended Lead Free IR Reflow Soldering Curve :



|   |                  |
|---|------------------|
| 5.1 Profile Feature                                       | Pb Free Assembly |
| 5.2 Average Ramp Rate ( $T_{smax}$ to $T_p$ )             | 3°C/second max.  |
| 5.3 Preheat- Temperature Min. ( $T_{smin}$ )              | 150°C            |
| 5.4 Preheat- Temperature Max. ( $T_{smax}$ )              | 200°C            |
| 5.5 Preheat- Time ( $t_{smin}$ to $t_{smax}$ )            | 60seconds        |
| 5.6 Time Maintained Above - Temperature ( $T_L$ ) Time    | 217°C            |
| 5.7 Maintained Above - Time ( $t_L$ )                     | 60 seconds       |
| 5.8 Peak Temperature ( $T_p$ )                            | 245°C MAX        |
| 5.9 Time within 5 °C of Actual Peak Temperature ( $t_p$ ) | 20-40 seconds    |
| 5.10 Ramp-Down Rate                                       | 6°C/second max.  |
| 5.20 Time 25 °C to Peak Temperature                       | 8 minutes max.   |

# Packing Specification

## Packaging Specifications



DIMENSIONS:  $\frac{\text{MM}}{\text{(INCHES)}}$

## X-ON Electronics

Largest Supplier of Electrical and Electronic Components

*Click to view similar products for [Audio Transformers](#) / [Signal Transformers](#) category:*

*Click to view products by [CND-tek](#) manufacturer:*

Other Similar products are found below :

[CU4S0506AT-2655-H1](#) [CX2041NLT](#) [MGPWT-00449-P](#) [PE-64961](#) [H5020FNLT](#) [H5077NLT](#) [1812WBT2-4](#) [1879479-1](#) [PA1528ANL](#)  
[T1137NLT](#) [T3012NL](#) [PE-65812FNL](#) [PE-65848FNLT](#) [H5019EFNL](#) [CX2045ALNLT](#) [MET-14](#) [MGPWT-00059-P](#) [MGPWT-00266-P](#)  
[MGPWT-00278-P](#) [MGPWT-00431-P](#) [TTC-100](#) [TTC-143-H](#) [TTC-5032-1](#) [4-1879391-0](#) [100213](#) [T1142NL](#) [HX5020FNLT](#) [HX5014FNLT](#)  
[T1124NL](#) [1879732-1](#) [2-1879391-5](#) [B8846NL](#) [MABA-010321-CT1A42](#) [TX1341NL](#) [H0013FNL](#) [H5020FNL](#) [H2009FNLT](#) [H5004NLT](#) [X-](#)  
[1619](#) [T5008NLT](#) [PE-68517T](#) [HX5084FNLT](#) [H5014FNLT](#) [TX1473NLT](#) [PE-69011NLT](#) [CX2043LNLT](#) [H7137FNLT](#) [H1259NLT](#) [LM-LP-](#)  
[1005L](#) [H0013NLT](#)