

- Flyback transformer for PoE applications.
- Terminations RoHS tin-silver-copper over tin over nickel over phos bronze. Other terminations available at additional cost.
- Operating Temperature -40°C to +105°C. (Including coil temperature rise due to self-generated heat).
- Storage Temperature -40°C to +105°C.
- Weight 6.5 g.

SIZE: EP13 5+5

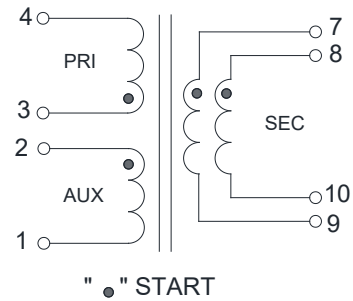


(LinkPower) Partnumber	Inductance (PIN3-4) ±10% (μH)	Leakage Inductance (PIN3-4) max(μH)	DCR Max(m Ohms)				Turns ratio(±3%)	Isolation (1mA/2Sec) Pri-Sec			
			2-1	3-4	7-8	9-10					
EP1322S-10	160	4.8uH	308	380	36	36	1:0.33:0.385(±3%)	1500			

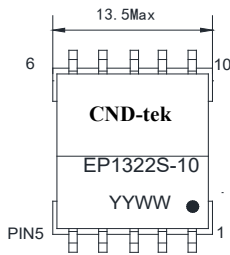
* Packing :this mark is used generally unless specified customer.

1. All data is referenced to 25°C ambient.
2. Inductance is for primary measured at 100 kHz/0A bias current/0.1Vrms.
3. Leakage Inductance is for the primary, measured at 100KHz/0A bias current /0.1Vrms while all other windings shorted together.
4. Packaging conforms to EIA-481-D standard.
MPQ(Qty/Reel):200pcs.
Qty/Carton:600pcs.
Carton size for ref:355*350*130mm.
(packing Qty.of one carton may vary depending on the order volume).
5. Appearance dimensions(mm):z

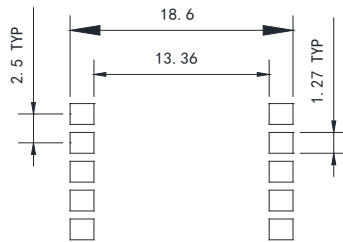
Schematics:



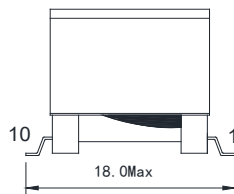
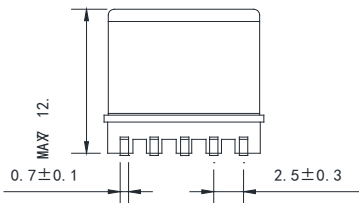
Connected pin7,8 and 9,10 on the PCB board.



TOP VIEW



SUGGESTED PAD LAYOUT



X-ON Electronics

Largest Supplier of Electrical and Electronic Components

Click to view similar products for [Power Transformers](#) category:

Click to view products by [CND-tek](#) manufacturer:

Other Similar products are found below :

[F-181U](#) [F-204U](#) [F-206U](#) [F-227X](#) [F-23U](#) [F-264U](#) [F-267U](#) [F-35U](#) [F-412X](#) [F-55X-1](#) [F-68U](#) [F-71U](#) [F-72Z](#) [F-74U](#) [F-83A](#) [F-84AC](#) [F-85U](#) [F-86U](#) [F-9U](#) [PCT-02](#) [PCT-03](#) [PCT6630](#) [PF2.5-20](#) [PPC-14](#) [PPC-46](#) [PPC-58](#) [PSD4-36](#) [GSD-150](#) [11E009H](#) [11E012H](#) [DSW-2120](#) [DSW-228](#) [DSW-310](#) [DSW-3120](#) [DSW-356](#) [DSW-412](#) [DSW-4120](#) [DSW-424](#) [DSW-448](#) [DSW-456](#) [DSW-556](#) [DSW-610](#) [DSW-6120](#) [DSW-624](#) [DSWC-712](#) [EN216B](#) [N-39X](#) [N-49X](#) [N-4MG-1](#) [N-7A](#)