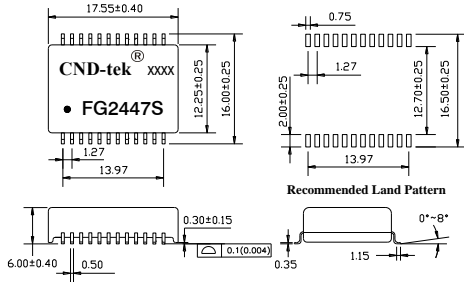


1. Designed for long haul 5G POE Single Port Transformer Module
2. Supports four pairs of category 5 UTP cable,Cable interface for isolation and low common mode emissions.
- 3 .Low profile Surface Mount Packaging designed for Hi-Temp Reflow Process
4. Compliant with IEEE 802.3bz standard for 5G Base-Z,Designed to support 1:1 Turns Ratio Transceivers
5. DC Line Current : 720mA Max @ 57V

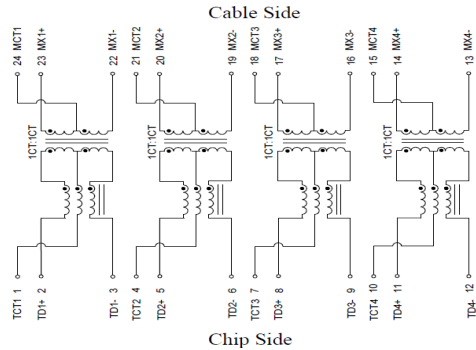


## DIMENSIONS & SCHEMATICS



**Note:**

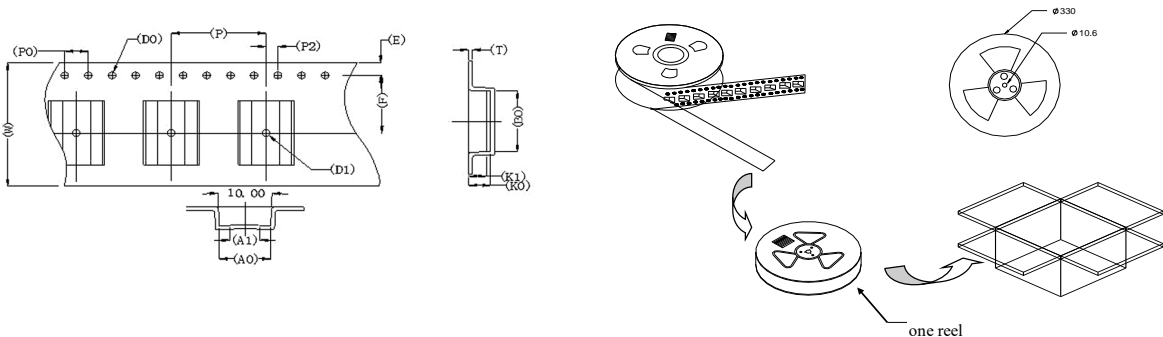
1. Dimension: mm
2. Unless otherwise specified,all tolerances are: ±0.05mm



## TECHNICAL SPECIFICATIONS

OCL :	120 $\mu$ H Min. @ 100 KHz, 100mV with 8mA DC Bias
Leakage Inductance:	0.5 $\mu$ H Max. @ 100KHz, 0.2V
Cw/w:	35 pF Max. @ 100KHz, 0.2V
DCR:	1.40 $\Omega$ Max
Turns Ratio( $\pm$ 5%):	1CT:1(TX), 1CT:1(RX)
Polarity:	1-24, 5-20, 7-18, 11-14 In-Phase
Insertion Loss:	-1.0 dB Max. @ 1-100MHz
	-1.5 dB Max. @ 375MHz
Return Loss:	-18 dB Min. @ 1-40MHz
	-17 + 10*Log(f/40)dB Min. @ 40-375MHz
Cross Talk:	-40 dB Min.@ 1-100 MHz
	-30dB Min.@ 100-375 MHz
Common Mode Rejection :	-30dB Min.@1-250MHz
	-22 dB Min.@ 250-375 MHz
Isolation HI-POT:	1500Vrms 1mA 1Second
Operating Temperature range:	-40 C $\rightarrow$ +85 C
Storage temperature range:	-40 C $\rightarrow$ +125 C )

## PACKING SPECIFICATION



1. units/reel:400PCS
- 2 reel/carton:5PCS
- 3.units/carton :2000PCS

## X-ON Electronics

Largest Supplier of Electrical and Electronic Components

*Click to view similar products for [Audio Transformers](#) / [Signal Transformers](#) category:*

*Click to view products by [CND-tek](#) manufacturer:*

Other Similar products are found below :

[CU4S0506AT-2655-H1](#) [MGPWT-00449-P](#) [PE-64961](#) [1812WBT2-4](#) [BX1194WNL](#) [1879479-1](#) [PA1528ANL](#) [T1137NLT](#) [T3012NL](#) [PE-65848FNLT](#) [H5019EFNL](#) [CX2045ALNLT](#) [MET-14](#) [MGPWT-00059-P](#) [MGPWT-00266-P](#) [MGPWT-00278-P](#) [MGPWT-00431-P](#) [TTC-100](#) [TTC-143-H](#) [TTC-5032-1](#) [4-1879391-0](#) [100213](#) [T1142NL](#) [T1124NL](#) [1879732-1](#) [2-1879391-5](#) [B8846NL](#) [MABA-010321-CT1A42](#) [TX1341NL](#) [H0013FNL](#) [H5020FNL](#) [H2009FNLT](#) [H5004NLT](#) [S553-5999-52-F](#) [T5008NLT](#) [PE-68517T](#) [TG111-E212NWLFR](#) [MGPWT-00339-P](#) [H5014FNLT](#) [TX1473NLT](#) [PE-69011NLT](#) [CX2043LNLT](#) [H7137FNLT](#) [H1259NLT](#) [TX1344NLT](#) [LM-LP-1005L](#) [H0013NLT](#) [S558-5500-JV](#) [TX1193NLT](#) [T7015NL](#)