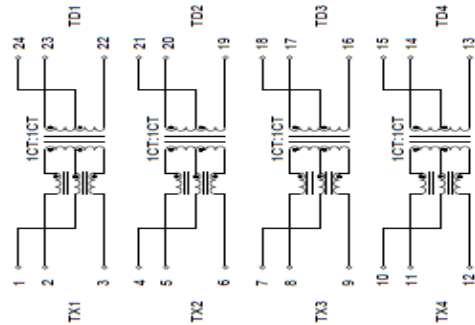
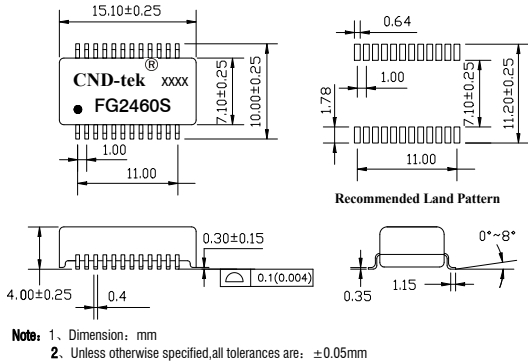


1. Designed for long haul 5G Single Port Transformer Module
2. Supports four pairs of category 5 UTP cable, Cable interface for isolation and low common mode emissions.
3. Low profile Surface Mount Packaging designed for Hi-Temp Reflow Process
4. Compliant with IEEE 802.3bz standard for 5G Base-Z, Designed to support 1:1 Turns Ratio Transceivers.



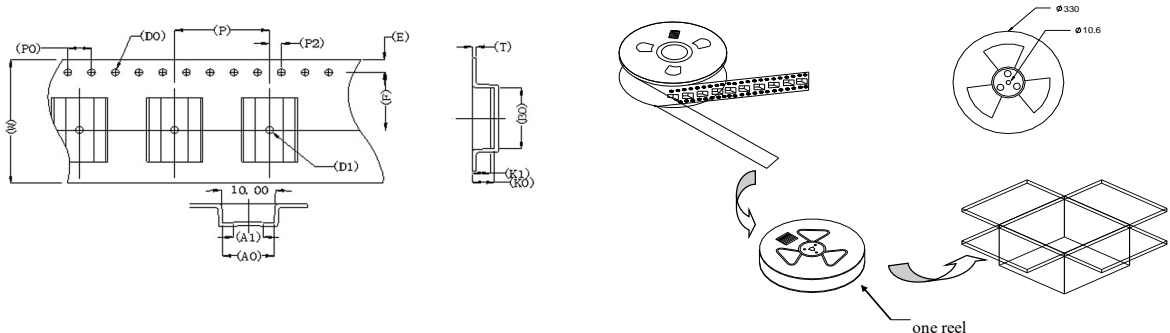
## DIMENSIONS & SCHEMATICS



## TECHNICAL SPECIFICATIONS

OCL :	150 $\mu$ H Min. @ 100 KHz, 100mV with 8mA DC Bias
Leakage Inductance:	0.35 $\mu$ H Max. @ 100KHz, 0.1V
Cw/w:	35 pF Max. @ 100KHz, 0.1V
DCR:	1.00 $\Omega$ Max
Turns Ratio( $\pm 5\%$ ):	1CT:1(TX), 1CT:1(RX)
Polarity:	1-24, 4-21, 7-18, 10-15 In-Phase
Insertion Loss:	-1.0 dB Max. @ 1-100MHz -1.5 dB Max. @ 100-150MHz -2.0 dB Max. @ 150-250MHz
Return Loss:	-15 dB Min. @ 1-100MHz -11 dB Min. @ 100-200 MHz -10 dB Min. @ 200-250 MHz
Cross Talk:	-30dB Min.@ 1-250 MHz
Common Mode Rejection :	-30 dB Min.@ 1-250 MHz
Isolation HI-POT:	1500Vrms 1mA 60Second or 1650VAC 1mA 6S
Operating Temperature range:	-40 $^{\circ}$ C ~ +85 $^{\circ}$ C
Storage temperature range:	-40 $^{\circ}$ C ~ +125 $^{\circ}$ C

## PACKING SPECIFICATION



- 1. units/reel: 850PCS
- 2 reel/carton: 5PCS
- 3. units/carton : 4250PCS

## X-ON Electronics

Largest Supplier of Electrical and Electronic Components

*Click to view similar products for [CND-tek manufacturer](#):*

Other Similar products are found below :

[10306230004](#) [10306230033H](#) [10306230038H](#) [10306230041H](#) [10306230046DH](#) [10306230047](#) [10306230049H](#) [10306230056](#) [10306230069](#)  
[10306230083H](#) [10306230154H](#) [10306230178](#) [10306230179](#) [10306230181](#) [10306230223DH](#) [10306230241D](#) [10306230242DH](#) [10306230353](#)  
[10CLD106415MH](#) [10CLD106420MH](#) [10CLD106520MH](#) [201N1Y02001](#) [20306230262](#) [303062300049](#) [30306230035D](#) [A102N3200200N](#)  
[AE71A4100010](#) [AE71K4000010](#) [AE90A2104405](#) [AE90A4004105](#) [AE90K2104005](#) [AE90K4104105](#) [B1201D](#) [B1202D](#) [B1203D](#) [B1601S](#)  
[B1603S](#) [B1605S](#) [B1608S](#) [B1617S](#) [B2009D](#) [B2018D](#) [B2019D](#) [B4001S](#) [B4004S](#) [CB0603S](#) [CB0606S](#) [CB0679S](#) [CB1688S](#) [CC2012A-801](#)