

产品承认书

SPECIFICATION FOR APPROVAL

CUSTOMER : _____

CUSTOMER P/N : _____

CND-TEK P/N. : **FG4860S**

DESCRIPTION : **2.5G BASE-T MAGNETICS MODULES**

REF NO: _____

REV/NO: **A/0**

DATE: **2022/04/01**

ATTACHMENT :

■ SPECIFICATION

■ SAMPLE Q'TY OF SAMPLES _____ PCS

	√	CUSTOMER'S SIGNATURE	REMARK
FULL APPROVED			
CONDITIONAL APPROVED			
REJECTED			

深圳磁联达电子有限公司

CND-TEK

Shenzhen CND-TEK Electronic Co. Ltd.

公司地址: 深圳市南山区西丽街道牛成路221号5楼西座

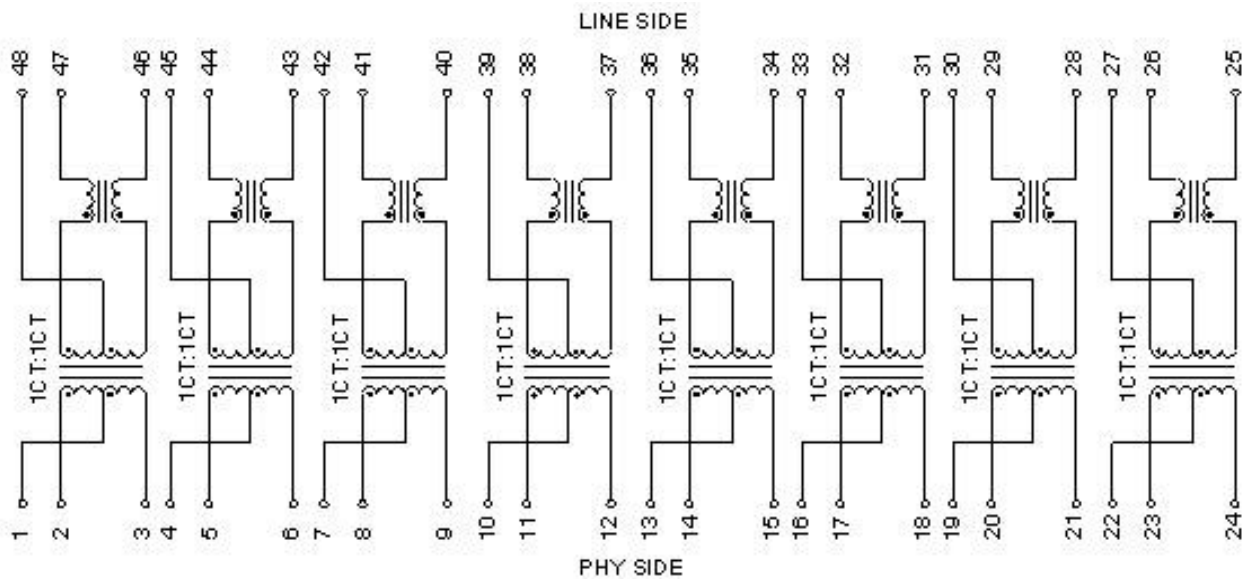
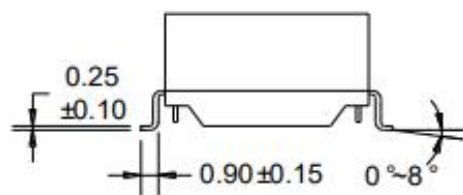
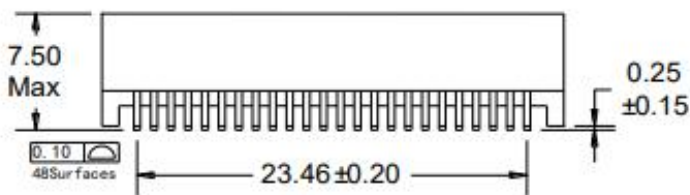
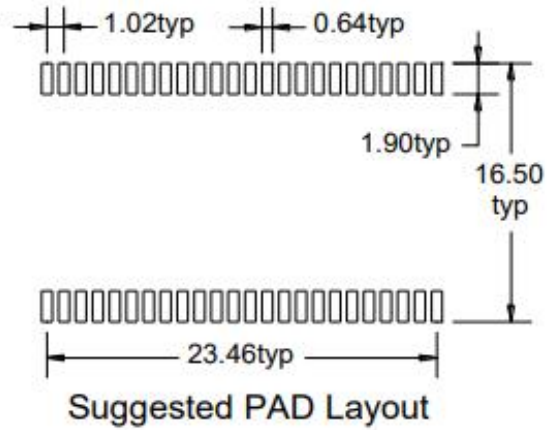
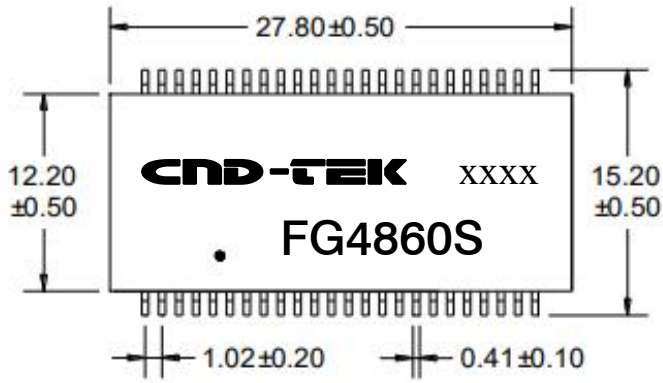
TEL: 86-755-29016433 FAX: 0755-27652977

Email: sales2@cd-tek.com

Http: //www.cd-tek.com



1. DIMENSIONS & SCHEMATICS:



DRAWN BY:	CHECKED BY:	APPROVED BY:	CUSTOMER:
wangshengli	wangshengli	wangchunxia	PART NO. : FG4860S
			REV. : A
			PAGE: 3 Of 4

ELECTRICAL SPECIFICATIONS @25°C

Inductance OCL:	180μH Min @ 100KHz 0.1V 8mA DC Bias		
Leakage Inductance:	0.35μH Max @ 100KHz 0.1V		
Interwinding Capacitance:	35pF Typ @ 100KHz 0.1V		
DC Resistance:	0.9ΩMax; Secondary: 1.2ΩMax		
Turns Ratio:	1CT:1CT±3%		
Polarity:	1-48,4-45,7-42,10-39,13-36,16-33,19-30,22-27, In-Phase		
Insertion Loss:	1-100 MHz	-1.0dB Max	
	100-150 MHz	-1.5dB Max	
	150-200 MHz	-2.0dB Max	
Return Loss	1-40MHz	-20dB Min	
	40.1-100MHz	-16dB Min	
	100.1-200MHz	-1dB Min	
Cross Talk:	1-200MHz	-30dB Min	
CMRR:	1-200MHz	-30dB Min	
Isolation HI-POT:	1500VAC 1mA	60S or 1650VAC	1mA 6S
Operating Temperature:	-40°C TO +85°C		
Product Type:	Green Product		

3. Recommended Reflow Soldering Curve:

TL = 217°C

Tp = 245°C

ts=60-180s

Ts max=200°C

Ts min=150°C

tL=60-150s

tp=20-40s

T25°C to peak=8min max

Ramp up rate=3°C/s max Ramp

down rate=6°C/s max

*ROHS Compliant

*Solder wire SAC 305 Sn 96.5/Ag 3.0/Cu 0.5

Moisture Sensitive Level:

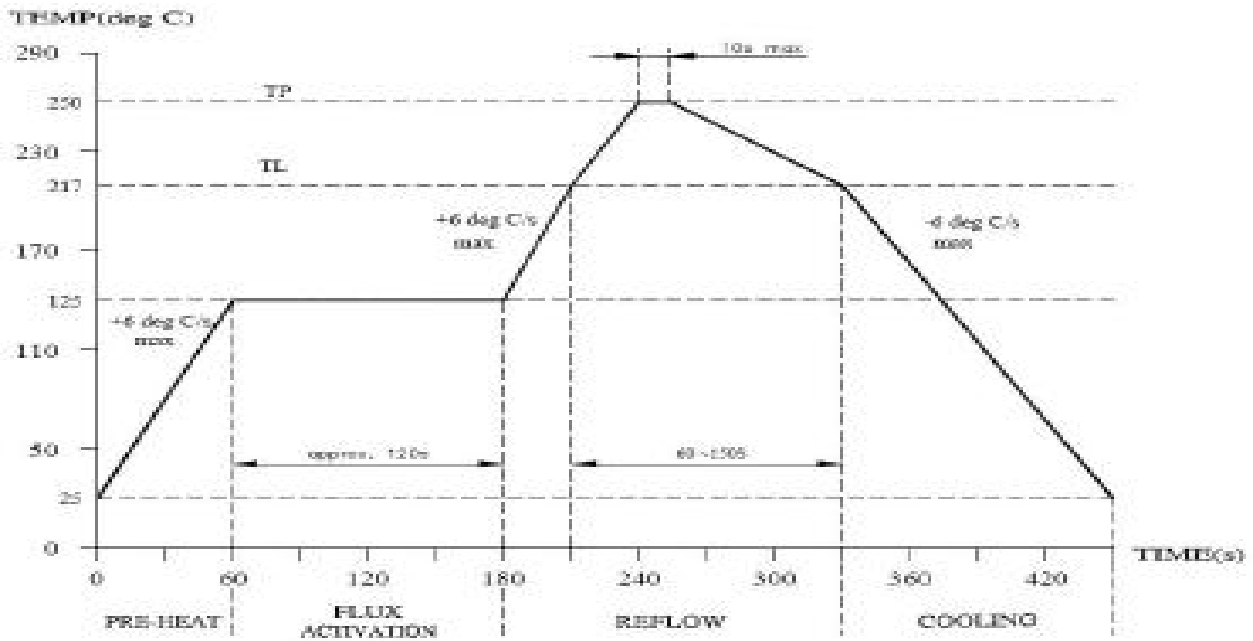
Level: 1

Floor Life: Unlimited

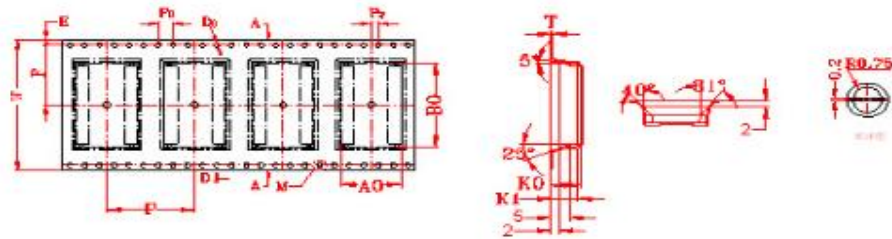
Storage Condition: ≅ 85°C/85% RH

DRAWN BY:	CHECKED BY:	APPROVED BY:	CUSTOMER:
wangshengli	wangshengli	wangchunxia	PART NO. : FG4860S
			REV. : A
			PAGE: 4 Of 4

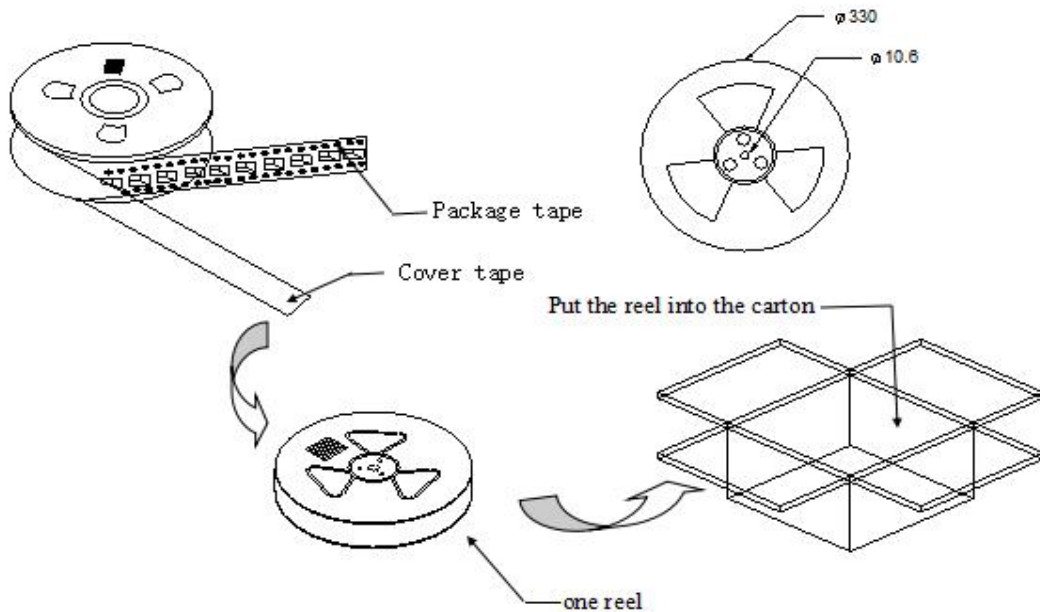
3. Recommended Reflow Soldering Curve:



3. Package Information:



ITEM	W	A ₀	B ₀	K ₁	K ₂	P	F	E	D ₀	D ₁	P ₀	P ₂	T
DIM	44.0 ^{+0.30} _{-0.30}	16.4 ^{+0.10} _{-0.10}	28.2 ^{+0.10} _{-0.10}	8.00 ^{+0.10} _{-0.10}	7.20 ^{+0.10} _{-0.10}	24.0 ^{+0.10} _{-0.10}	20.2 ^{+0.10} _{-0.10}	1.75 ^{+0.20} _{-0.20}	1.50 ^{+0.20} _{-0.10}	1.50 ^{+0.10} _{-0.10}	4.00 ^{+0.10} _{-0.10}	2.00 ^{+0.10} _{-0.10}	3.40 ^{+0.05} _{-0.05}
ALTERNATE													



350 units/reel 、 4 reel/carton、 1400 units/carton

DRAWN BY:	CHECKED BY:	APPROVED BY:	CUSTOMER:
wangshengli	wangshengli	wangchunxia	PART NO. : FG4860S
			REV. : A
			PAGE: 4 Of 4

X-ON Electronics

Largest Supplier of Electrical and Electronic Components

Click to view similar products for [Audio Transformers](#) / [Signal Transformers](#) category:

Click to view products by [CND-tek](#) manufacturer:

Other Similar products are found below :

[CU4S0506AT-2655-H1](#) [CX2041NLT](#) [MGPWT-00449-P](#) [PE-64961](#) [H5020FNLT](#) [H5077NLT](#) [1812WBT2-4](#) [1879479-1](#) [PA1528ANL](#)
[T1137NLT](#) [T3012NL](#) [PE-65812FNL](#) [PE-65848FNLT](#) [H5019EFNL](#) [CX2045ALNLT](#) [MET-14](#) [MGPWT-00059-P](#) [MGPWT-00266-P](#)
[MGPWT-00278-P](#) [MGPWT-00431-P](#) [TTC-100](#) [TTC-143-H](#) [TTC-5032-1](#) [4-1879391-0](#) [100213](#) [T1142NL](#) [HX5020FNLT](#) [HX5014FNLT](#)
[T1124NL](#) [1879732-1](#) [2-1879391-5](#) [B8846NL](#) [MABA-010321-CT1A42](#) [TX1341NL](#) [H0013FNL](#) [H5020FNL](#) [H2009FNLT](#) [H5004NLT](#) [X-](#)
[1619](#) [T5008NLT](#) [PE-68517T](#) [MGPWT-00339-P](#) [HX5084FNLT](#) [H5014FNLT](#) [TX1473NLT](#) [PE-69011NLT](#) [CX2043LNLT](#) [H7137FNLT](#)
[H1259NLT](#) [LM-LP-1005L](#)