

产品承认书

SPECIFICATION FOR APPROVAL

| | |
|----------------|-------------------------------|
| CUSTOMER: | |
| CUSTOMER P/N: | |
| CND-TEK P/N. : | G2402S |
| DESCRIPTION: | 1000 BASE-T MAGNETICS MODULES |
| REF NO: | QTC-001 |
| REV/NO: | V1.02 |
| DATE: | 2015/03/02 |

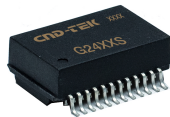
| | | | |
|-----------------|-----------------|-----|--|
| ATTACHMENT: | | | |
| ■ SPECIFICATION | | | |
| ■ SAMPLE | Q'TY OF SAMPLES | PCS | |

| | √ | CUSTOMER'S SIGNATURE | REMARK |
|----------------------|---|----------------------|--------|
| FULL APPROVED | | | |
| CONDITIONAL APPROVED | | | |
| REJECTED | | | |

CND-TEK

G2402S

1000 BASE-T MAGNETICS MODULES



V1.0.2
Feb 2, 2015

CND-TEK

深圳磁联达电子有限公司

Shenzhen CND-TEK Electronics Co.,Ltd

公司地址: 深圳市南山区西丽镇街道百旺社区牛城村牛城路221号505

TEL: 86-755-29016433 FAX:86- 755-27652977

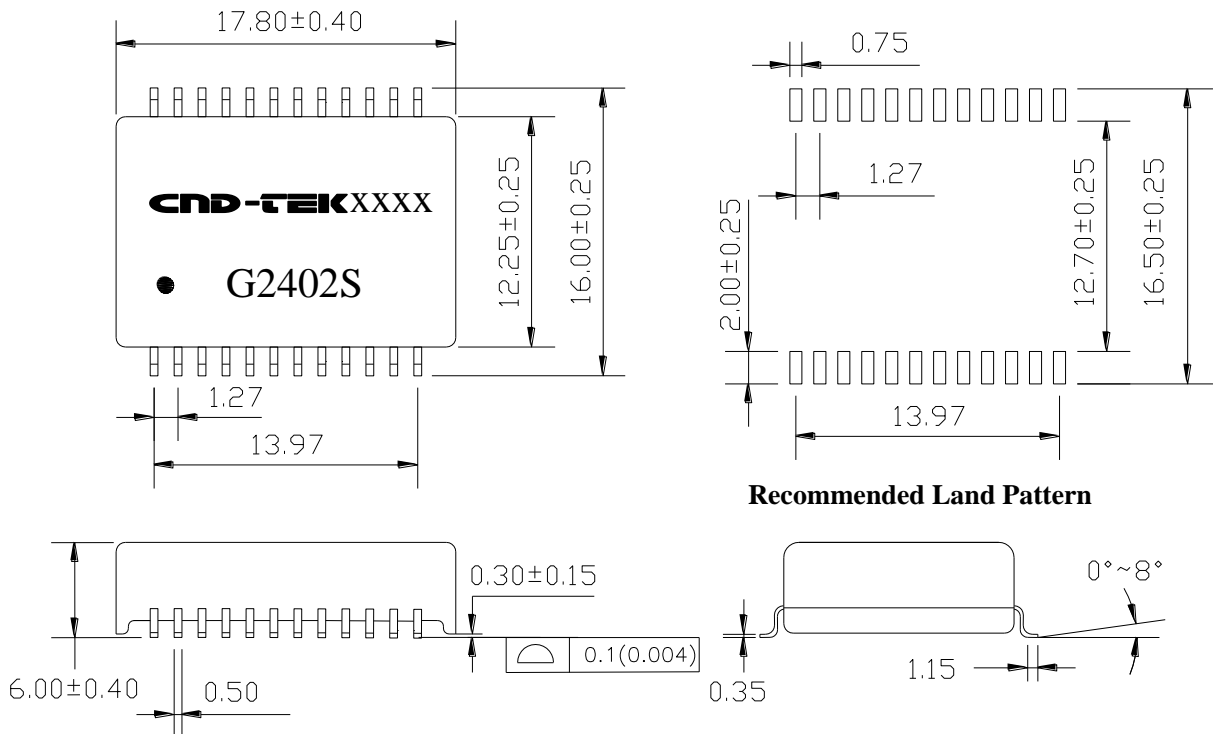
Email: sales2@cd-tek.com

Http: //www.cd-tek.com

1. FEATURES:

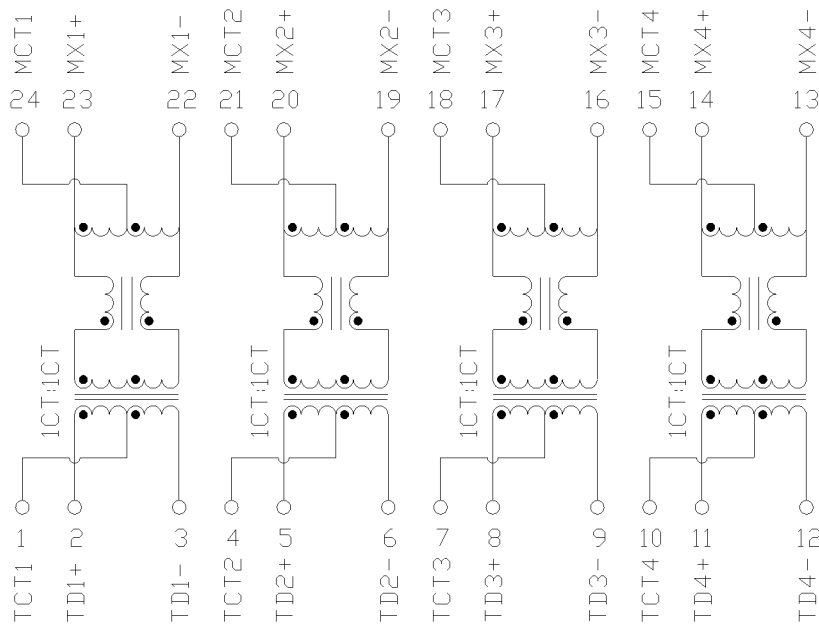
- 1.1 Designed for long haul Gigabit Ethernet 1000 Base-T, full duplex applications.
- 1.2 Supports four pairs of category 5 UTP cable.
- 1.3 Cable interface for isolation and low common mode emissions
- 1.4 Compliant with IEEE 802.3ab standard for 1000 Base-T
- 1.5 Designed to support 1:1 Turns Ratio Transceivers.
- 1.6 Operating Temperature range: 0°C TO +70°C
- 1.7 Storage temperature range: -25°C TO +125°C

2. DIMENSIONS & MARKING



- Note:**
- 1、 Dimension: mm
 - 2、 Unless otherwise specified, all tolerances are: ± 0.05 mm

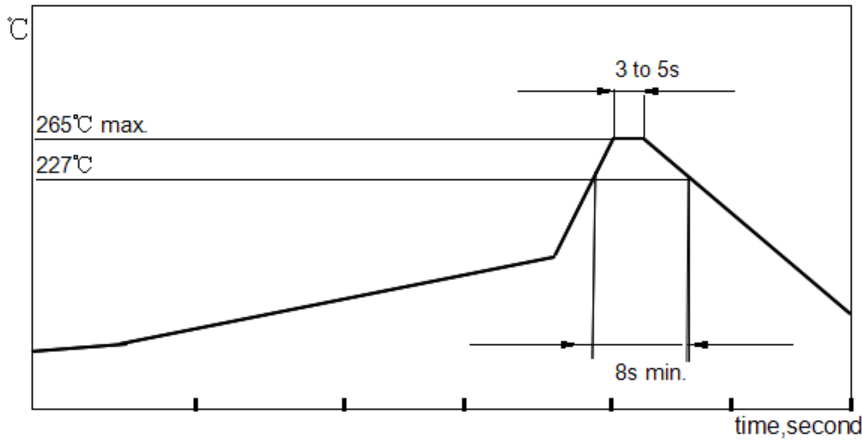
3. SCHEMATICS:



4. ELECTRICAL SPECIFICATIONS @25°C

| | |
|---|---|
| 4.1 OCL : | 350 μ H Min. @ 100 KHz, 100mV with 8mA DC Bias |
| 4.2 Leakage Inductance: | 0.5 μ H Max. @ 100KHz, 0.2V |
| 4.3 Cw/w: | 28pF Max. @ 100KHz, 0.2V |
| 4.4 DCR: | 1.20 Ω Max. |
| 4.5 Turns Ratio(\pm5%): | 1CT:1CT(TX), 1CT:1CT(RX) |
| 4.6 Polarity | 1-24, 4-21, 7-18, 10-15 In-Phase |
| 4.7 Insertion Loss: | -1.1 dB Max. @ 1-100MHz |
| 4.8 Return Loss: | -18dB Min. @ 1-30MHz -15 dB Min @ 40 MHz -13 dB Min @ 60 MHz -11 dB Min @ 80 MHz -10 dB Min.@ 100 MHz |
| 4.9 Cross Talk: | -45 dB Min.@ 30 MHz -40 dB Min.@ 60 MHz -35 dB Min.@ 100 MHz |
| 4.10 Common Mode Rejection : | -43 dB Min.@ 1-30 MHz -37 dB Min.@ 60 MHz -33dB Min.@ 80-100 MHz |
| 4.11 Isolation HI-POT: | 1500Vrms 1mA 1Second |

5. Recommended Lead Free IR Reflow Soldering Curve :



| Item | Soldertechnique simulation | Temperature (°C) | Time(s) | Temperature ramp/immersion and emersion rate |
|------|----------------------------|--------------------------------|---------|--|
| 1 | Solder iron | 350 ± 10 (solder irno temp) | 4~5 | |
| 2 | Vapor phase reflow | 215 ± 5 (vapor temp) | 60 ± 5 | |
| 3 | IR/convection reflow | 255 ± 5 (component temp) | 30 ± 5 | 1°C/s~4°C/s time above 183°C 90s~120s |

Note: The curve includes recommended value only, please adjust your equipment to make sure the solder process.Details please refers to the standard J-STD-020.

6. Reliability Test Criteria:

6.1 Terminal strength: Pull test withstand 9.8N 60+/-0.5S no looseness or movement.

6.2 Solderbility: Dipped in 245°C+/-5°C molten solder for 3+/-0.5 seconds,95% min shall be smooth any and bright.

6.3 Resistance to soldering heat : Convection reflow condition setting: peak temperature at 260°C+0/-5°C above 217°C for 90-180 seconds, ramp-up rate 2-3°C/s. Ramp-down rate 6°C/s Max. No mechanical problem found. No electrical failure found per our specification.

6.4 Vibration: 1.5mm amplitude total excursion 10-55-10 Hz traversed in 1minute, x.y.z, axis for 2 hours. Shall not be any abnormality.

6.5 Random drop (Packing condition): Height 60cm, 3 times on the wood floorboard ,shall not be any abnormality.

6.6 Dry heat: 100+/-2°C 96 hours.

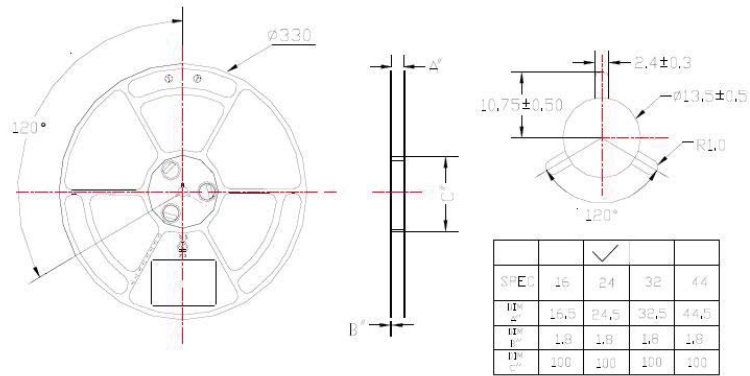
6.7 Cold: -20+/-2°C 96 hours.

6.8 Damp Heat: 60+/-2°C, 93+/-3% RH 96 hours.

6.9 Change of temperature: exposed 5 cycle; each consisting of 30 minutes at -20+/-2°C,2-3minutes at 20+/-2°C,30 minutes at 85+/-2°C, 2-3 minutes at 20+/-2°C.

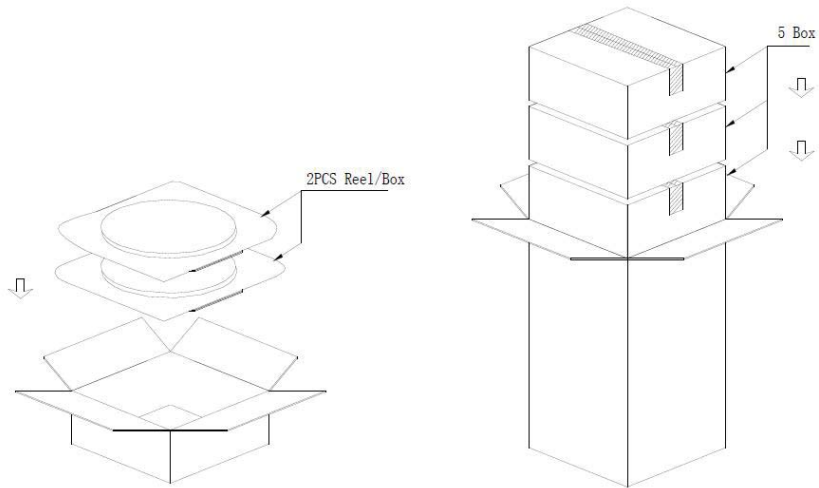
Packing Specification

1、 Each Reel Qty : 420pcs/pkg



2、 Total unit transformer in carton:

$$420 \times 5 \text{ (Total Reel in Carton)} = 2100 \text{ PCS}$$



X-ON Electronics

Largest Supplier of Electrical and Electronic Components

Click to view similar products for [Audio Transformers](#) / [Signal Transformers](#) category:

Click to view products by [CND-tek](#) manufacturer:

Other Similar products are found below :

[CU4S0506AT-2655-H1](#) [MGPWT-00449-P](#) [PE-64961](#) [1812WBT2-4](#) [BX1194WNL](#) [1879479-1](#) [PA1528ANL](#) [T1137NLT](#) [T3012NL](#) [PE-65848FNLT](#) [H5019EFNL](#) [CX2045ALNLT](#) [MET-14](#) [MGPWT-00059-P](#) [MGPWT-00266-P](#) [MGPWT-00278-P](#) [MGPWT-00431-P](#) [TTC-100](#) [TTC-143-H](#) [TTC-5032-1](#) [4-1879391-0](#) [100213](#) [T1142NL](#) [T1124NL](#) [1879732-1](#) [2-1879391-5](#) [B8846NL](#) [MABA-010321-CT1A42](#) [TX1341NL](#) [H0013FNL](#) [H5020FNL](#) [H2009FNLT](#) [H5004NLT](#) [S553-5999-52-F](#) [T5008NLT](#) [PE-68517T](#) [TG111-E212NWLFR](#) [MGPWT-00339-P](#) [H5014FNLT](#) [TX1473NLT](#) [PE-69011NLT](#) [CX2043LNLT](#) [H7137FNLT](#) [H1259NLT](#) [TX1344NLT](#) [LM-LP-1005L](#) [H0013NLT](#) [S558-5500-JV](#) [TX1193NLT](#) [T7015NL](#)