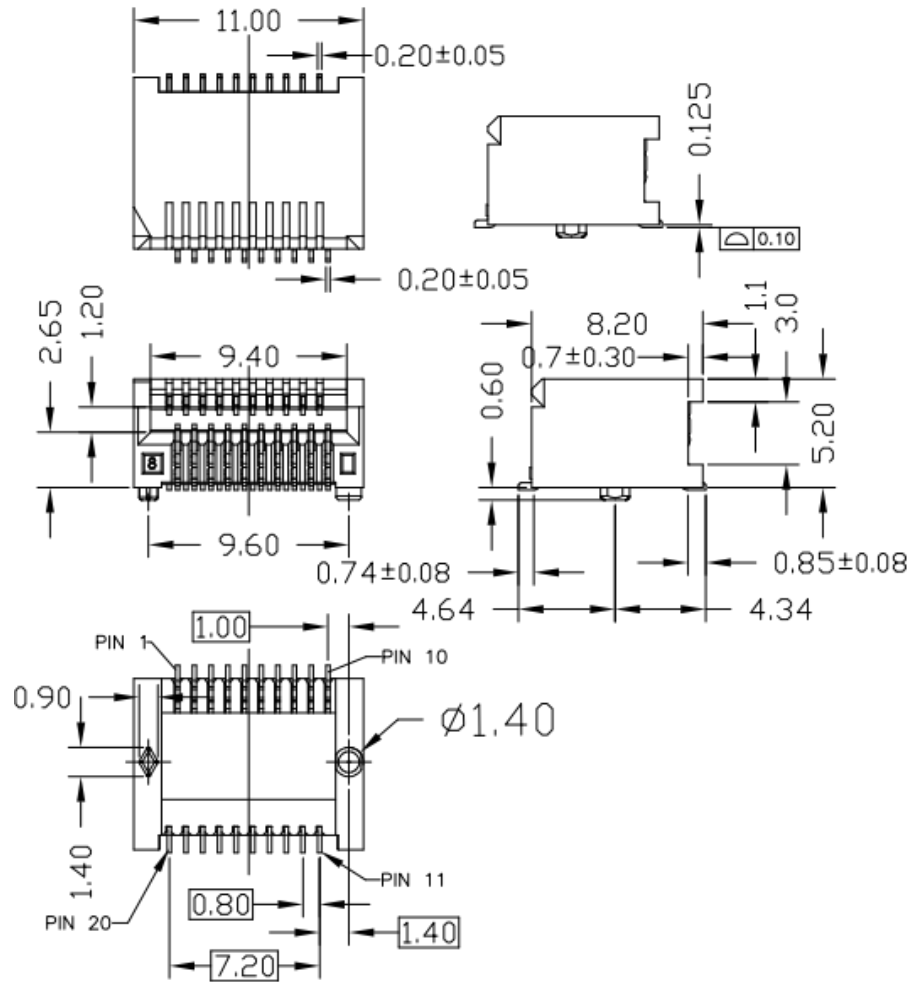


MECHANICAL DIMENSION



NOTES:

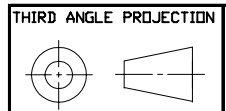
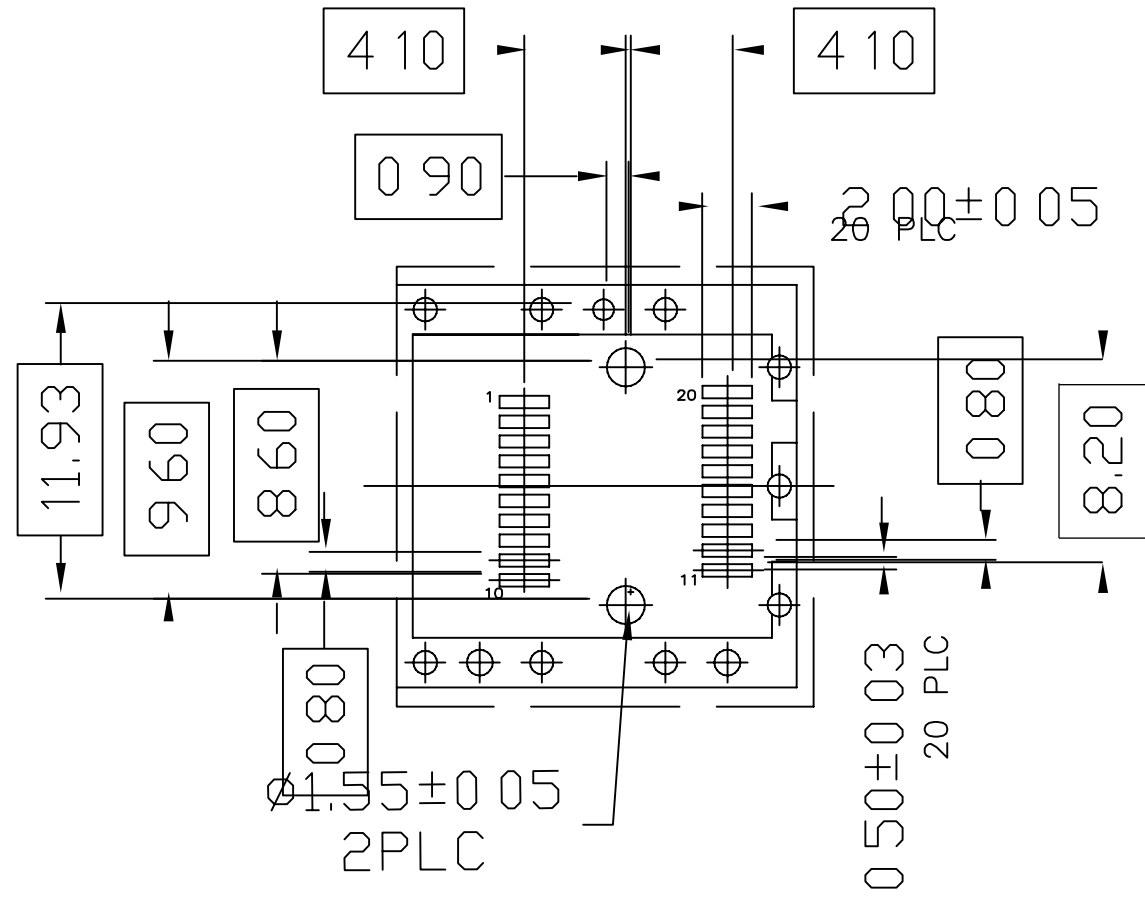
1. MATERIAL  
HOUSING: HIGH TEMPERATURE LCP, Black, UL94 V-0.
2. CONTACTS: PHOSPHOR BRONZE  
PLATING :15μ" GOLD ON MATING AREA,  
GOLD FLASH PLATING ON  
SOLDER TAILS, 50μ" NICKEL  
UNDERPLATING OVERALL.
3. MECHANICAL REQUIREMENT:  
3.1 DURABILITY:100 CYCLES MIN.  
3.2 INSERTION AND EXTRACTION FORCE:40N MAX. & 11.5N MAX.
4. ENVIRONMENTAL:  
4.1 CONTACT RESISTANCE:20 MILLIOHMS MAX INITIAL.  
4.2 DIELECTRIC WITHSTANDING VOLTAGE: 300V AC/MIN.  
4.3 CURRENT RATING: 0.5 Amps Max.  
4.4 OPERATION: -40°C TO +95°C  
4.5 STORAGE: -55°C TO +105°C  
4.6 REFLOW SOLDERING TEMPERATURE: 255~265° MAXIMUM  
FOR 5~10 SECONDS.  
4.9 ROHS COMPLIANT
5. PACKAGING: TAPE AND REEL



THIRD ANGLE PROJECTION		I	
		深圳磁联达电子有限公司 <b>CND-TEK</b> Shen zhen cnd-tek Electronics Co., Ltd Web: <a href="http://www.cd-tek.com">http://www.cd-tek.com</a>	
DO NOT SCALE DRAWING		TITLE	
DRAWING IS SUBJECT TO CHANGE WITHOUT NOTICE		SFP+连接器	
DIMENSIONS: mm(INCH)		PART NO: G72SK210C01	DRN BY: TONY DATE: 12-10-08
.X±0.20 .XXX±0.10		Product: PCB JACK RJ45 RJ11 USB CONNECTOR SFP CONNECTOR TRANSFORMER	APPD BY: JIM DATE: 12-10-08
SHEET NO. 1 OF 4			DWG NO: SFP2C21 REV: A10

B

A

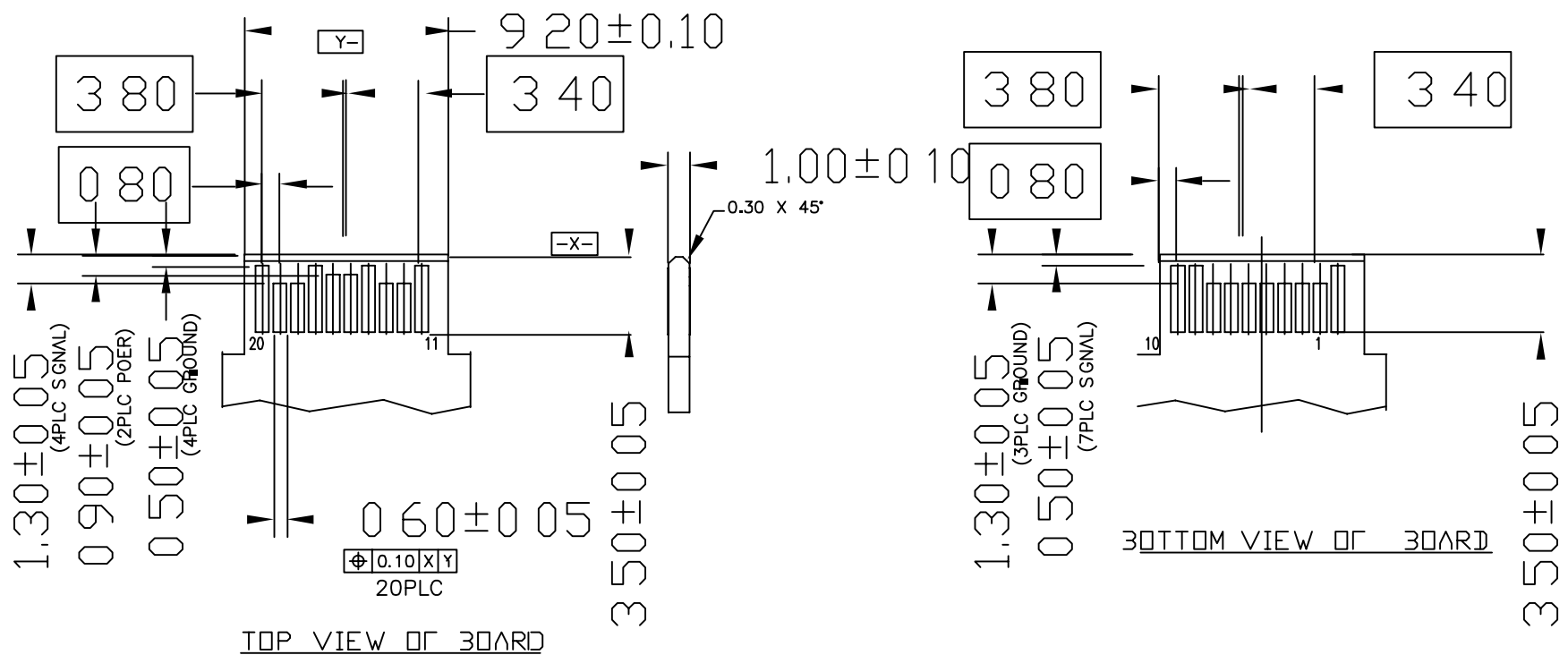


DO NOT SCALE DRAWING  
DRAWING IS SUBJECT TO CHANGE WITHOUT NOTICE

DIMENSIONS: mm(INCH)  
.XX±0.15  
SHEET NO. 2 OF 4

深圳磁联达电子有限公司 Shen zhen cnd-tek Electronics Co., Ltd Web: http://www.cd-tek.com	
TITLE SFP+连接器	
PART NO: G72SK210C01	DRN BY: TONY
DATE: 12-10-08	
Product: PCB JACK RJ45 RJ11 USB CONNECTOR SFP CONNECTOR TRANSFORMER	APPD BY: JIM
DATE: 12-10-08	
DWG NO: SFP2C21	REV: A10





TOP VIEW OF BOARD

BOTTOM VIEW OF BOARD

RECOMMENDED LAYOUT DETAIL MATING TRANSFORMER PCB

B

A

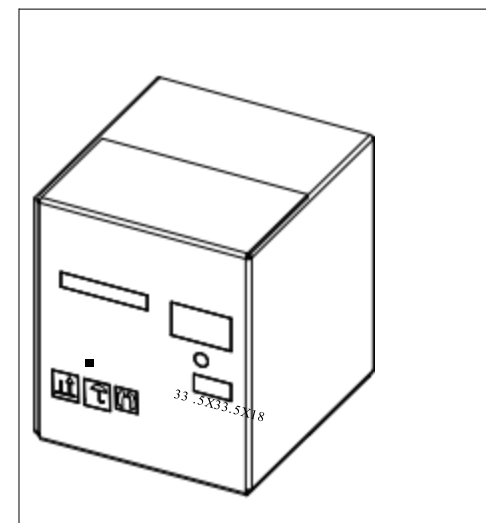
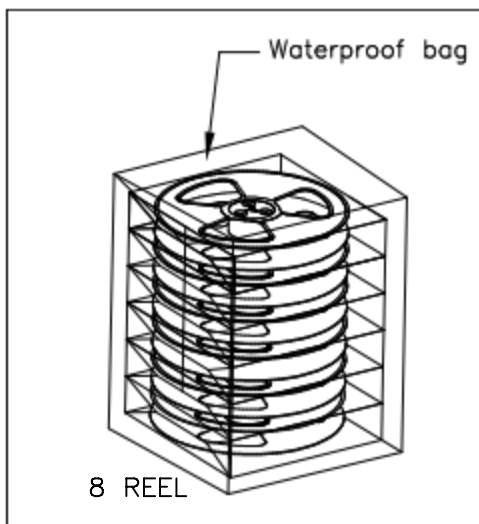
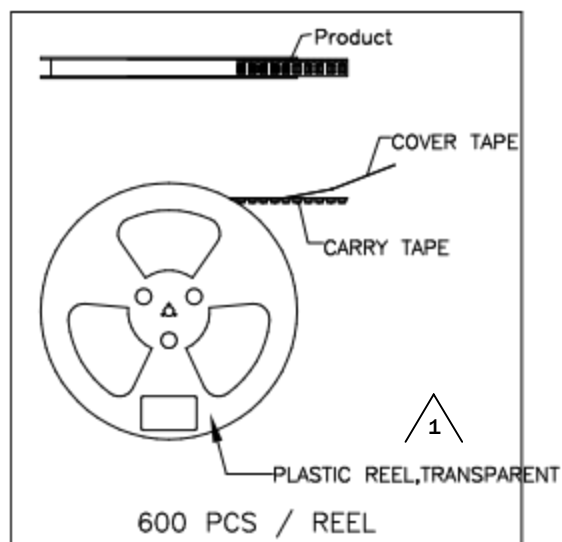
		<b>CND-TEK</b> 深圳磁联达电子有限公司 Shen zhen cnd-tek Electronics Co., Ltd Web: <a href="http://www.cd-tek.com">http://www.cd-tek.com</a>	
DO NOT SCALE DRAWING DRAWING IS SUBJECT TO CHANGE WITHOUT NOTICE		TITLE SFP+连接器	
DIMENSIONS: mm(INCH) .X±0.20 .XXX±0.10		PART NO: G72SK210C01	DRN BY: TONY
SHEET NO. 3 OF 4		Product: PCB JACK RJ45 RJ11 USB CONNECTOR SFP CONNECTOR TRANSFORMER	DATE: 12-10-08
		DWG NO: SFP2C21	REV: A10



2 2

1 1

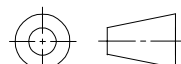

# PACKAGE INFORMATION AND LABEL



PACKING QUANTITY : 600 PCS FINISHED GOODS PER REEL.

8 REEL (4800 PCS FINISHED GOODS) PER CARTON BOX.



THIRD ANGLE PROJECTION						深圳磁联达电子有限公司 Shen zhen cnd-tek Electronics Co., Ltd Web: <a href="http://www.cd-tek.com">http://www.cd-tek.com</a>	
DO NOT SCALE DRAWING		TITLE					
DRAWING IS SUBJECT TO CHANGE WITHOUT NOTICE		SFP+连接器					
DIMENSIONS: mm(INCH)		PART NO:		DRN BY:		DATE:	
.X±0.20 .XXX±0.10		G72SK210C01		TONY		12-10-08	
.XX±0.15		Product: PCB JACK RJ45 RJ11 USB CONNECTOR SFP CONNECTOR TRANSFORMER		APPD BY:		DATE:	
SHEET NO. 4 OF 4				JIM		12-10-08	
				DWG NO:		REV:	
				SFP2C21		A10	

## X-ON Electronics

Largest Supplier of Electrical and Electronic Components

*Click to view similar products for [Standard Card Edge Connectors](#) category:*

*Click to view products by [CND-tek](#) manufacturer:*

Other Similar products are found below :

[CR7E-30DB-3.96E\(72\)](#) [6565204-6](#) [1437274-4](#) [EBT156-22R2W](#) [1-582587-1](#) [284-0102-12100](#) [286-0052-12101A](#) [306022901000000](#) [307-056-520-300](#) [A6D22DS29C2](#) [1926088-2](#) [245-062-520-350](#) [287-0032-12101](#) [306-028-525-102](#) [307-072-526-202](#) [345-060-559-303](#) [534671-1](#) [341-240-317](#) [345-044-500-300](#) [346-240-318](#) [395-100-524-300](#) [09-07-2032](#) [10035388-802LF](#) [10115859-011LF](#) [10122859-009LF](#) [101269333204245CLF](#) [530555-1](#) [66925-516LF](#) [5145409-2](#) [73726-0005](#) [66308-1](#) [5036A30](#) [PEC-07-02-T-S-A](#) [KSLX-62-BR](#) [CE100F26-7-C](#) [CE100F28-3-D](#) [CE100F28-4-D](#) [CE156F22-9-C](#) [CT100F24-3-D](#) [CT100F24-6-C](#) [MLSS100-12-C](#) [SCC100F-11-C](#) [SCC100F-20-C](#) [SCC100F-24-C](#) [SCC100F-25-C](#) [3-530656](#) [285-0112-12300](#) [346-068-556-300](#) [284-0492-11000](#) [287-0032-12301](#)