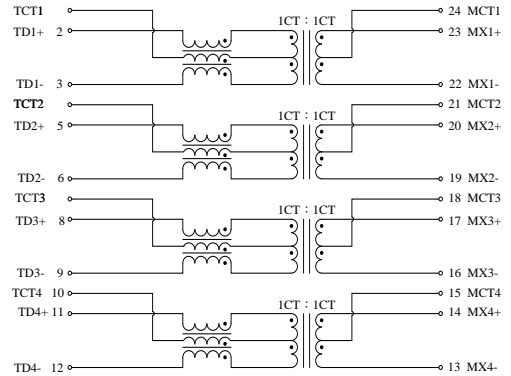
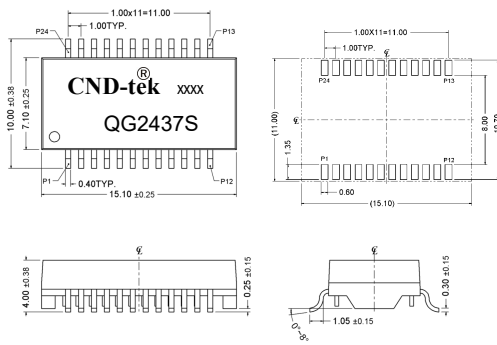


1. Designed for long haul 2.5G Single Port Transformer Module
2. Supports four pairs of category 5 UTP cable, Cable interface for isolation and low common mode emissions.
3. Low profile Surface Mount Packaging designed for Hi-Temp Reflow Process
4. Compliant with IEEE 802.3bz standard for 2.5G Base-Z, Designed to support 1:1 Turns Ratio Transceivers.



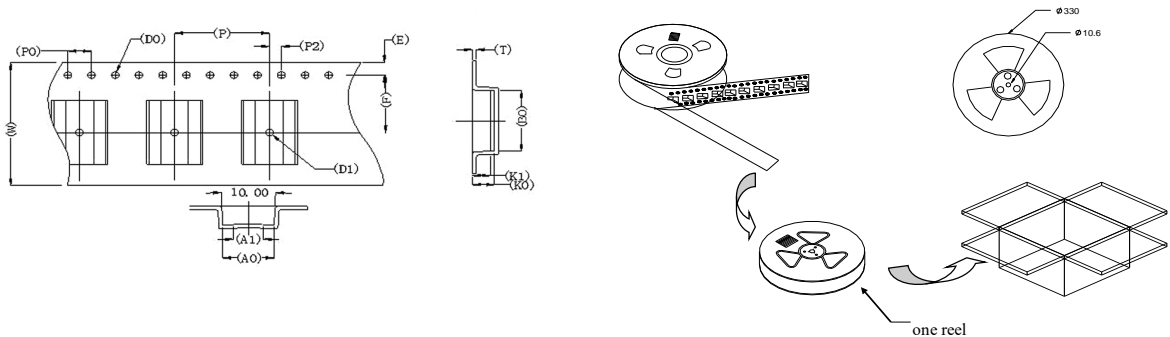
DIMENSIONS & SCHEMATICS



TECHNICAL SPECIFICATIONS

OCL :	180 μ H Min. @ 100 KHz, 100mV with 8mA DC Bias
Leakage Inductance:	0.5 μ H Max. @ 100KHz, 0.1V
Cw/w:	28 pF Max. @ 100KHz, 0.1V
DCR:	1.00 Ω Max
Turns Ratio (\pm 5%):	1CT:1 (TX), 1CT:1 (RX)
Polarity:	2-23, 5-20, 8-17, 11-14 In-Phase
Insertion Loss:	-0.5dB Max. @ 1-50MHz -1.0 dB Min. @ 50-125MHz -2.0 dB Min. @ 125-200MHz
Return Loss:	-20 dB Min. @ 1-40MHz -20 + 15*Log(f/40) dB Min. @ 40-200 MHz
Cross Talk:	-30 dB Min. @ 1-125MHz -25 dB Min. @ 125-200MHz
Common Mode Rejection :	-25 dB Min. @ 1-200MHz
Isolation HI-POT:	1500Vrms 1mA 1Second
Operating Temperature range:	-40 $^{\circ}$ C ~ +85 $^{\circ}$ C
Storage temperature range:	-40 $^{\circ}$ C ~ +125 $^{\circ}$ C

PACKING SPECIFICATION



1. units/reel:850PCS
- 2 reel/carton:5PCS
- 3.units/carton :4250PCS

X-ON Electronics

Largest Supplier of Electrical and Electronic Components

Click to view similar products for [Audio Transformers](#) / [Signal Transformers](#) category:

Click to view products by [CND-tek](#) manufacturer:

Other Similar products are found below :

[CU4S0506AT-2655-H1](#) [MGPWT-00449-P](#) [PE-64961](#) [1812WBT2-4](#) [BX1194WNL](#) [1879479-1](#) [PA1528ANL](#) [T1137NLT](#) [T3012NL](#) [PE-65848FNLT](#) [H5019EFNL](#) [CX2045ALNLT](#) [MET-14](#) [MGPWT-00059-P](#) [MGPWT-00266-P](#) [MGPWT-00278-P](#) [MGPWT-00431-P](#) [TTC-100](#) [TTC-143-H](#) [TTC-5032-1](#) [4-1879391-0](#) [100213](#) [T1142NL](#) [T1124NL](#) [1879732-1](#) [2-1879391-5](#) [B8846NL](#) [MABA-010321-CT1A42](#) [TX1341NL](#) [H0013FNL](#) [H5020FNL](#) [H2009FNLT](#) [H5004NLT](#) [S553-5999-52-F](#) [T5008NLT](#) [PE-68517T](#) [TG111-E212NWLFR](#) [MGPWT-00339-P](#) [H5014FNLT](#) [TX1473NLT](#) [PE-69011NLT](#) [CX2043LNLT](#) [H7137FNLT](#) [H1259NLT](#) [TX1344NLT](#) [LM-LP-1005L](#) [H0013NLT](#) [S558-5500-JV](#) [TX1193NLT](#) [T7015NL](#)