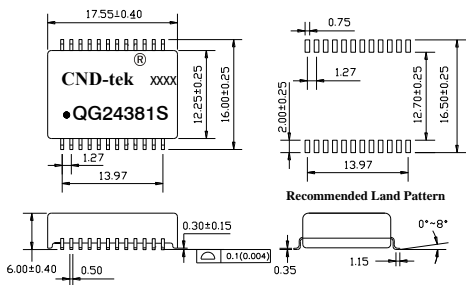


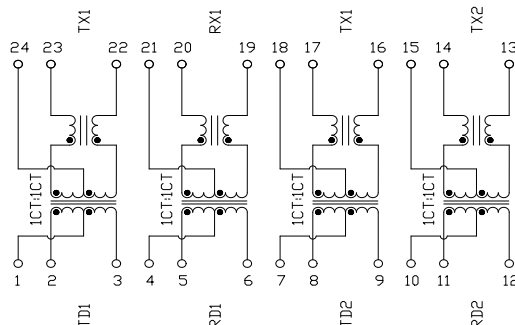
1. Designed for long haul 2.5G POE+ Single Port Transformer Module
2. Supports four pairs of category 5 UTP cable,Cable interface for isolation and low common mode emissions.
- 3 . Low profile Surface Mount Packaging designed for Hi-Temp Reflow Process
4. Compliant with IEEE 802.3bz&at. standard for 2.5G Base-Z,Designed to support 1:1 Turns Ratio Transceivers.
5. DC Line Current : 720mA Max @ 57V



DIMENSIONS & SCHEMATICS



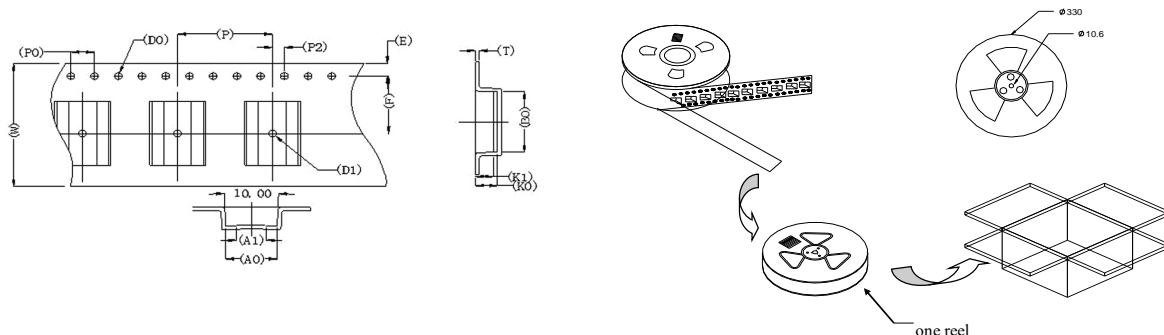
- Note:**
1. Dimension: mm
 2. Unless otherwise specified,all tolerances are: ±0.05mm



TECHNICAL SPECIFICATIONS

OCL :	160 μ H Min. @ 100 KHz, 100mV with 8mA DC Bias
Leakage Inductance:	0.5 μ H Max. @ 100KHz, 0.2V
Cw/w:	28 pF Max. @ 100KHz, 0.2V
DCR:	1.00 Ω Max
Turns Ratio ($\pm 5\%$):	1CT:1(TX), 1CT:1(RX)
Polarity:	2-23, 5-20, 8-17, 11-14 In-Phase
Insertion Loss:	-0.5 dB Max. @ 1-50MHz -1.0dB Max. @50-125MHz -2.0dB Max. @ 125-200MHz
Return Loss:	-20 dB Min. @ 1-40MHz -15 dB Min. @100 MHz -9.5 dB Min. @200 MHz
Cross Talk:	-28 dB Min. @ 1-125 MHz -25 dB Min. @ 125-200MHz
Common Mode Rejection :	-25 dB Min. @ 1-200 MHz
Isolation HI-POT:	1500Vrms 1mA 1Second
Operating Temperature range:	-40 $^{\circ}$ C ~ +85 $^{\circ}$ C
Storage temperature range:	-40 $^{\circ}$ C ~ +125 $^{\circ}$ C

PACKING SPECIFICATION



1. units/reel:400PCS
- 2 reel/carton:5PCS
- 3.units/carton :2000PCS

X-ON Electronics

Largest Supplier of Electrical and Electronic Components

Click to view similar products for [CND-tek manufacturer](#):

Other Similar products are found below :

[10306230004](#) [10306230033H](#) [10306230038H](#) [10306230041H](#) [10306230046DH](#) [10306230047](#) [10306230049H](#) [10306230056](#) [10306230069](#)
[10306230083H](#) [10306230154H](#) [10306230178](#) [10306230179](#) [10306230181](#) [10306230223DH](#) [10306230241D](#) [10306230242DH](#) [10306230353](#)
[10CLD106415MH](#) [10CLD106420MH](#) [10CLD106520MH](#) [201N1Y02001](#) [20306230262](#) [303062300049](#) [30306230035D](#) [A102N3200200N](#)
[AE71A4100010](#) [AE71K4000010](#) [AE90A2104405](#) [AE90A4004105](#) [AE90K2104005](#) [AE90K4104105](#) [B1201D](#) [B1202D](#) [B1203D](#) [B1601S](#)
[B1603S](#) [B1605S](#) [B1608S](#) [B1617S](#) [B2009D](#) [B2018D](#) [B2019D](#) [B4001S](#) [B4004S](#) [CB0603S](#) [CB0606S](#) [CB0679S](#) [CB1688S](#) [CC2012A-801](#)