

# 产品承认书

## SPECIFICATION FOR APPROVAL

CUSTOMER : \_\_\_\_\_

CUSTOMER P/N : \_\_\_\_\_

CND-TEK P/N. : \_\_\_\_\_ QG4850S

DESCRIPTION : \_\_\_\_\_ 2.5G BASE-T MAGNETICS MODULES

REF NO: \_\_\_\_\_

REV/NO: \_\_\_\_\_ A/0

DATE: \_\_\_\_\_ 2022/01/06

### ATTACHMENT :

■ SPECIFICATION

■ SAMPLE Q'TY OF SAMPLES \_\_\_\_\_ PCS

	√	CUSTOMER'S SIGNATURE	REMARK
FULL APPROVED			
CONDITIONAL APPROVED			
REJECTED			

深圳磁联达电子有限公司

**CND-TEK**

Shenzhen CND-TEK Electronic Co. Ltd.

公司地址: 深圳市南山区西丽街道牛成路221号5楼西座

TEL: 86-755-29016433 FAX: 0755-27652977

Email: sales2@cd-tek.com

Http: //www.cd-tek.com



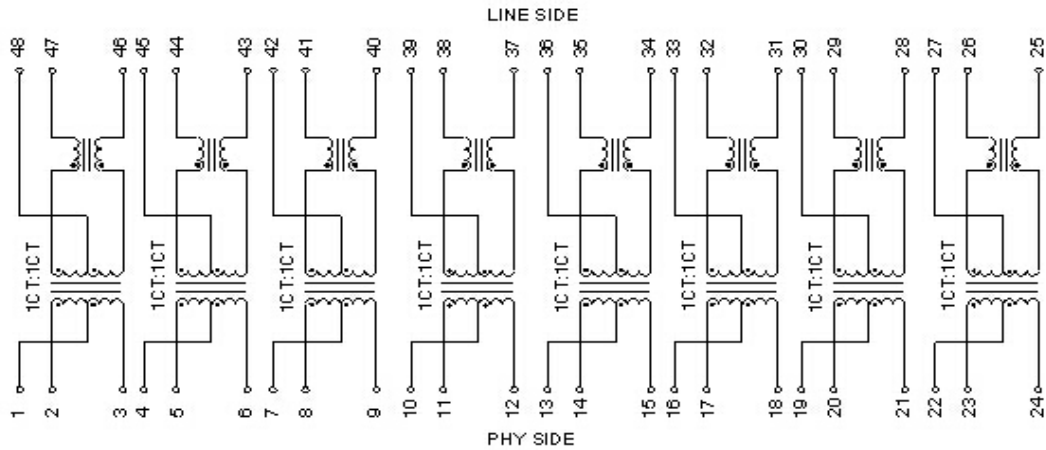
## INDEX

<b>1. Index</b>	<b>1</b>
<b>2. Record of Revision</b>	<b>2</b>
<b>3. Mechanical drawing</b>	<b>3</b>
<b>4. Schematic drawing</b>	<b>4</b>
<b>5. Sample Test Report</b>	<b>5</b>
<b>6. Packing info</b>	<b>6</b>
<b>7. Recommended Reflow Soldering curve</b>	<b>7</b>
<b>8. Material Certificate List</b>	<b>8</b>
<b>9. certificate of Non-use controlled substances</b>	<b>9</b>
<b>10. UL certification</b>	<b>10</b>





## B. Schematic:



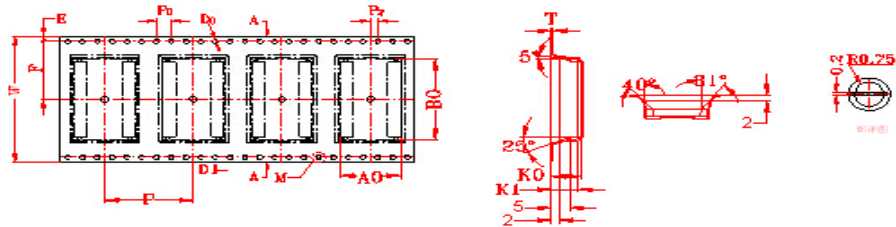
## C. Electrical Specification @25°C

Inductance OCL:	180uH Min @ 100KHz 0.1V 8mA DC Bias 0.35uH
Leakage Inductance:	Max @ 100KHz 0.1V
Interwinding Capacitance:	35pF Typ @ 100KHz 0.1V
DC Resistance:	0.9ΩMax; Secondary: 1.2ΩMax
Turns Ratio:	1CT:1CT±3%
Polarity:	1-48,4-45,7-42,10-39,13-36,16-33,19-30,22-27, In-Phase
Return Loss	1-40MHz -20dB Min 40.1-100MHz -16dB Min 100.1-200MHz -10dB Min
Cross Talk:	1-100MHz -30dB Min 100.1-200MHz -25dB Min
CMRR:	1-100MHz -30dB Min
Isolation HI-POT: Operating Temperature: Product Type:	100.1-200MHz -25dB Min 1500VAC 1mA 60S or 1650VAC 1mA 6S -40°C TO +85°C

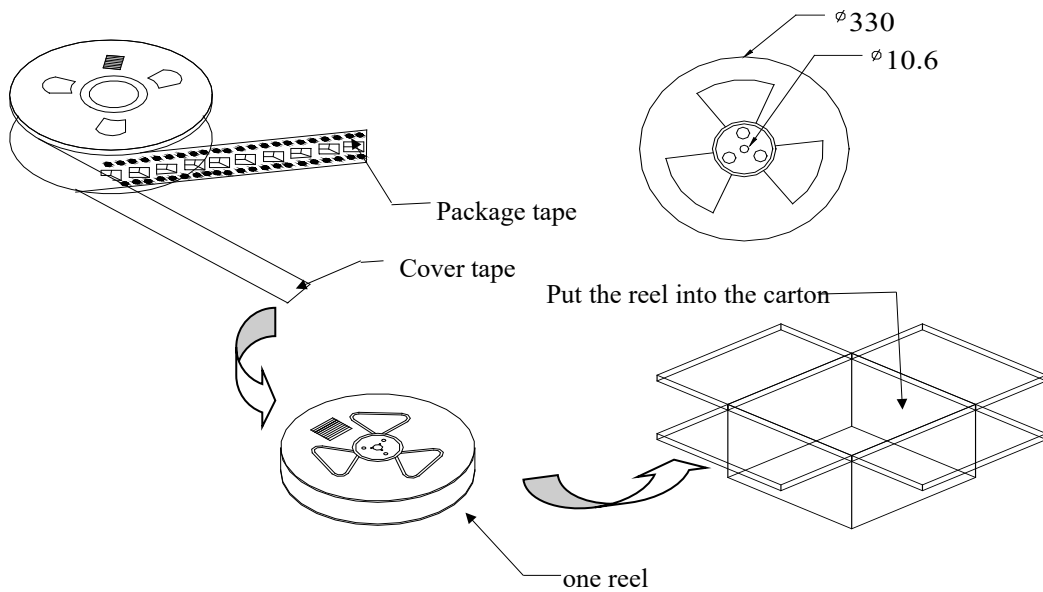
**Green Product**

**Package Information:**

**1. Packaging Method is as below:**



ITEM	W	A <sub>0</sub>	B <sub>0</sub>	K <sub>0</sub>	K <sub>1</sub>	P	F	E	D <sub>0</sub>	D <sub>1</sub>	P <sub>0</sub>	P <sub>2</sub>	T
DIM	44.0 <sup>+0.30</sup> <sub>-0.30</sub>	16.4 <sup>+0.10</sup> <sub>-0.10</sub>	28.2 <sup>+0.10</sup> <sub>-0.10</sub>	8.00 <sup>+0.10</sup> <sub>-0.10</sub>	7.20 <sup>+0.10</sup> <sub>-0.10</sub>	24.0 <sup>+0.10</sup> <sub>-0.10</sub>	20.2 <sup>+0.10</sup> <sub>-0.10</sub>	1.75 <sup>+0.10</sup> <sub>-0.10</sub>	1.50 <sup>+0.10</sup> <sub>-0.10</sub>	1.60 <sup>+0.10</sup> <sub>-0.10</sub>	4.00 <sup>+0.10</sup> <sub>-0.10</sub>	2.00 <sup>+0.10</sup> <sub>-0.10</sub>	4.0 <sup>+0.05</sup> <sub>-0.05</sub>
ALTERNATE													

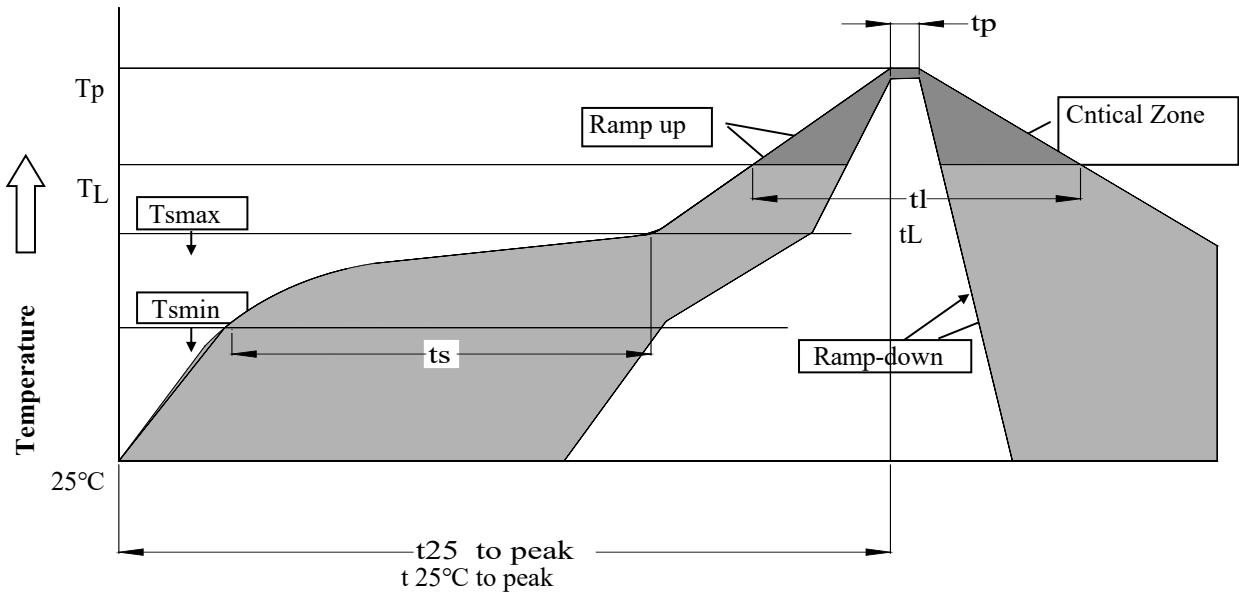


**2. Package Q'ty:**

**3. Label:**

350 units/reel 4 reel/carton  
1400 units/carton

## 1. Recommended Reflow Soldering Curve:



$T_L = 217^\circ\text{C}$   
 $T_p = 245^\circ\text{C}$   
 $t_s = 60-180\text{s}$   $T_{smax} = 200^\circ\text{C}$   $T_{smin} = 150^\circ\text{C}$

$t_L = 60-150\text{s}$   $t_p = 20-40\text{s}$  Ramp up rate =  $3^\circ\text{C/s}$  max  $T_{25^\circ\text{C to peak}} = 8\text{min}$  max  
 Ramp down rate =  $6^\circ\text{C/s}$  max

\*ROHS Compliant

\*Solder wire SAC 305 Sn 96.5/Ag 3.0/Cu 0.5

## 2: Moisture Sensitive Level:

1. Level: 1
2. Floor Life: Unlimited
3. Storage Condition:  $\leq 85^\circ\text{C}/85\% \text{ RH}$





## X-ON Electronics

Largest Supplier of Electrical and Electronic Components

*Click to view similar products for [Audio Transformers](#) / [Signal Transformers](#) category:*

*Click to view products by [CND-tek](#) manufacturer:*

Other Similar products are found below :

[CU4S0506AT-2655-H1](#) [MGPWT-00449-P](#) [PE-64961](#) [1812WBT2-4](#) [BX1194WNL](#) [1879479-1](#) [PA1528ANL](#) [T1137NLT](#) [T3012NL](#) [PE-65848FNLT](#) [H5019EFNL](#) [CX2045ALNLT](#) [MET-14](#) [MGPWT-00059-P](#) [MGPWT-00266-P](#) [MGPWT-00278-P](#) [MGPWT-00431-P](#) [TTC-100](#) [TTC-143-H](#) [TTC-5032-1](#) [4-1879391-0](#) [100213](#) [T1142NL](#) [T1124NL](#) [1879732-1](#) [2-1879391-5](#) [B8846NL](#) [MABA-010321-CT1A42](#) [TX1341NL](#) [H0013FNL](#) [H5020FNL](#) [H2009FNLT](#) [H5004NLT](#) [S553-5999-52-F](#) [T5008NLT](#) [PE-68517T](#) [TG111-E212NWLFR](#) [H5014FNLT](#) [TX1473NLT](#) [PE-69011NLT](#) [CX2043LNLT](#) [H7137FNLT](#) [H1259NLT](#) [TX1344NLT](#) [LM-LP-1005L](#) [H0013NLT](#) [S558-5500-JV](#) [TX1193NLT](#) [T7015NL](#) [T1124NLT](#)