

# 产品规格书

## PRODUCT SPECIFICATION SHEET

物料名称

APPELLATION:

**10G BASE-T TRANSFORMER**

产品型号

MODE:

**TG2480S**

客户料号

No.:

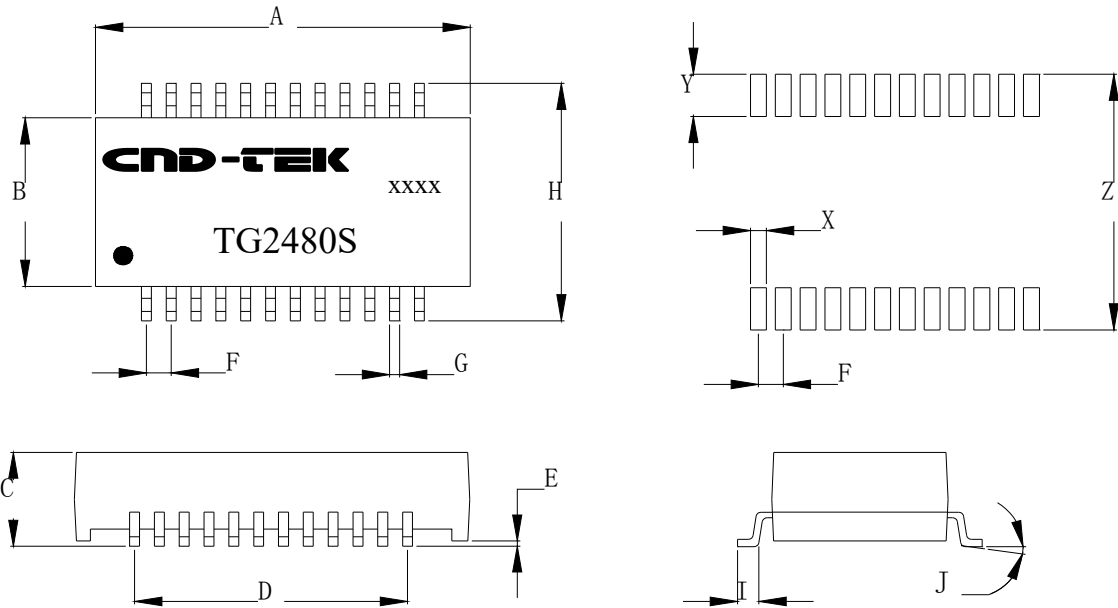
生 产 方	工艺审核	品质审核	项目审核	开发审核
	TECHNICAL	QUALITY	PROJECT	DEVELOPING
	Wangshengli	wangxue	wangchunxia	Wangshengli

客 户 方	材料工程师	设计工程师	主管审批	研发体系
	Materials Engineer	Engineer	Approval	R & D System

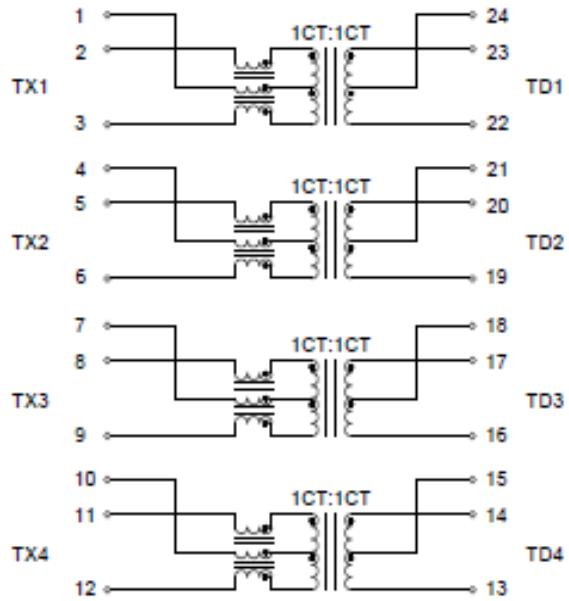




**1. DIMENSIONS & SCHEMATICS:**



MILLIMETERS			
DIM	MIN	NOM	MAX
A	14.85	15.10	15.35
B	6.85	7.10	7.35
C	3.75	4.00	4.25
D	10.75	11.00	11.25
E	0.00	0.25	0.50
F	0.75	1.00	1.25
G	0.15	0.40	0.65
H	9.75	10.00	10.25
I	/	1.00	/
J	0°	/	0°
X	/	0.64	/
Y	/	1.78	/
Z	/	11.20	/



DRAWN BY:	CHECKED BY:	APPROVED BY:	CUSTOMER:
wangshengli	wangshengli	wangchunxia	PART NO. : TG2480S

**ELECTRICAL SPECIFICATIONS @25°C**

Inductance OCL:	120μH Min @ 100KHz 0.1V 8mA DC Bias	
Leakage Inductance:	0.35μH Max @ 100KHz 0.1V	
Interwinding Capacitance:	35pF Typ @ 100KHz 0.1V	
DC Resistance:	0.9ΩMax; Secondary: 1.2ΩMax	
Turns Ratio:	1CT:1CT±3%	
Polarity:	1-24,4-21,7-18,10-15, In-Phase	
Insertion Loss:	1-100 MHz	-1.0dB Max
	100-250 MHz	-2.0dB Max
	250-500 MHz	-3.0dB Max
Return Loss	1-100MHz	-15dB Min
	100-250MHz	-13dB Min
	250-500MHz	-10dB Min
Cross Talk:	1-500MHz	-30dB Min
	1-500MHz	-30dB Min
	1500VAC 1mA 60S or 1650VAC 1mA 6S	
Operating Temperature:	-40°C TO +85°C	
Product Type:	<b>Green Product</b>	

**3. Recommended Reflow Soldering Curve:**

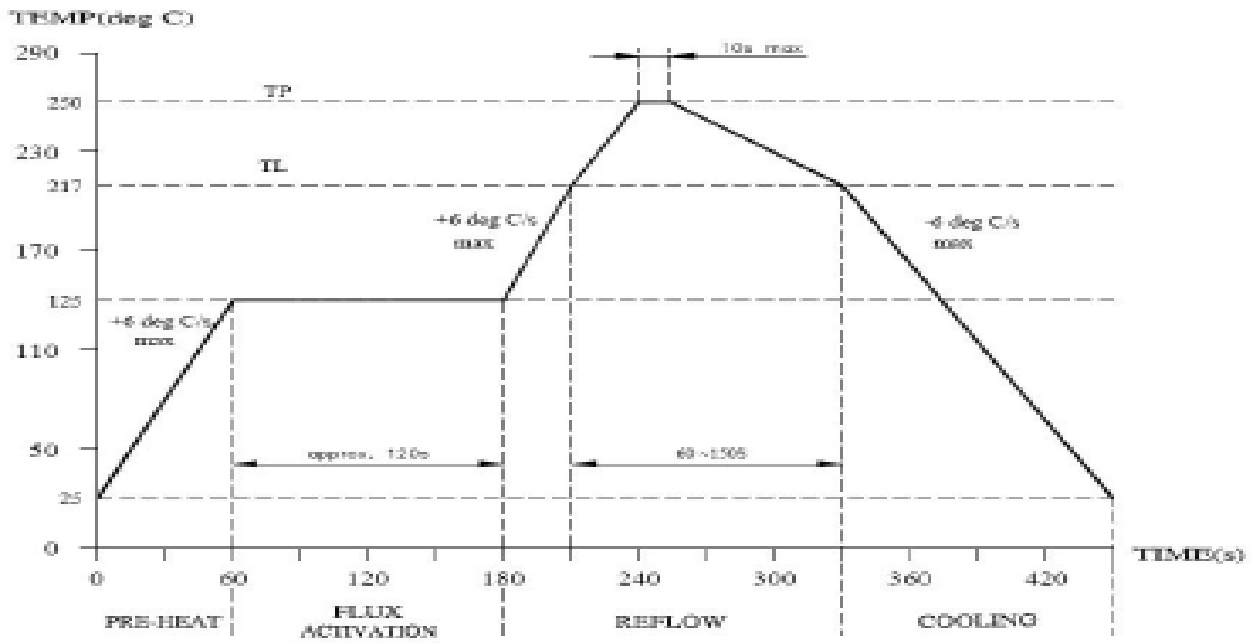
TL = 217°C  
 Tp = 245°C  
 ts=60-180s                      Ts max=200°C                      Ts min=150°C  
 tL=60-150s                      tp=20-40s                      T25°C to peak=8min max  
 Ramp up rate=3°C/s max Ramp  
 down rate=6°C/s max

\*ROHS Compliant  
 \*Solder wire SAC 305 Sn 96.5/Ag 3.0/Cu 0.5

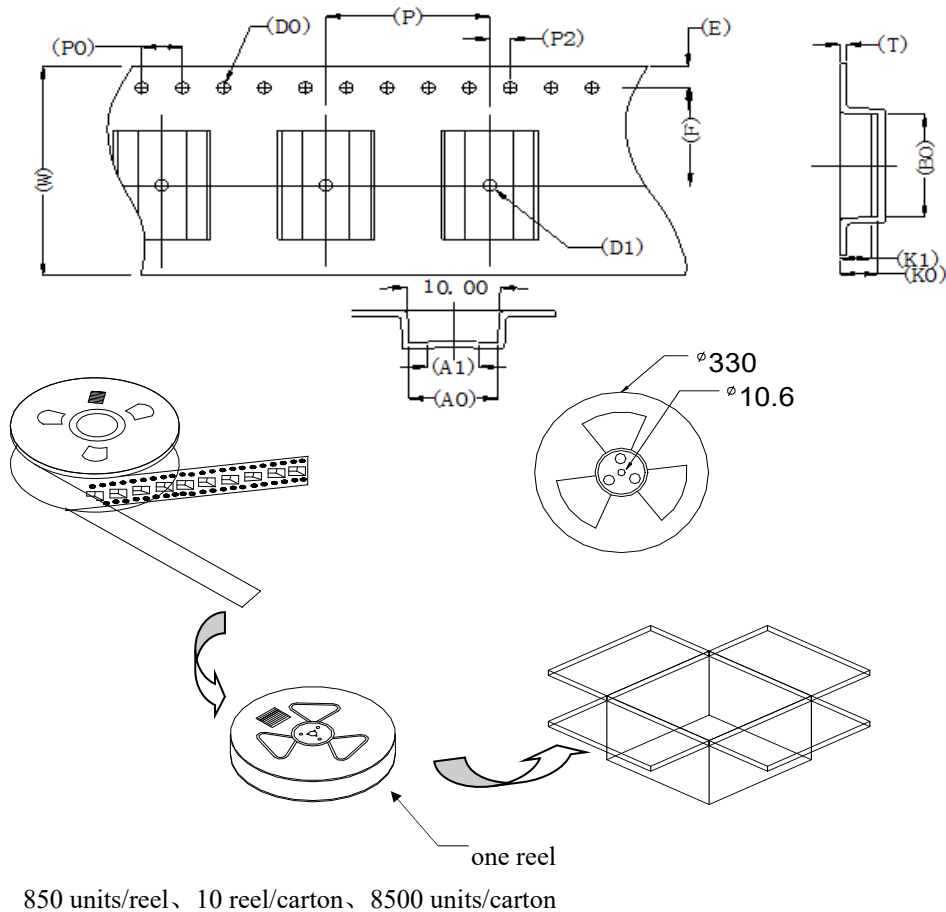
Moisture Sensitive Level:  
 Level: 1  
 Floor Life: Unlimited  
 Storage Condition: ≦ 85°C/85% RH

DRAWN BY:	CHECKED BY:	APPROVED BY:	CUSTOMER:
wangshengli	wangshengli	wangchunxia	PART NO. : TG2480S
 深圳磁联达电子有限公司			REV. : A PAGE: 3 of 4

### 3. Recommended Reflow Soldering Curve:



### 3. Package Information:



DRAWN BY:	CHECKED BY:	APPROVED BY:	CUSTOMER:
wangshengli	wangshengli	wangchunxia	PART NO. : TG2480S

## X-ON Electronics

Largest Supplier of Electrical and Electronic Components

*Click to view similar products for [Audio Transformers](#) / [Signal Transformers](#) category:*

*Click to view products by [CND-tek](#) manufacturer:*

Other Similar products are found below :

[CU4S0506AT-2655-H1](#) [CX2041NLT](#) [MGPWT-00449-P](#) [PE-64961](#) [H5020FNLT](#) [H5077NLT](#) [1812WBT2-4](#) [1879479-1](#) [PA1528ANL](#)  
[T1137NLT](#) [T3012NL](#) [PE-65812FNL](#) [PE-65848FNLT](#) [H5019EFNL](#) [CX2045ALNLT](#) [MET-14](#) [MGPWT-00059-P](#) [MGPWT-00266-P](#)  
[MGPWT-00278-P](#) [MGPWT-00431-P](#) [TTC-100](#) [TTC-143-H](#) [TTC-5032-1](#) [4-1879391-0](#) [100213](#) [T1142NL](#) [HX5020FNLT](#) [HX5014FNLT](#)  
[T1124NL](#) [1879732-1](#) [2-1879391-5](#) [B8846NL](#) [MABA-010321-CT1A42](#) [TX1341NL](#) [H0013FNL](#) [H5020FNL](#) [H2009FNLT](#) [H5004NLT](#) [X-](#)  
[1619](#) [T5008NLT](#) [PE-68517T](#) [MGPWT-00339-P](#) [HX5084FNLT](#) [H5014FNLT](#) [TX1473NLT](#) [PE-69011NLT](#) [CX2043LNLT](#) [H7137FNLT](#)  
[H1259NLT](#) [LM-LP-1005L](#)