

产品规格书

PRODUCT SPECIFICATION SHEET

物料名称

APPELLATION:

10G BASE-T TRANSFORMER

产品型号

MODE:

TG2481S

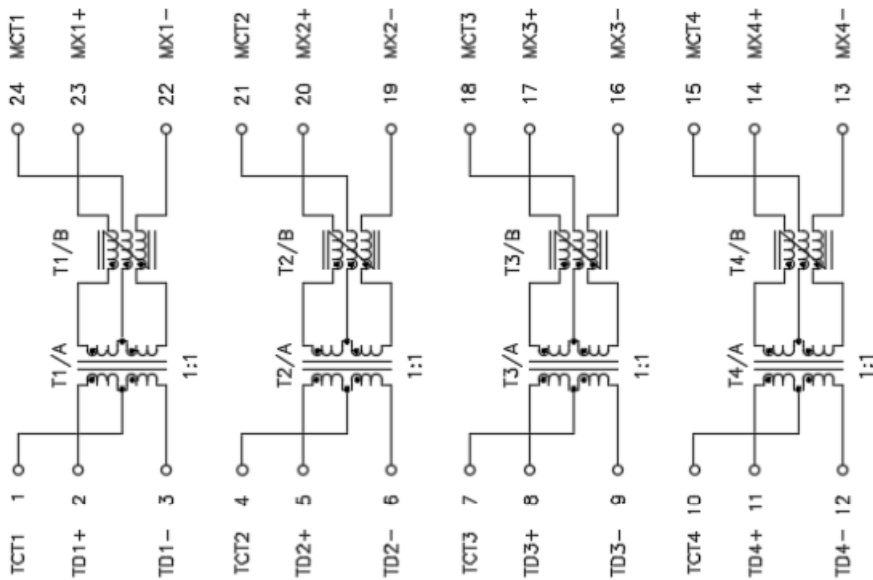
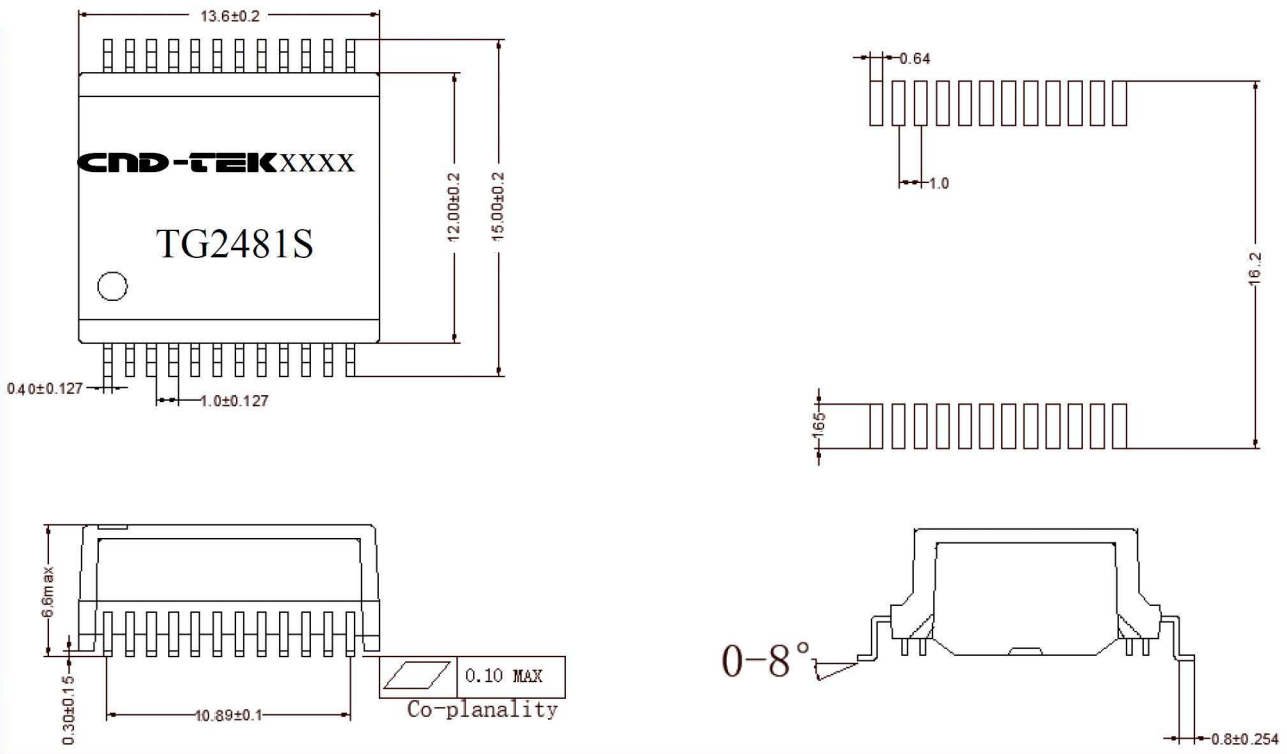
客户料号

No.:

生 产 方	工艺审核	品质审核	项目审核	开发审核
	TECHNICAL	QUALITY	PROJECT	DEVELOPING
	Wangshengli	wangxue	wangchunxia	Wangshengli

客 户 方	材料工程师	设计工程师	主管审批	研发体系
	Materials Engineer	Engineer	Approval	R & D System

1. DIMENSIONS & SCHEMATICS:



DRAWN BY:	CHECKED BY:	APPROVED BY:	CUSTOMER:
wangshengli	wangshengli	wangchunxia	PART NO. : TG2481S



深圳磁联达电子有限公司

REV. : A

PAGE: 2 of 4

ELECTRICAL SPECIFICATIONS @25°C

Inductance OCL:	120μH Min @ 100KHz 0.1V 8mA DC Bias	
Leakage Inductance:	0.50μH Max @ 100KHz 0.1V	
Interwinding Capacitance:	30pF Typ @ 100KHz 0.1V	
DC Resistance:	0.9ΩMax	
Turns Ratio:	1CT:1CT±3%	
Polarity:	1-24,4-21,7-18,10-15, In-Phase	
Insertion Loss:	1-100 MHz	-1.0dB Max
	100-250 MHz	-2.0dB Max
	250-500 MHz	-3.0dB Max
Return Loss	1-100MHz	-15dB Min
	100-250MHz	-13dB Min
	250-500MHz	-10dB Min
Cross Talk:	1-500MHz	-25dB Min
CMRR:	1-500MHz	-25dB Min
Isolation HI-POT:	1500VAC 1mA 60S or 1650VAC 1mA 6S	
Operating Temperature:	-40°C TO +85°C	
Product Type:	Green Product	

3. Recommended Reflow Soldering Curve:

TL = 217°C
 Tp = 245°C
 ts=60-180s Ts max=200°C Ts min=150°C
 tL=60-150s tp=20-40s T25°C to peak=8min max
 Ramp up rate=3°C/s max Ramp
 down rate=6°C/s max

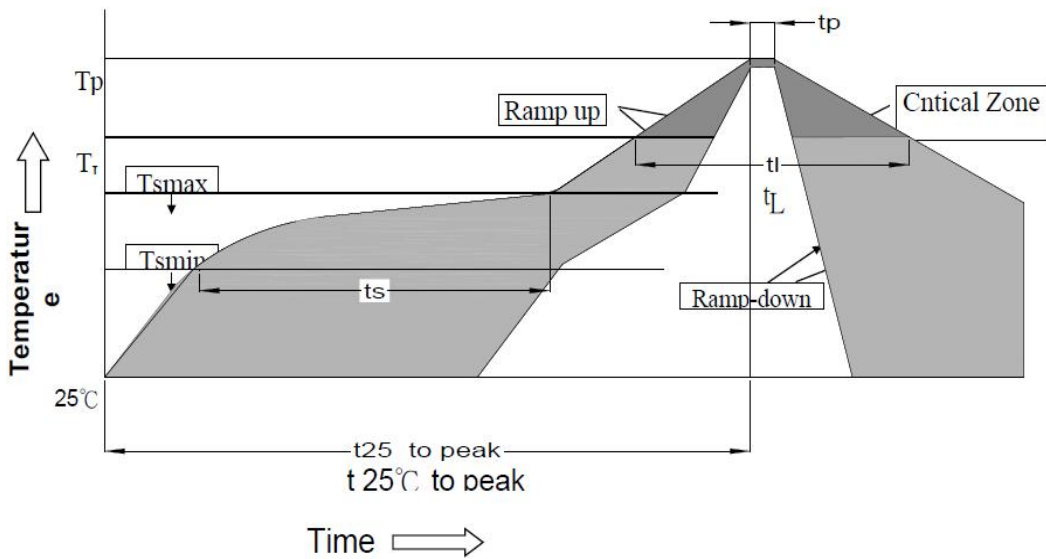
*ROHS Compliant
 *Solder wire SAC 305 Sn 96.5/Ag 3.0/Cu 0.5

Moisture Sensitive Level:
 Level: 1
 Floor Life: Unlimited
 Storage Condition: ≦ 85°C/85% RH

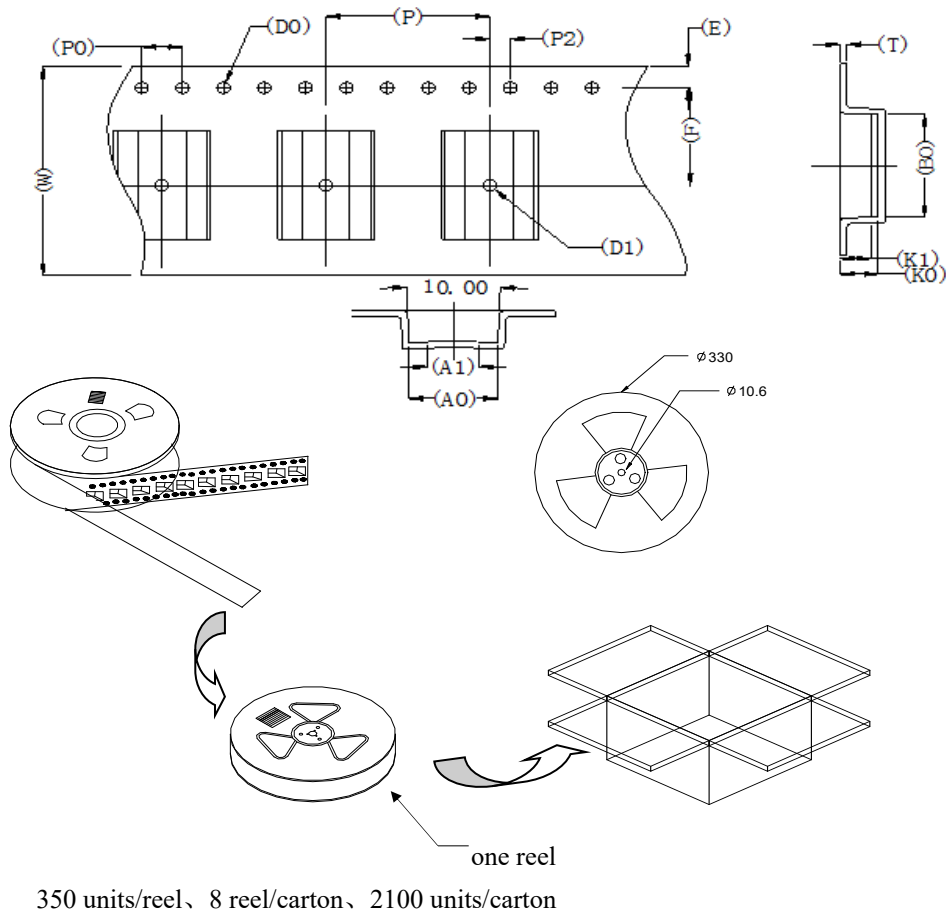
DRAWN BY:	CHECKED BY:	APPROVED BY:	CUSTOMER:
wangshengli	wangshengli	wangchunxia	PART NO. : TG2481S



3. Recommended Reflow Soldering Curve:



3. Package Information:



DRAWN BY:	CHECKED BY:	APPROVED BY:	CUSTOMER:
wangshengli	wangshengli	wangchunxia	PART NO. : TG2481S

X-ON Electronics

Largest Supplier of Electrical and Electronic Components

Click to view similar products for [Audio Transformers](#) / [Signal Transformers](#) category:

Click to view products by [CND-tek](#) manufacturer:

Other Similar products are found below :

[CU4S0506AT-2655-H1](#) [MGPWT-00449-P](#) [PE-64961](#) [1812WBT2-4](#) [BX1194WNL](#) [1879479-1](#) [PA1528ANL](#) [T1137NLT](#) [T3012NL](#) [PE-65848FNLT](#) [H5019EFNL](#) [CX2045ALNLT](#) [MET-14](#) [MGPWT-00059-P](#) [MGPWT-00266-P](#) [MGPWT-00278-P](#) [MGPWT-00431-P](#) [TTC-100](#) [TTC-143-H](#) [TTC-5032-1](#) [4-1879391-0](#) [100213](#) [T1142NL](#) [T1124NL](#) [1879732-1](#) [2-1879391-5](#) [B8846NL](#) [MABA-010321-CT1A42](#) [TX1341NL](#) [H0013FNL](#) [H5020FNL](#) [H2009FNLT](#) [H5004NLT](#) [S553-5999-52-F](#) [T5008NLT](#) [PE-68517T](#) [TG111-E212NWLFR](#) [MGPWT-00339-P](#) [H5014FNLT](#) [TX1473NLT](#) [PE-69011NLT](#) [CX2043LNLT](#) [H7137FNLT](#) [H1259NLT](#) [TX1344NLT](#) [LM-LP-1005L](#) [H0013NLT](#) [S558-5500-JV](#) [TX1193NLT](#) [T7015NL](#)