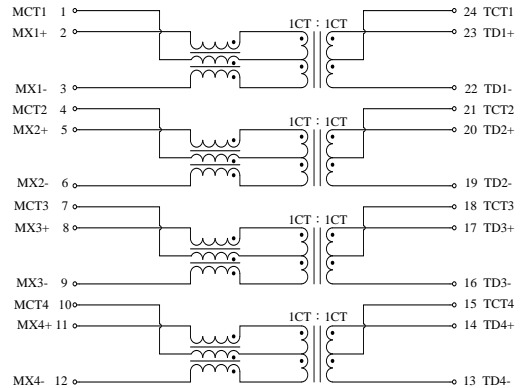
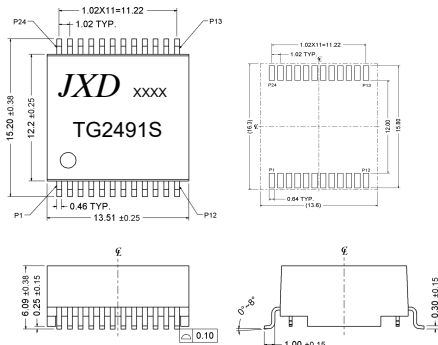


10G Single Port Transformer Module

1. Designed for long haul 10G Single Port Transformer Module
2. Supports four pairs of category 5 UTP cable, Cable interface for isolation and low common mode emissions.
3. Low profile Surface Mount Packaging designed for Hi-Temp Reflow Process
4. Compliant with IEEE 802.3bt standard for 10G Base-Z, Designed to support 1:1 Turns Ratio Transceivers.



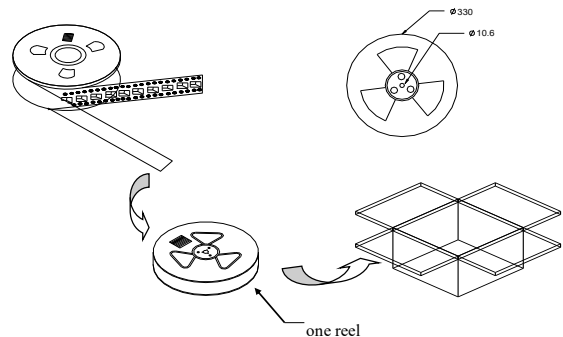
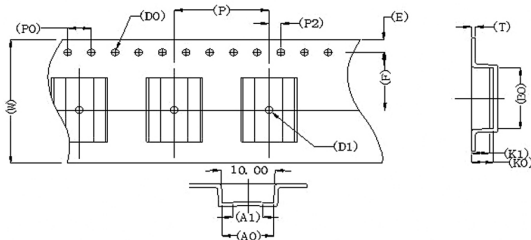
## DIMENSIONS & SCHEMATICS



## TECHNICAL SPECIFICATIONS

OCL :	120 $\mu$ H Min. @ 100 KHz, 100mV with 8mA DC Bias
Leakage Inductance:	0.50 $\mu$ H Max. @ 100KHz, 0.2V
Cw/w:	35 pF Max. @ 100KHz, 0.2V
DCR:	0.90 $\Omega$ Max
Turns Ratio( $\pm$ 5%):	1CT:1 (TX), 1CT:1 (RX)
Polarity:	2-23, 5-20, 8-17, 11-14 In-Phase
Insertion Loss:	-1.0 dB Max. @ 1-100MHz -2.0dB Max. @ 100-250MHz -3.0dB Max. @ 250-500MHz
Return Loss:	-18 dB Min. @ 1-40MHz -17 + 10log(f/40)dB Min@40-500MHz
Cross Talk:	-25dB Min.@ 1-500 MHz
Common Mode Rejection :	-25dB Min@1-500MHz
Isolation HI-POT:	1500VAC 1mA 60S or 1650VAC 1mA 6S
Operating Temperature range:	-40 $^{\circ}$ C ~+ 85 $^{\circ}$ C
Storage temperature range:	-40 $^{\circ}$ C ~+ 125 $^{\circ}$ C

## PACKING SPECIFICATION



1. units/reel:400PCS
- 2 reel/carton:5PCS
- 3.units/carton :2000PCS

Shenzhen magnetic Lianda Electronics Co., LTD

## X-ON Electronics

Largest Supplier of Electrical and Electronic Components

*Click to view similar products for [Audio Transformers](#) / [Signal Transformers](#) category:*

*Click to view products by [CND-tek](#) manufacturer:*

Other Similar products are found below :

[CU4S0506AT-2655-H1](#) [MGPWT-00449-P](#) [PE-64961](#) [1812WBT2-4](#) [BX1194WNL](#) [1879479-1](#) [PA1528ANL](#) [T1137NLT](#) [T3012NL](#) [PE-65848FNLT](#) [H5019EFNL](#) [CX2045ALNLT](#) [MET-14](#) [MGPWT-00059-P](#) [MGPWT-00266-P](#) [MGPWT-00278-P](#) [MGPWT-00431-P](#) [TTC-100](#) [TTC-143-H](#) [TTC-5032-1](#) [4-1879391-0](#) [100213](#) [T1142NL](#) [T1124NL](#) [1879732-1](#) [2-1879391-5](#) [B8846NL](#) [MABA-010321-CT1A42](#) [TX1341NL](#) [H0013FNL](#) [H5020FNL](#) [H2009FNLT](#) [H5004NLT](#) [S553-5999-52-F](#) [T5008NLT](#) [PE-68517T](#) [TG111-E212NWLFR](#) [MGPWT-00339-P](#) [H5014FNLT](#) [TX1473NLT](#) [PE-69011NLT](#) [CX2043LNLT](#) [H7137FNLT](#) [H1259NLT](#) [TX1344NLT](#) [LM-LP-1005L](#) [H0013NLT](#) [S558-5500-JV](#) [TX1193NLT](#) [T7015NL](#)