

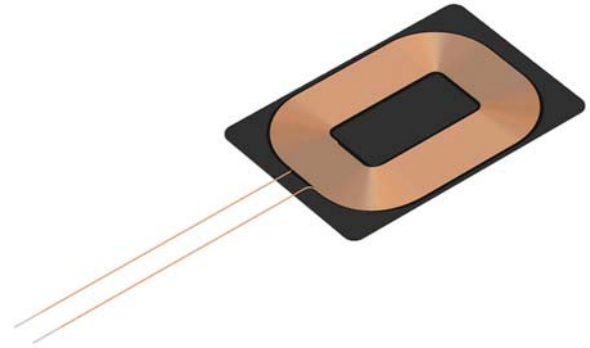
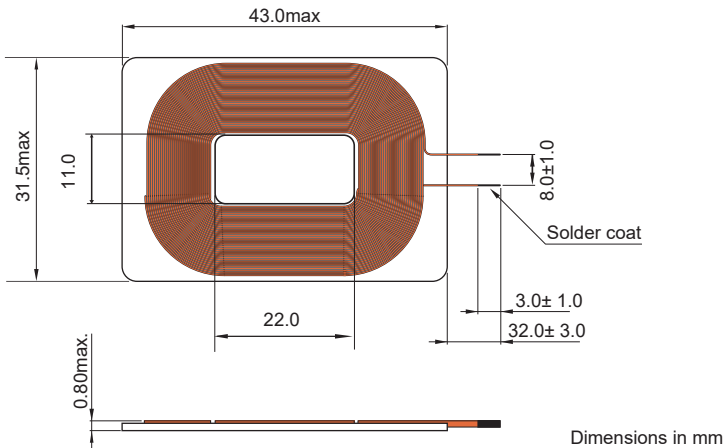
## YX-A11-R431231-G3232



### APPLICATIONS

- Cross outlet
- Coil attached square diskette, size: 43\*31.5mm\*0.3mm
- Double-sided magnetic tape
- Attach the coil to double-sided tape
- Double line tinning

### SHAPE & DIMENSIONS



### AIR COIL SPECIFICATIONS

Number of Coils	Wire Diameters	Turns Ratio
1	ø0.30mm x 2P	12T

### MAXIMUM RATINGS

Operating Temperature / Humidity	Storage Temperature / Humidity
-40 to +85°C / 10 to 65% R.H.	-25 to +125°C / 10 to 65%

### ELECTRICAL CHARACTERISTICS

OCL [100kHz 0.1V] (μH)	DCR [100kHz 0.1V] (mΩ)	WPC Compliant
11.50 ± 10%	175.00	Yes

### PACKAGING : BAG TYPE

Dimensions (mm)		Quantity (pcs)	
Tray	10	Qty per tray	100
Small carton	320x320x55	Qty per small carton	10
Outer carton	350x350x180	Qty per outer carton	1000

### OTHERS

Weight (g) typ.	2.53
--------------------	------

## X-ON Electronics

Largest Supplier of Electrical and Electronic Components

*Click to view similar products for [Wireless Charging Coils](#) category:*

*Click to view products by [CND-tek](#) manufacturer:*

Other Similar products are found below :

[WM5V](#) [WR383245-17F5-G](#) [YX-A11-R501053-GF0835\(BEIJIAO\)](#) [WR222230-26M8-G](#) [760308103102](#) [760308101309](#) [760308105214](#)  
[760308105309](#) [760308103109](#) [760308103149](#) [146179-4001](#) [146179-8021](#) [AWCCA-12R12H11-C01-B](#) [146179-1011](#) [760308103305](#)  
[760308102306](#) [146179-8001](#) [146179-2001](#) [760308102308](#) [146179-4011](#) [AWCCA107T52H40C01B](#) [AWCCA-15N15H06-C01-B](#) [AWCCA-](#)  
[18R18H10-C01-B](#) [AWCCA-28R15H08-C01-B](#) [AWCCA-37R37H18-C01-B](#) [AWCCA-42R38H08-C03-B](#) [AWCCA-50N50H16-C51-B](#)  
[AWCCA-50N50H30-C21-B](#) [AWCCA50N50H35C01B](#) [AWCCA50N50H50C01B](#) [AWCCA53N53H50C01B](#) [AWCCA53N53H50C02B](#)  
[AWCCA-RX350300-101](#) [WRSC-7R2K-32](#) [WRSC-13R0K-26](#) [WRSC-26R0K-11](#) [WRSC-47R0K-08](#) [WRSR-11R0K-16](#) [WRSR-12R0K-13](#)  
[WRSR-16R7K-11](#) [WTM-12R5K-A28](#) [WTM-12R5K-A6](#) [WTSC-24R0K-A10](#) [WTSC-6R3K-A11](#) [RWC5050AK060-500](#) [SWM1390](#)  
[WMRR124F-2](#) [WMRR138F-0](#) [WMRR147F-1](#) [WMRT130F-0](#)