

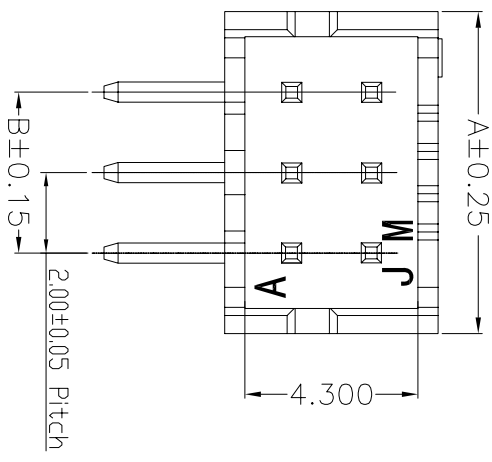
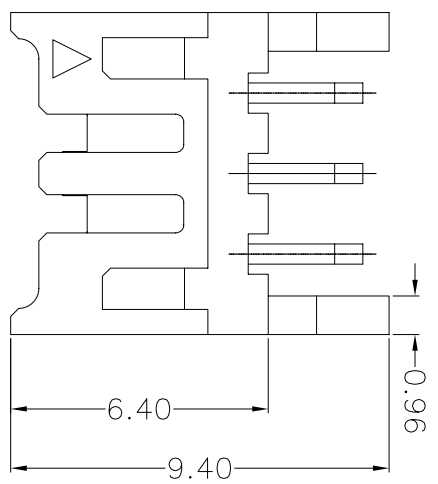
| REV. | ECON. NO. | DESCRIPTION  | DATE    | DESIGN |
|------|-----------|--------------|---------|--------|
| A    |           | 变更料号<br>增加尺寸 | 17/6/8  | 苏亮     |
|      |           |              | 17/7/17 | 苏亮     |

**SPECIFICATIONS**

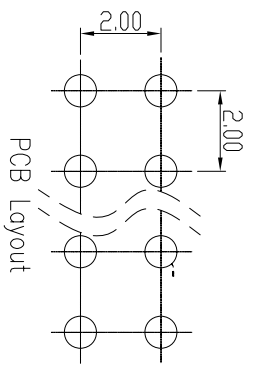
- 1) Voltage rating:250V AC,DC.
- 2) Current rating:3A AC,DC.
- 3) Withstanding voltage:800V AC/minute.
- 4) Insulation resistance:1,000M Ohm min.
- 5) Temperature range:-40°~+105°.
- 6) Contact resistance:Initial value/10m  
omega max,after environmental testg  
/20m omega max.

**WAFER**

- 1) Part No.:A2006WR-2XNP
- 2) Poles:4-40
- 3) Material:Contact:Brass,Tin plated  
Base:PA9T UL94V-0
- 4) Qty:1000pcs/bag



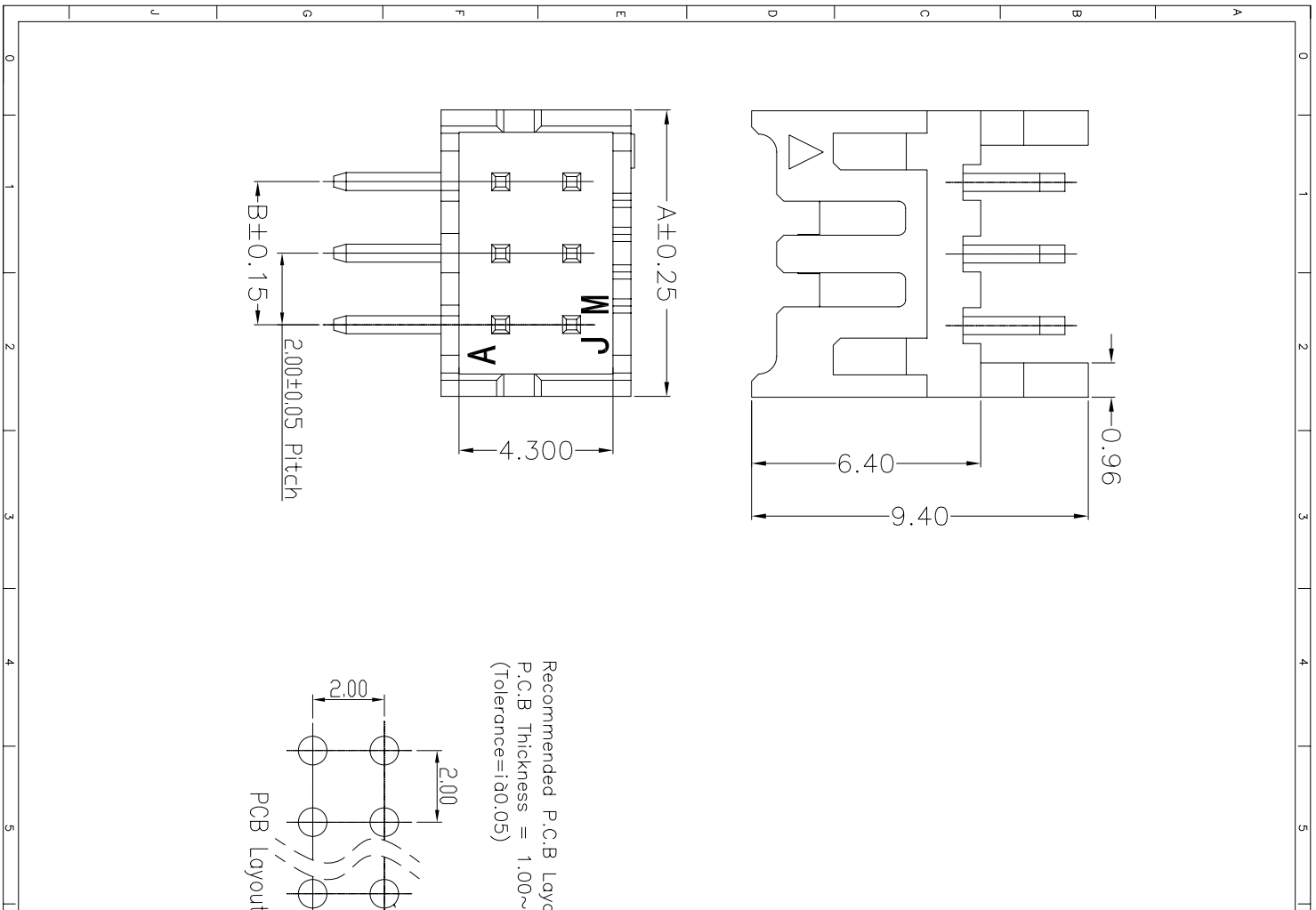
Recommended P.C.B Layout(Top Side)  
P.C.B Thickness = 1.00~1.60mm  
(Tolerance=±0.05)



| PART NO. | Dimensions |       |
|----------|------------|-------|
|          | A          | B     |
| 2X02P    | 6.00       | 2.00  |
| 2X03P    | 8.00       | 4.00  |
| 2X04P    | 10.00      | 6.00  |
| 2X05P    | 12.00      | 8.00  |
| 2X06P    | 14.00      | 10.00 |
| 2X07P    | 16.00      | 12.00 |
| 2X08P    | 18.00      | 14.00 |
| 2X09P    | 20.00      | 16.00 |
| 2X10P    | 22.00      | 18.00 |
| 2X11P    | 24.00      | 20.00 |
| 2X12P    | 26.00      | 22.00 |
| 2X13P    | 28.00      | 24.00 |
| 2X14P    | 30.00      | 26.00 |
| 2X15P    | 32.00      | 28.00 |
| 2X16P    | 34.00      | 30.00 |
| 2X17P    | 36.00      | 32.00 |
| 2X18P    | 38.00      | 34.00 |
| 2X19P    | 40.00      | 36.00 |
| 2X20P    | 42.00      | 38.00 |

**CNJM** Joint More Precision electronics Co.,Ltd.

|             |            |                    |                           |
|-------------|------------|--------------------|---------------------------|
| DRAW. NO.   | DATE       | P/N NO.            | DRAW. NAME:               |
| DESIGN: 陈雪峰 | 2017.06.03 | CNJM2006WR-2XNP-9T | 2.0mm pitch wafer<br>9T专用 |
| CHECK: 杨焯   |            |                    |                           |
| REVIEW:     |            | REV. A/1           | SCALE 1:1                 |
|             |            | UNIT: mm           | SHEET 1 OF 1              |



## X-ON Electronics

Largest Supplier of Electrical and Electronic Components

*Click to view similar products for [Headers & Wire Housings](#) category:*

*Click to view products by [CNJM](#) manufacturer:*

Other Similar products are found below :

[57102-F02-18ULF](#) [58102-G61-06LF](#) [582553-1](#) [009176003701906](#) [0050291907](#) [02.125.8002.8](#) [609-3404](#) [61062-3](#) [622-0430](#) [622-3653LF](#)  
[63453-116](#) [636-1030](#) [636-1427](#) [636-3427](#) [636-4007](#) [641938-9](#) [65495-038](#) [65692-001LF](#) [65781-018](#) [65781-047](#) [65817-010LF](#) [65817-015LF](#)  
[66207-023LF](#) [67016-026LF](#) [67095-007LF](#) [68631-112](#) [68645-018](#) [68648-049](#) [699319-000](#) [M90C108951C](#) [70.362.1628.0](#) [70-4210](#) [70-4226B](#)  
[70-4853B](#) [707-5020](#) [707-5028](#) [71.350.2428.0](#) [71961-016LF](#) [733-134](#) [754199-000](#) [760-3052](#) [787-8014-00](#) [FCN-367T-T012/H](#)  
[80.063.4001.1](#) [800-90-001-10-001000](#) [801-43-002-10-013000](#) [801-43-006-10-002000](#) [803-41-018-10-001000](#) [803-43-014-20-001000](#)  
[803-43-024-10-001000](#)