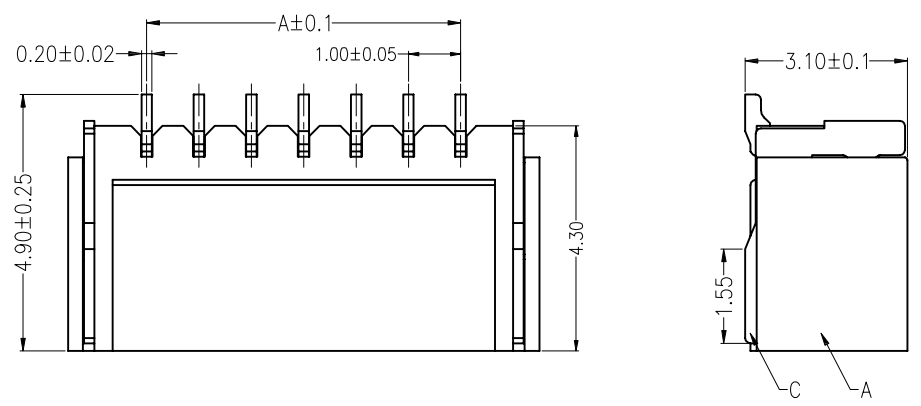
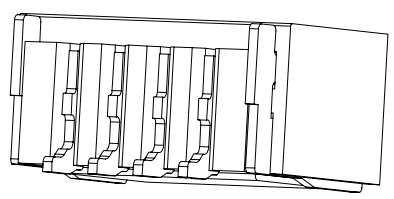
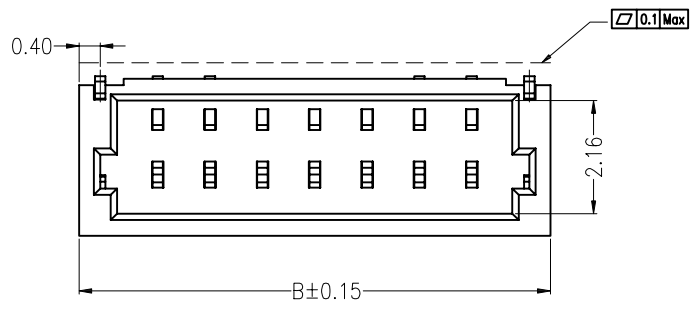


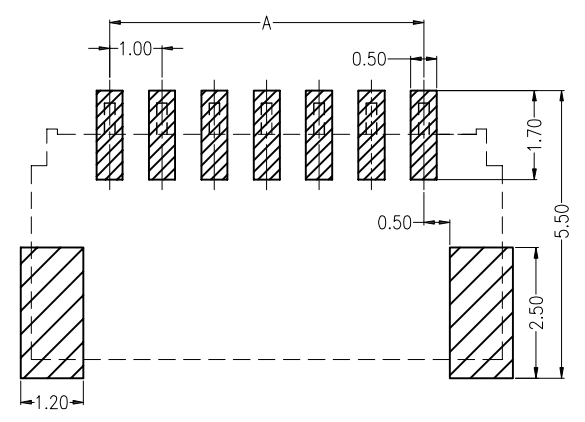
| REV. | ECN NO. | DESCRIPTION | DATE | DESIGN |
|------|---------|-------------|------|--------|
| A | | | | |



Specifications:
 Current rating:1A AC/DC.
 Voltage rating:50V AC/DC
 Temperature range:-40°C~+105°C.
 Contact resistance:20MΩ Max.
 Insulation resistance:100MΩ Min.
 Withstanding voltage: 500V AC/minute.
 Material:LCP/PA9T.UL94V-0.



| PART NO. | Dimensions | |
|---------------|------------|-------|
| | A | B |
| A1001WR-S-02P | 1.00 | 4.00 |
| A1001WR-S-03P | 2.00 | 5.00 |
| A1001WR-S-04P | 3.00 | 6.00 |
| A1001WR-S-05P | 4.00 | 7.00 |
| A1001WR-S-06P | 5.00 | 8.00 |
| A1001WR-S-07P | 6.00 | 9.00 |
| A1001WR-S-08P | 7.00 | 10.00 |
| A1001WR-S-09P | 8.00 | 11.00 |
| A1001WR-S-10P | 9.00 | 12.00 |
| A1001WR-S-11P | 10.00 | 13.00 |
| A1001WR-S-12P | 11.00 | 14.00 |
| A1001WR-S-13P | 12.00 | 15.00 |
| A1001WR-S-14P | 13.00 | 16.00 |
| A1001WR-S-15P | 14.00 | 17.00 |
| A1001WR-S-16P | 15.00 | 18.00 |



P. C. B LAYOUT

CNJM Joint More Precision electronics Co.,Ltd.

| | | | |
|-------------|------------|--------------|---------------------|
| DRAW NO. | DATE | P/N NO. | DRAW NAME: |
| DESIGN: 陈雪峰 | 2017.06.03 | A1001WR-S-NP | 1.0mm pitch 90° SMT |
| CHECK: 杨焯 | | | |
| REVIEW: | | REV.A/1 | SCALE 1:1 |
| | | UNIT: mm | SHEET: 1 OF 1 |

| DIM | TOL | DIM | TOL |
|-------|------|--------|-----|
| X. | / | X* | / |
| X.X | 0.25 | X.X* | |
| X.XX | 0.15 | X.XX* | |
| X.XXX | 0.10 | X.XXX* | / |

X-ON Electronics

Largest Supplier of Electrical and Electronic Components

Click to view similar products for [Headers & Wire Housings](#) category:

Click to view products by [CNJM](#) manufacturer:

Other Similar products are found below :

[57102-F02-18ULF](#) [58102-G61-06LF](#) [582553-1](#) [009176003701906](#) [01.001.5753.1](#) [0050291907](#) [02.125.8002.8](#) [609-3404](#) [61062-3](#)
[CSU011177004](#) [622-0430](#) [622-3653LF](#) [63453-116](#) [636-1030](#) [636-1427](#) [636-3427](#) [636-4007](#) [641938-9](#) [65495-038](#) [65692-001LF](#) [65781-018](#)
[65781-047](#) [65817-010LF](#) [65817-015LF](#) [66207-023LF](#) [67095-007LF](#) [67601157](#) [68631-112](#) [68645-018](#) [699319-000](#) [M90C108951C](#)
[70.362.1628.0](#) [70-4210](#) [70-4226B](#) [70-4853B](#) [707-5028](#) [71.350.2428.0](#) [71961-016LF](#) [733-134](#) [733-162](#) [754199-000](#) [760-3052](#) [80.063.4001.1](#)
[800-90-001-10-001000](#) [800-90-010-10-002000](#) [801-43-002-10-013000](#) [801-43-006-10-002000](#) [803-41-018-10-001000](#) [803-43-024-10-](#)
[001000](#) [803-93-012-10-001000](#)