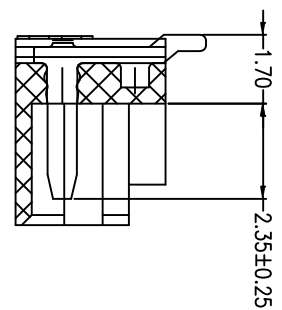
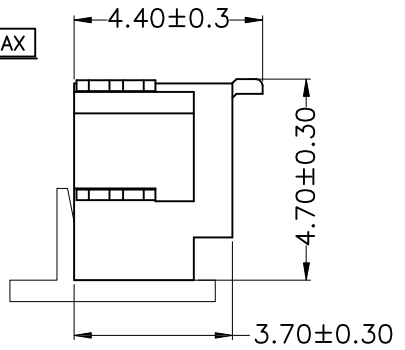
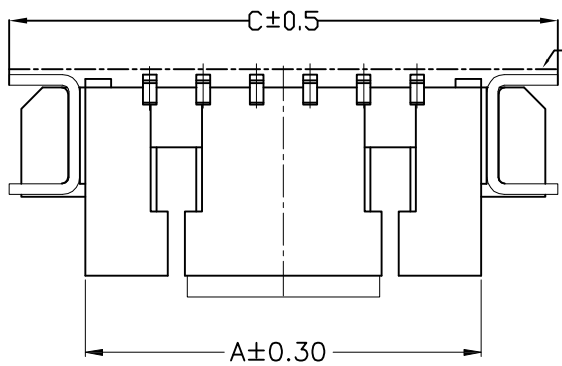
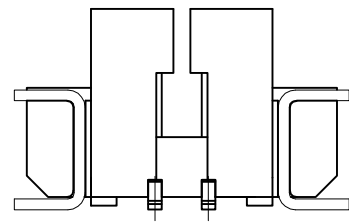
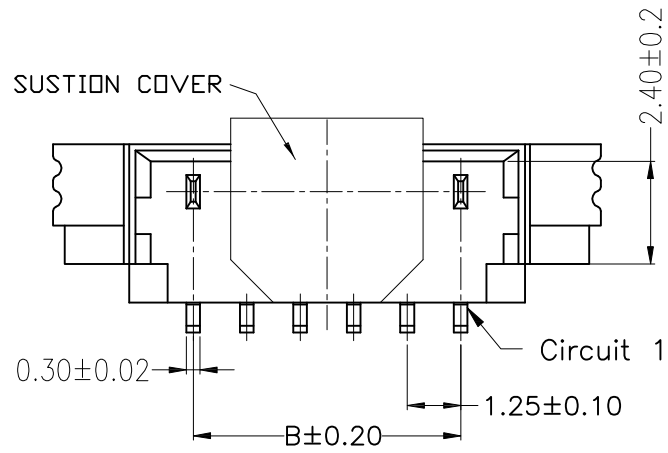


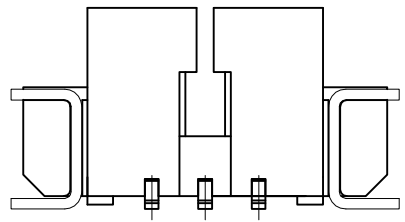
| REV. | ECN NO. | DESCRIPTION | DATE | DESIGN |
|------|---------|-------------|------|--------|
| | | | | |



Specifications:
 Current rating:1A AC/DC.
 Voltage rating:125V AC/DC
 Temperature range:-40°C~+105°C.
 Contact resistance:20MΩ Max.
 Insulation resistance:100MΩ Min.
 Withstanding voltage: 500V AC/minute.
 Material:LCP.UL94V-0.

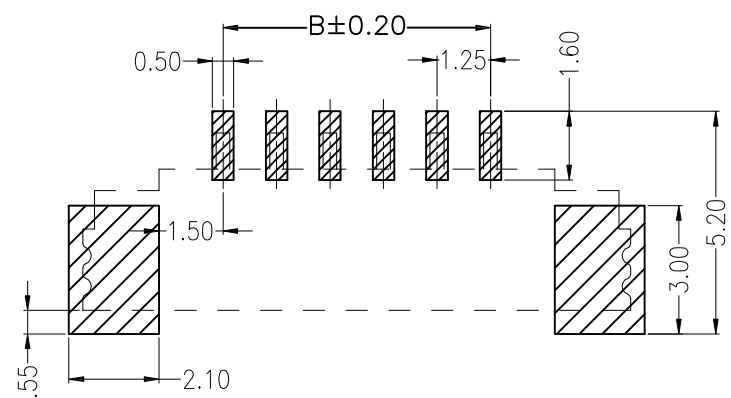


2PIN 图示



3PIN 图示

| PART NO. | Dimensions | | |
|---------------|------------|-------|-------|
| | A | B | C |
| A1251WV-S-02P | 4.25 | 1.25 | 7.75 |
| A1251WV-S-03P | 5.50 | 2.50 | 9.00 |
| A1251WV-S-04P | 6.75 | 3.75 | 10.25 |
| A1251WV-S-05P | 8.00 | 5.00 | 11.50 |
| A1251WV-S-06P | 9.25 | 6.25 | 12.75 |
| A1251WV-S-07P | 10.50 | 7.50 | 14.00 |
| A1251WV-S-08P | 11.75 | 8.75 | 15.25 |
| A1251WV-S-09P | 13.00 | 10.00 | 16.50 |
| A1251WV-S-10P | 14.25 | 11.25 | 17.75 |
| A1251WV-S-11P | 15.50 | 12.50 | 19.00 |
| A1251WV-S-12P | 16.75 | 13.75 | 20.25 |
| A1251WV-S-13P | 18.00 | 15.00 | 21.50 |
| A1251WV-S-14P | 19.25 | 16.25 | 22.75 |
| A1251WV-S-15P | 20.50 | 17.50 | 24.00 |



P.C.B LAYOUT

| DIM | TOL | DIM | TOL |
|-------|------|--------|-----|
| X | / | X* | / |
| X.X | 0.25 | X.X* | / |
| X.XX | 0.15 | X.XX* | / |
| X.XXX | 0.10 | X.XXX* | / |

CNJM Joint More Precision electronics Co.,Ltd.

| | | | |
|-------------|------------|--------------|--------------------|
| DRAW NO. | DATE | P/N NO. | DRAW NAME: |
| DESIGN: 陈雪峰 | 2017.06.03 | A1251WV-S-NP | 1.25mm pitch wafer |
| CHECK: 杨焯 | | | |
| REVIEW: | | REV. A/1 | SCALE 1:1 |
| | | UNIT: mm | SHEET: 1 OF 1 |

X-ON Electronics

Largest Supplier of Electrical and Electronic Components

Click to view similar products for [Headers & Wire Housings](#) category:

Click to view products by [CNJM](#) manufacturer:

Other Similar products are found below :

[57102-F02-18ULF](#) [58102-G61-06LF](#) [582553-1](#) [009176003701906](#) [01.001.5753.1](#) [0050291907](#) [02.125.8002.8](#) [609-3404](#) [61062-3](#)
[CSU011177004](#) [622-0430](#) [622-3653LF](#) [63453-116](#) [636-1030](#) [636-1427](#) [636-3427](#) [636-4007](#) [641938-9](#) [65495-038](#) [65692-001LF](#) [65781-018](#)
[65781-047](#) [65817-010LF](#) [65817-015LF](#) [66207-023LF](#) [67095-007LF](#) [67601157](#) [68631-112](#) [68645-018](#) [699319-000](#) [M90C108951C](#)
[70.362.1628.0](#) [70-4210](#) [70-4226B](#) [70-4853B](#) [707-5028](#) [71.350.2428.0](#) [71961-016LF](#) [733-134](#) [733-162](#) [754199-000](#) [760-3052](#) [80.063.4001.1](#)
[800-90-001-10-001000](#) [800-90-010-10-002000](#) [801-43-002-10-013000](#) [801-43-006-10-002000](#) [803-41-018-10-001000](#) [803-43-024-10-](#)
[001000](#) [803-93-012-10-001000](#)