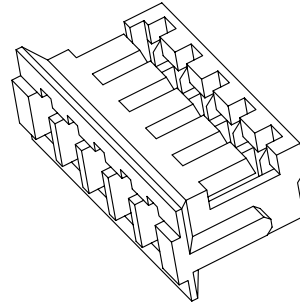
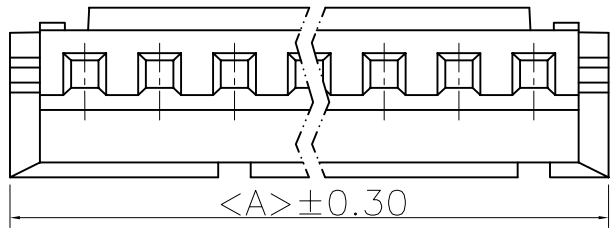
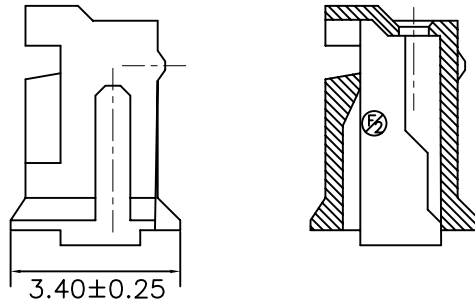
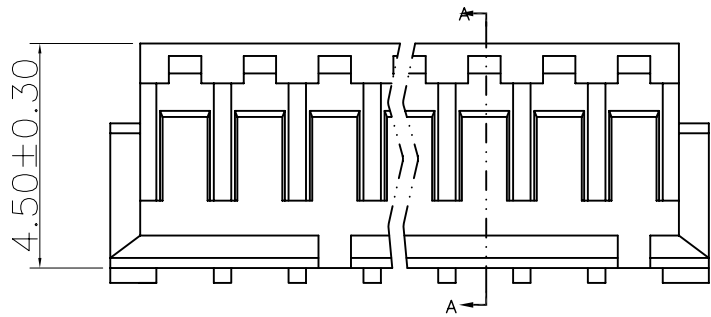


| REV. | ECN NO. | DESCRIPTION | DATE | DESIGN |
|------|---------|-------------|------|--------|
| A    |         |             |      |        |

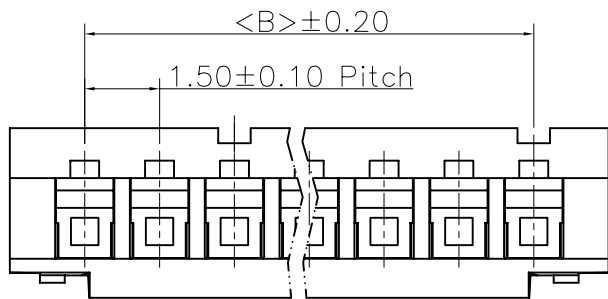


Specifications:  
 Current rating:1A AC/DC.  
 Voltage rating:100V AC/DC  
 Temperature range:-40°C~+105°C.  
 Contact resistance:20MΩ Max.  
 Insulation resistance:500MΩ Min.  
 Withstanding voltage: 500V AC/minute.  
 Material:PA66.UL94V-0.

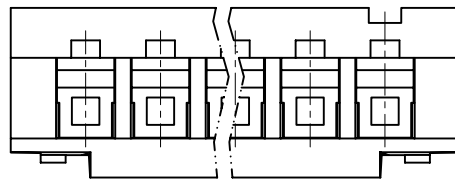


SECTION: (A-A)

| Part No.   | PIN | Dimension |       |
|------------|-----|-----------|-------|
|            |     | A         | B     |
| A1501H-02P | 02  | 4.50      | 1.50  |
| A1501H-03P | 03  | 6.00      | 3.00  |
| A1501H-04P | 04  | 7.50      | 4.50  |
| A1501H-05P | 05  | 9.00      | 6.00  |
| A1501H-06P | 06  | 10.5      | 7.50  |
| A1501H-07P | 07  | 12.00     | 9.00  |
| A1501H-08P | 08  | 13.50     | 10.50 |
| A1501H-09P | 09  | 15.00     | 12.00 |
| A1501H-10P | 10  | 16.50     | 13.50 |
| A1501H-11P | 11  | 18.00     | 15.00 |
| A1501H-12P | 12  | 19.50     | 16.50 |
| A1501H-13P | 13  | 21.00     | 18.00 |



6P以上结构



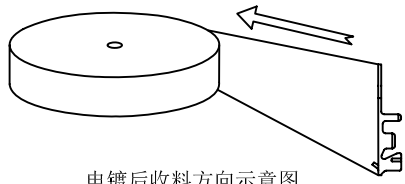
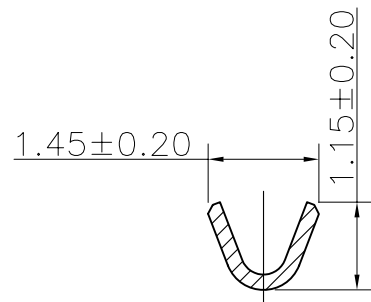
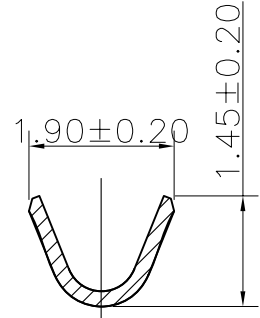
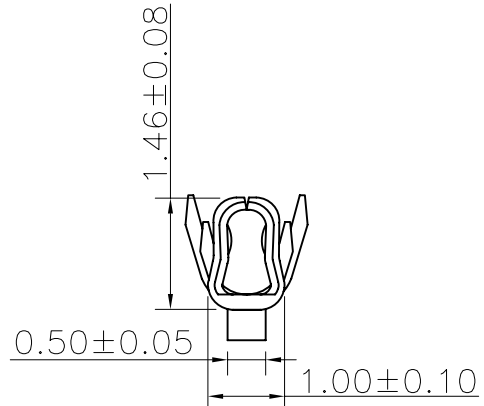
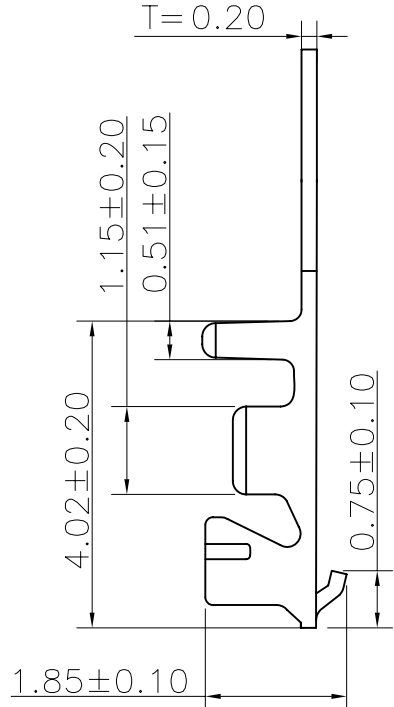
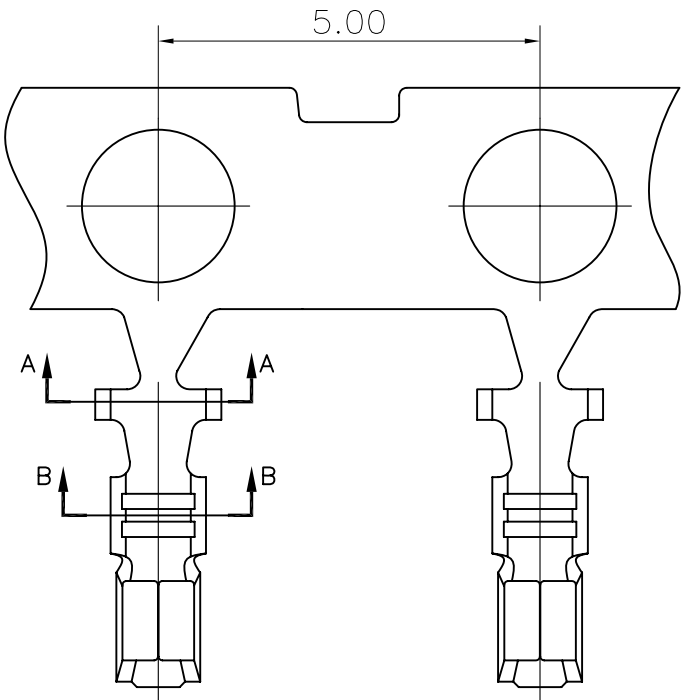
2-5P结构

**CNJM** Joint More Precision electronics Co.,Ltd.

|             |            |           |                     |
|-------------|------------|-----------|---------------------|
| DRAW NO.    | DATE       | P/N NO:   | DRAW NAME:          |
| DESIGN: 陈雪峰 | 2017.06.03 | A1501H-NP | 1.5mm pitch housing |
| CHECK: 杨焯   |            | REV. A/1  | SCALE 1:1           |
| REVIEW:     |            | UNIT: mm  | SHEET: 1 OF 1       |

| DIM   | TOL  | DIM    | TOL |
|-------|------|--------|-----|
| X.    | /    | X'     | /   |
| X.X   | 0.25 | X.X'   | /   |
| X.XX  | 0.15 | X.XX'  | /   |
| X.XXX | 0.10 | X.XXX' | /   |

| REV. | ECN NO. | DESCRIPTION | DATE | DESIGN |
|------|---------|-------------|------|--------|
| A    |         |             |      |        |



电镀后收料方向示意图  
(打线开口朝外)

**CNJM** Joint More Precision electronics Co.,Ltd.

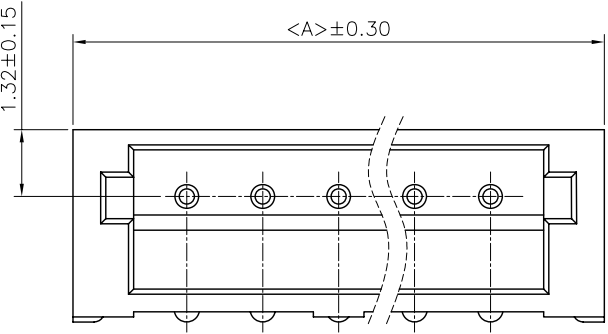
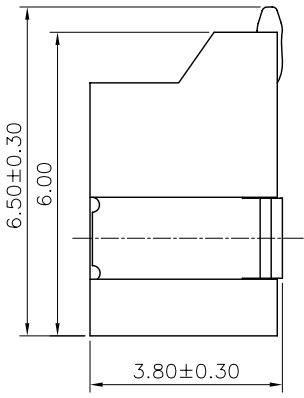
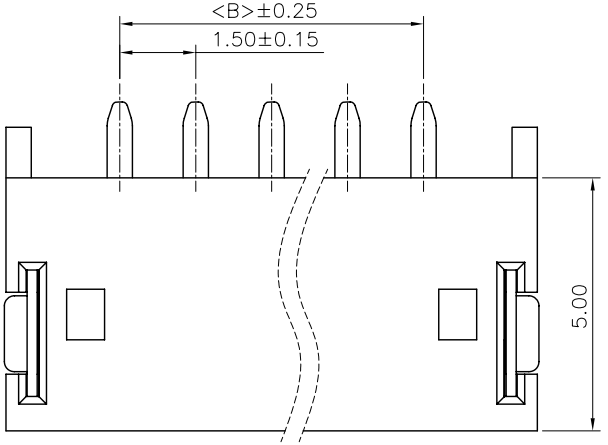
| PART No   | MATERIALS       | WIRE RANGE  | INSULATION O.D. | FINISH     | Qty/reel |
|-----------|-----------------|-------------|-----------------|------------|----------|
| A1501-XXX | PHOSPHOR BRONZE | AWG #26~#32 | 1.10mm          | Pin-plated | 10000    |

|             |            |           |                      |
|-------------|------------|-----------|----------------------|
| DRAW NO.    | DATE       | P/N NO:   | DRAW NAME:           |
| DESIGN: 陈雪峰 | 2017.06.03 | A1501-XXX | 1.5mm pitch Terminal |
| CHECK: 杨焜   |            |           |                      |
| REVIEW:     |            | REV. A/1  | SCALE 1:1            |
|             |            | UNIT: mm  | SHEET: 1 OF 1        |

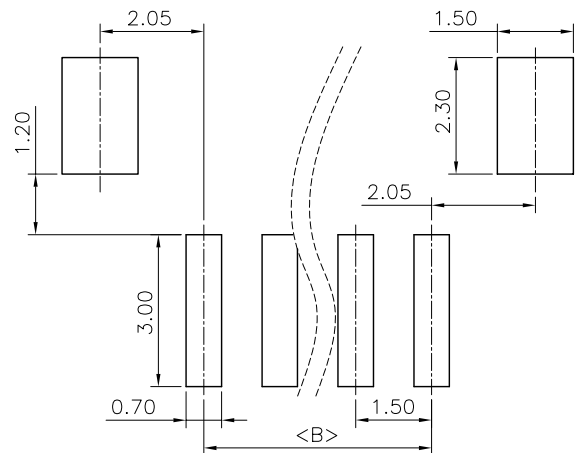
| DIM   | TOL  | DIM    | TOL |
|-------|------|--------|-----|
| X.    | /    | X.     | /   |
| X.X   | 0.25 | X.X'   |     |
| X.XX  | 0.15 | X.XX'  |     |
| X.XXX | 0.10 | X.XXX' | /   |

| REV. | ECN NO. | DESCRIPTION | DATE | DESIGN |
|------|---------|-------------|------|--------|
| A    |         |             |      |        |

Specifications:  
 Current rating:1A AC/DC.  
 Voltage rating:100V AC/DC  
 Temperature range:-40°C~+105°C.  
 Contact resistance:20MΩ Max.  
 Insulation resistance:500MΩ Min.  
 Withstanding voltage: 500V AC/minute.  
 Material:PA9T/LCP.UL94V-0.



Recommended P.C.B Layout(Top Side)  
 P.C.B Thickness = 1.20mm (Tolerance=±0.05)



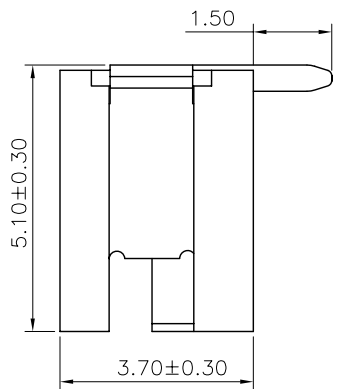
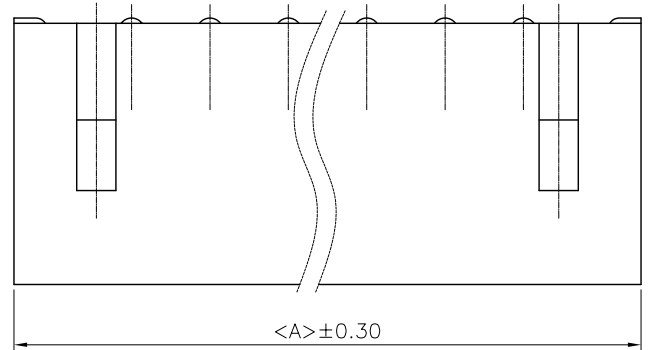
| PART NO.      | Dimensions |       |
|---------------|------------|-------|
|               | A          | B     |
| A1501WR-S-02P | 6.00       | 1.50  |
| A1501WR-S-03P | 7.50       | 3.00  |
| A1501WR-S-04P | 9.00       | 4.50  |
| A1501WR-S-05P | 10.50      | 6.00  |
| A1501WR-S-06P | 12.00      | 7.50  |
| A1501WR-S-07P | 13.50      | 9.00  |
| A1501WR-S-08P | 15.00      | 10.50 |
| A1501WR-S-09P | 16.50      | 12.00 |
| A1501WR-S-10P | 18.00      | 13.50 |
| A1501WR-S-11P | 19.50      | 15.00 |
| A1501WR-S-12P | 21.00      | 16.50 |
| A1501WR-S-13P | 22.50      | 18.00 |

**CNJM** Joint More Precision electronics Co.,Ltd.

|             |            |              |                     |
|-------------|------------|--------------|---------------------|
| DRAW NO.    | DATE       | P/N NO:      | DRAW NAME:          |
| DESIGN: 陈雪峰 | 2017.06.03 | A1501WR-S-NP | 1.5mm pitch 90° SMT |
| CHECK: 杨焯   |            |              |                     |
| REVIEW:     |            | REV. A/1     | SCALE 1:1           |
|             |            | UNIT: mm     | SHEET: 1 OF 1       |

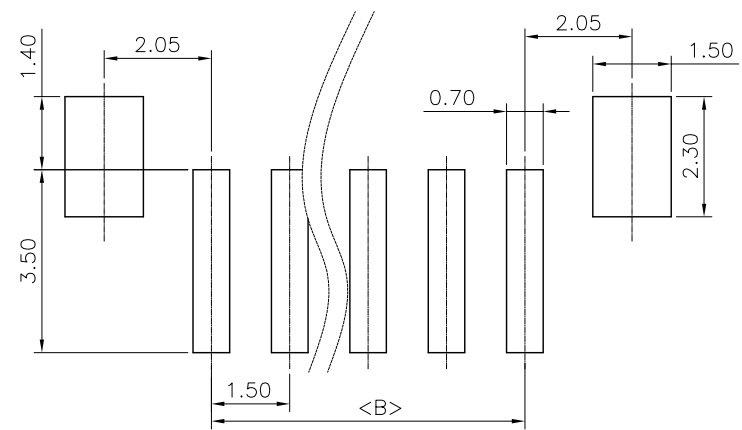
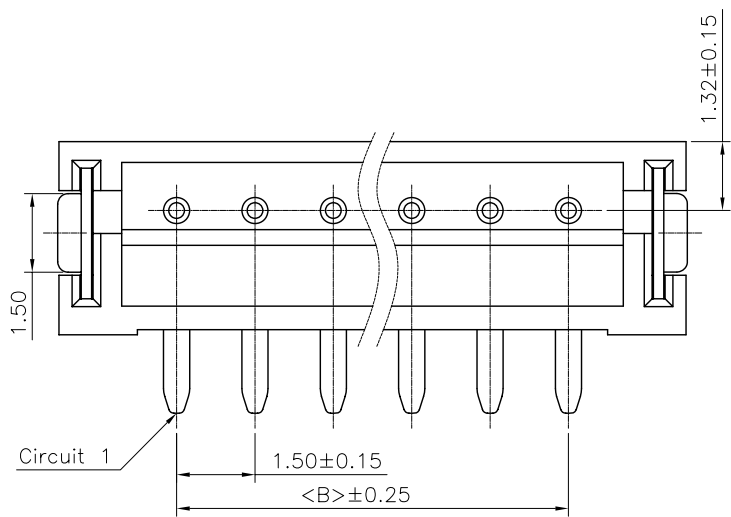
| DIM   | TOL  | DIM    | TOL |
|-------|------|--------|-----|
| X.    | /    | X'     | /   |
| X.X   | 0.25 | X.X'   | /   |
| X.XX  | 0.15 | X.XX'  | /   |
| X.XXX | 0.10 | X.XXX' | /   |

| REV. | ECN NO. | DESCRIPTION | DATE | DESIGN |
|------|---------|-------------|------|--------|
| A    |         |             |      |        |



NOTES:  
 CURRENT RATING:1A AC/DC.  
 VOLTAGE RATING:50V AC/DC  
 TEMPERATURE RANGE:-40°C~+105°C.  
 CONTACT RESISTANCE:20MΩ Max.  
 INSULATION RESISTANCE:500MΩ Min.  
 WITHSTANDING VOLTAGE: 500V AC/MINUTE.  
 MATERIAL:PA9T/LCP.UL94V-0.

Recommended P.C.B Layout(Top Side)  
 P.C.B Thickness = 1.20mm (Tolerance=±0.05)



| PART NO.      | Dimensions |       |
|---------------|------------|-------|
|               | A          | B     |
| A1501WV-S-02P | 6.00       | 1.50  |
| A1501WV-S-03P | 7.50       | 3.00  |
| A1501WV-S-04P | 9.00       | 4.50  |
| A1501WV-S-05P | 10.50      | 6.00  |
| A1501WV-S-06P | 12.00      | 7.50  |
| A1501WV-S-07P | 13.50      | 9.00  |
| A1501WV-S-08P | 15.00      | 10.50 |
| A1501WV-S-09P | 16.50      | 12.00 |
| A1501WV-S-10P | 18.00      | 13.50 |
| A1501WV-S-11P | 19.50      | 15.00 |
| A1501WV-S-12P | 21.00      | 16.50 |
| A1501WV-S-13P | 22.50      | 18.00 |

**CNJM** Joint More Precision electronics Co.,Ltd.

| DRAW NO.    | DATE       | P/N NO:      | DRAW NAME:           |
|-------------|------------|--------------|----------------------|
| DESIGN: 陈雪峰 | 2017.06.03 | A1501WV-S-NP | 1.5mm pitch 180° SMT |
| CHECK: 杨焯   |            |              |                      |
| REVIEW:     |            | REV. A/1     | SCALE 1:1            |
|             |            | UNIT: mm     | SHEET: 1 OF 1        |

| DIM   | TOL  | DIM    | TOL |
|-------|------|--------|-----|
| X.    | /    | X'     | /   |
| X.X   | 0.25 | X.X'   | /   |
| X.XX  | 0.15 | X.XX'  | /   |
| X.XXX | 0.10 | X.XXX' | /   |

## X-ON Electronics

Largest Supplier of Electrical and Electronic Components

*Click to view similar products for [Headers & Wire Housings](#) category:*

*Click to view products by [CNJM](#) manufacturer:*

Other Similar products are found below :

[0015917161](#) [0022155065](#) [57102-F02-18ULF](#) [58102-G61-06LF](#) [582553-1](#) [01.001.5753.1](#) [0050291907](#) [02.125.8002.8](#) [609-3404](#) [61062-3](#)  
[CSU011177004](#) [622-0430](#) [622-3653LF](#) [63453-116](#) [636-1030](#) [636-1427](#) [636-3427](#) [636-4007](#) [641938-9](#) [65495-038](#) [65692-001LF](#) [65781-018](#)  
[65781-047](#) [65817-010LF](#) [65817-015LF](#) [67095-007LF](#) [67601157](#) [68631-112](#) [68645-018](#) [699319-000](#) [70.362.1628.0](#) [70-4210](#) [70-4226B](#) [70-](#)  
[4853B](#) [71.350.2428.0](#) [733-134](#) [733-162](#) [760-3052](#) [MHR-64-VUAL](#) [80.063.4001.1](#) [800-90-001-10-001000](#) [801-43-002-10-013000](#)  
[801-43-006-10-002000](#) [803-43-024-10-001000](#) [803-93-012-10-001000](#) [8-1437020-4](#) [819-22-004-30-001101](#) [820-22-006-30-001101](#)  
[820-22-008-30-001101](#) [821-22-002-10-001101](#)