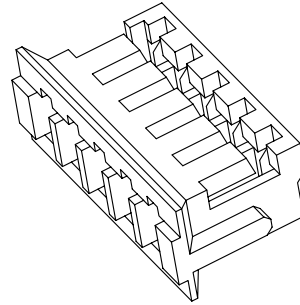
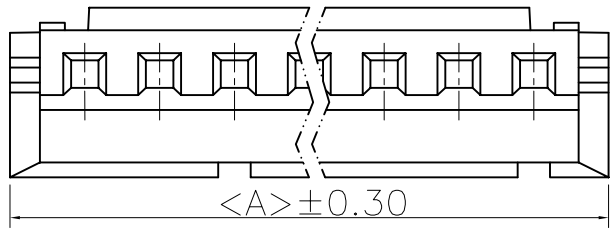
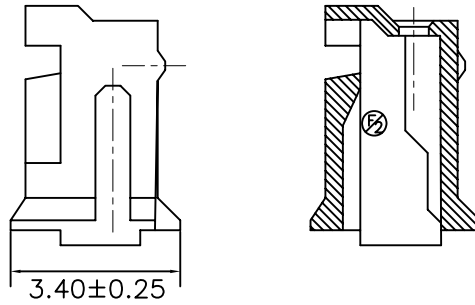
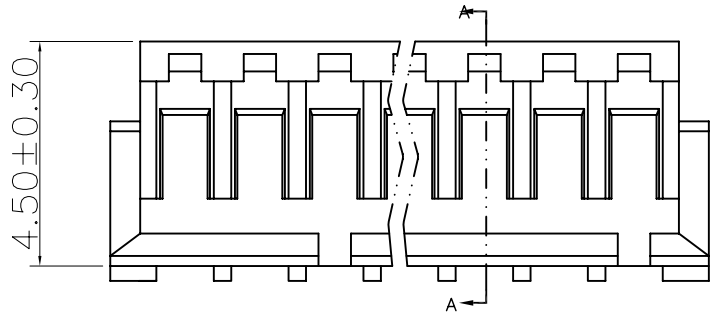


REV.	ECN NO.	DESCRIPTION	DATE	DESIGN
A				

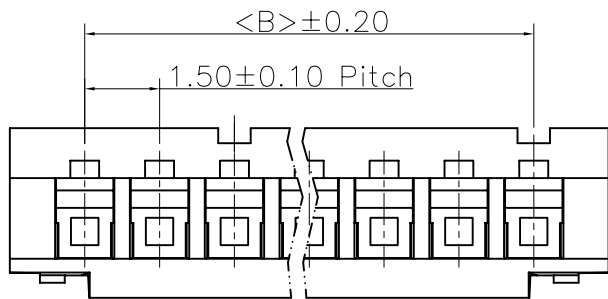


Specifications:
 Current rating:1A AC/DC.
 Voltage rating:100V AC/DC
 Temperature range:-40°C~+105°C.
 Contact resistance:20MΩ Max.
 Insulation resistance:500MΩ Min.
 Withstanding voltage: 500V AC/minute.
 Material:PA66.UL94V-0.

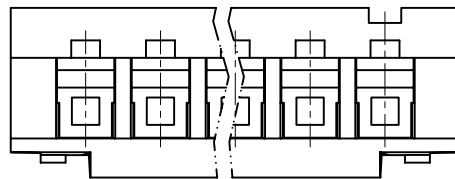


SECTION: (A-A)

Part No.	PIN	Dimension	
		A	B
A1501H-02P	02	4.50	1.50
A1501H-03P	03	6.00	3.00
A1501H-04P	04	7.50	4.50
A1501H-05P	05	9.00	6.00
A1501H-06P	06	10.5	7.50
A1501H-07P	07	12.00	9.00
A1501H-08P	08	13.50	10.50
A1501H-09P	09	15.00	12.00
A1501H-10P	10	16.50	13.50
A1501H-11P	11	18.00	15.00
A1501H-12P	12	19.50	16.50
A1501H-13P	13	21.00	18.00



6P以上结构



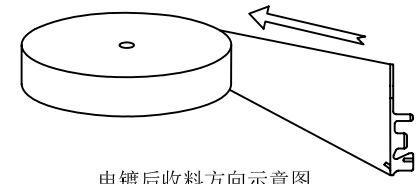
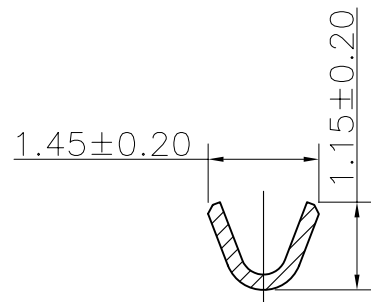
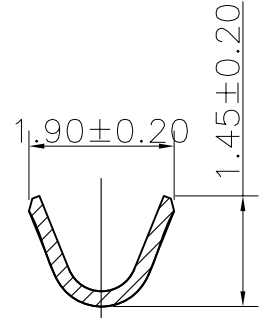
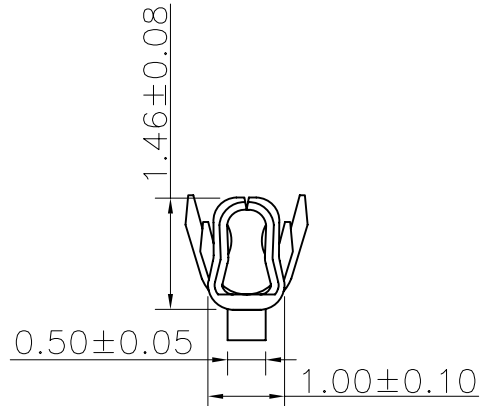
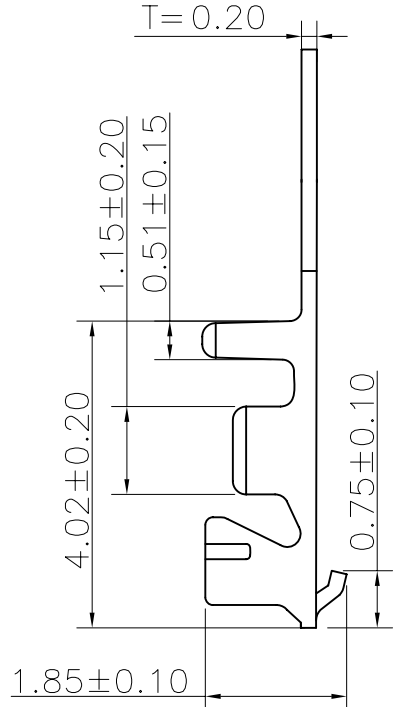
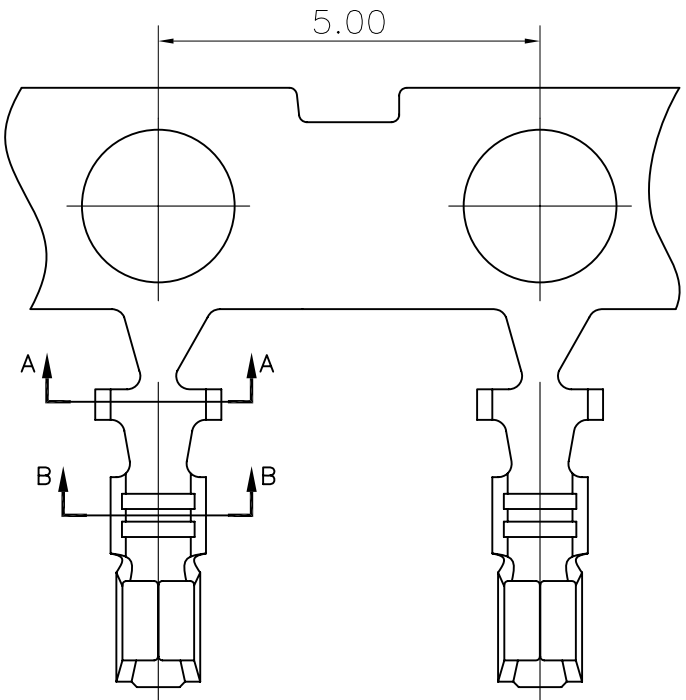
2-5P结构

CNJM Joint More Precision electronics Co.,Ltd.

DRAW NO.	DATE	P/N NO:	DRAW NAME:
DESIGN: 陈雪峰	2017.06.03	A1501H-NP	1.5mm pitch housing
CHECK: 杨焯		REV. A/1	SCALE 1:1
REVIEW:		UNIT: mm	SHEET: 1 OF 1

DIM	TOL	DIM	TOL
X.	/	X'	/
X.X	0.25	X.X'	
X.XX	0.15	X.XX'	
X.XXX	0.10	X.XXX'	

REV.	ECN NO.	DESCRIPTION	DATE	DESIGN
A				



电镀后收料方向示意图
(打线开口朝外)

CNJM Joint More Precision electronics Co.,Ltd.

PART No	MATERIALS	WIRE RANGE	INSULATION O.D.	FINISH	Qty/reel
A1501-XXX	PHOSPHOR BRONZE	AWG #26~#32	1.10mm	Pin-plated	10000

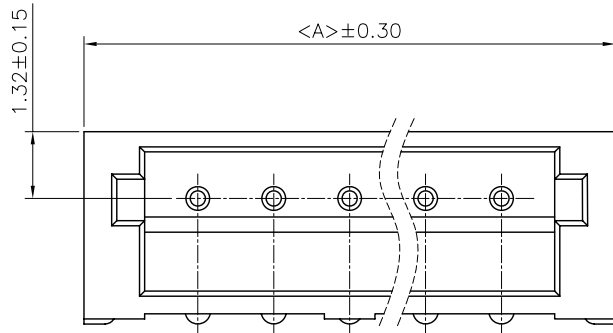
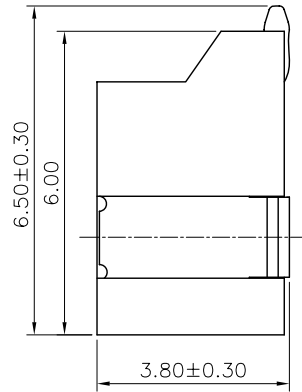
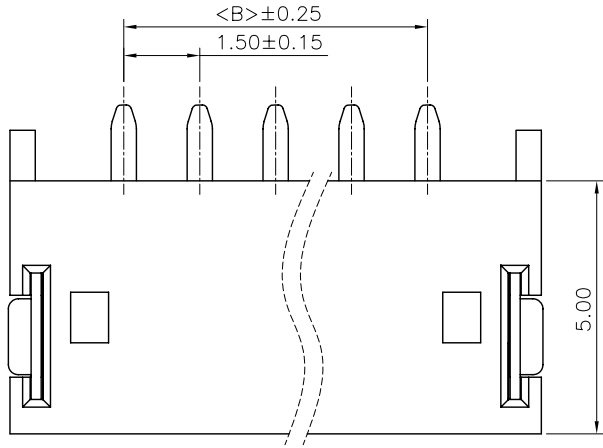
DRAW NO.	DATE	P/N NO:	DRAW NAME:
DESIGN: 陈雪峰	2017.06.03	A1501-XXX	1.5mm pitch Terminal
CHECK: 杨焜			
REVIEW:		REV. A/1	SCALE 1:1

UNIT:	SHEET:	Symbol
mm	1 OF 1	⊕

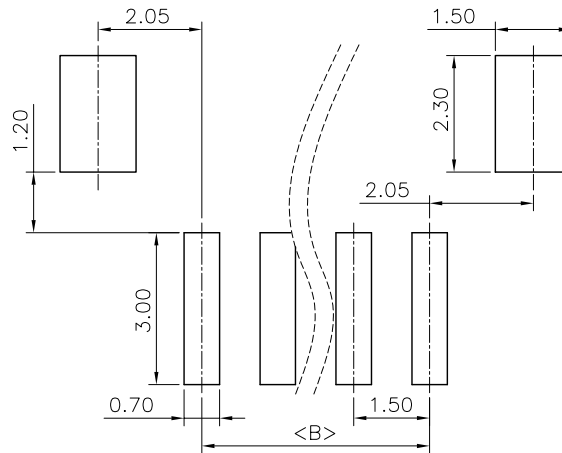
DIM	TOL	DIM	TOL
X.	/	X.	/
X.X	0.25	X.X'	
X.XX	0.15	X.XX'	
X.XXX	0.10	X.XXX'	/

REV.	ECN NO.	DESCRIPTION	DATE	DESIGN
A				

Specifications:
 Current rating:1A AC/DC.
 Voltage rating:100V AC/DC
 Temperature range:-40°C~+105°C.
 Contact resistance:20MΩ Max.
 Insulation resistance:500MΩ Min.
 Withstanding voltage: 500V AC/minute.
 Material:PA9T/LCP.UL94V-0.



Recommended P.C.B Layout(Top Side)
 P.C.B Thickness = 1.20mm (Tolerance=±0.05)



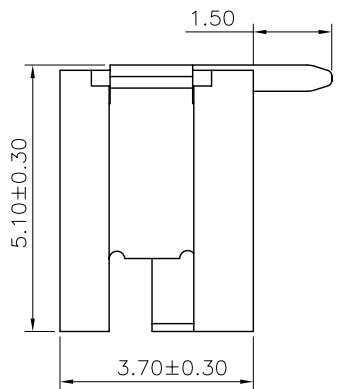
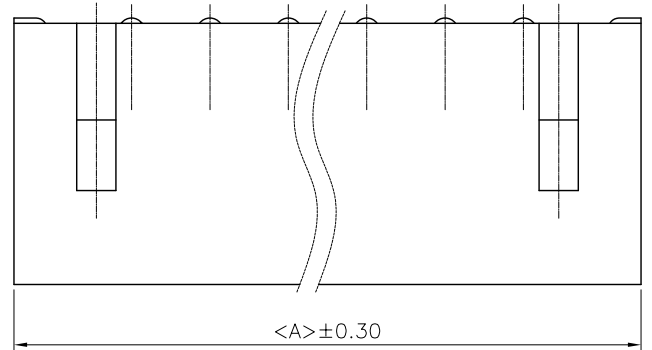
PART NO.	Dimensions	
	A	B
A1501WR-S-02P	6.00	1.50
A1501WR-S-03P	7.50	3.00
A1501WR-S-04P	9.00	4.50
A1501WR-S-05P	10.50	6.00
A1501WR-S-06P	12.00	7.50
A1501WR-S-07P	13.50	9.00
A1501WR-S-08P	15.00	10.50
A1501WR-S-09P	16.50	12.00
A1501WR-S-10P	18.00	13.50
A1501WR-S-11P	19.50	15.00
A1501WR-S-12P	21.00	16.50
A1501WR-S-13P	22.50	18.00

CNJM Joint More Precision electronics Co.,Ltd.

DRAW NO.	DATE	P/N NO:	DRAW NAME:
DESIGN: 陈雪峰	2017.06.03	A1501WR-S-NP	1.5mm pitch 90° SMT
CHECK: 杨焯			
REVIEW:		REV. A/1	SCALE 1:1
		UNIT: mm	SHEET: 1 OF 1

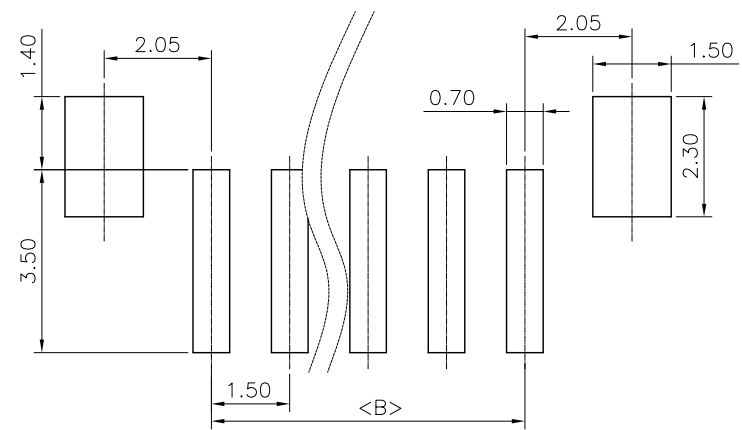
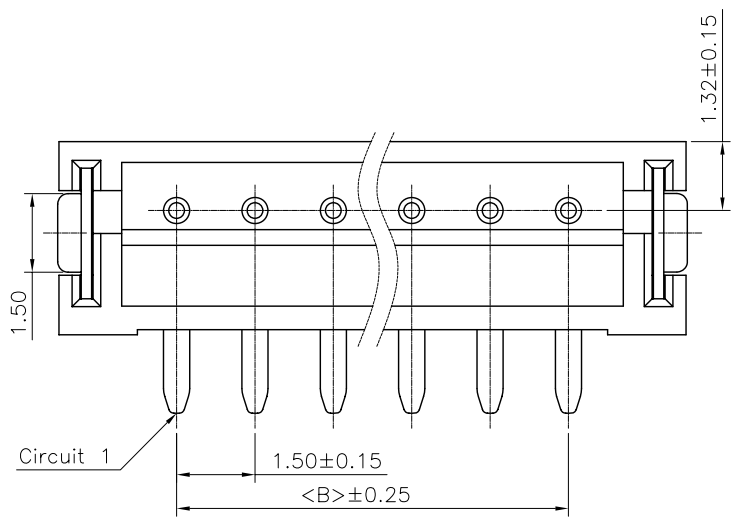
DIM	TOL	DIM	TOL
X.	/	X'	/
X.X	0.25	X.X'	/
X.XX	0.15	X.XX'	/
X.XXX	0.10	X.XXX'	/

REV.	ECN NO.	DESCRIPTION	DATE	DESIGN
A				



NOTES:
 CURRENT RATING:1A AC/DC.
 VOLTAGE RATING:50V AC/DC
 TEMPERATURE RANGE:-40°C~+105°C.
 CONTACT RESISTANCE:20MΩ Max.
 INSULATION RESISTANCE:500MΩ Min.
 WITHSTANDING VOLTAGE: 500V AC/MINUTE.
 MATERIAL:PA9T/LCP.UL94V-0.

Recommended P.C.B Layout(Top Side)
 P.C.B Thickness = 1.20mm (Tolerance=±0.05)



PART NO.	Dimensions	
	A	B
A1501WV-S-02P	6.00	1.50
A1501WV-S-03P	7.50	3.00
A1501WV-S-04P	9.00	4.50
A1501WV-S-05P	10.50	6.00
A1501WV-S-06P	12.00	7.50
A1501WV-S-07P	13.50	9.00
A1501WV-S-08P	15.00	10.50
A1501WV-S-09P	16.50	12.00
A1501WV-S-10P	18.00	13.50
A1501WV-S-11P	19.50	15.00
A1501WV-S-12P	21.00	16.50
A1501WV-S-13P	22.50	18.00

CNJM Joint More Precision electronics Co.,Ltd.

DRAW NO.	DATE	P/N NO:	DRAW NAME:
DESIGN: 陈雪峰	2017.06.03	A1501WV-S-NP	1.5mm pitch 180° SMT
CHECK: 杨焯			
REVIEW:		REV. A/1	SCALE 1:1
		UNIT: mm	SHEET: 1 OF 1

DIM	TOL	DIM	TOL
X.	/	X'	/
X.X	0.25	X.X'	/
X.XX	0.15	X.XX'	/
X.XXX	0.10	X.XXX'	/

X-ON Electronics

Largest Supplier of Electrical and Electronic Components

Click to view similar products for [Headers & Wire Housings](#) category:

Click to view products by [CNJM](#) manufacturer:

Other Similar products are found below :

[57102-F02-18ULF](#) [58102-G61-06LF](#) [582553-1](#) [009176003701906](#) [01.001.5753.1](#) [0050291907](#) [02.125.8002.8](#) [609-3404](#) [61062-3](#)
[CSU011177004](#) [622-0430](#) [622-3653LF](#) [63453-116](#) [636-1030](#) [636-1427](#) [636-3427](#) [636-4007](#) [641938-9](#) [65495-038](#) [65692-001LF](#) [65781-018](#)
[65781-047](#) [65817-010LF](#) [65817-015LF](#) [66207-023LF](#) [67095-007LF](#) [67601157](#) [68631-112](#) [68645-018](#) [699319-000](#) [M90C108951C](#)
[70.362.1628.0](#) [70-4210](#) [70-4226B](#) [70-4853B](#) [707-5028](#) [71.350.2428.0](#) [71961-016LF](#) [733-134](#) [733-162](#) [754199-000](#) [760-3052](#) [80.063.4001.1](#)
[800-90-001-10-001000](#) [800-90-010-10-002000](#) [801-43-002-10-013000](#) [801-43-006-10-002000](#) [803-41-018-10-001000](#) [803-43-024-10-](#)
[001000](#) [803-93-012-10-001000](#)