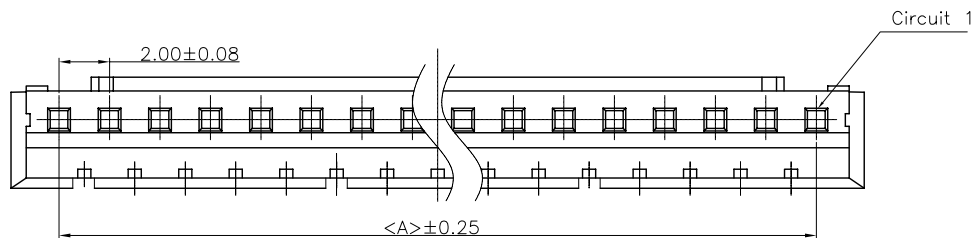
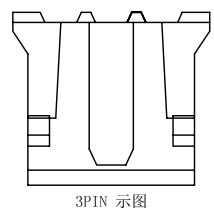
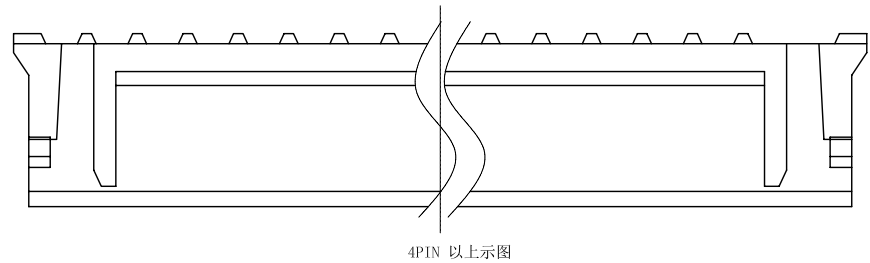
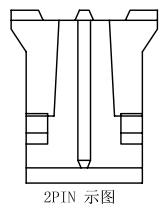
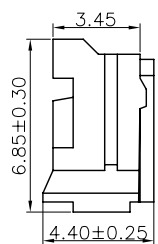
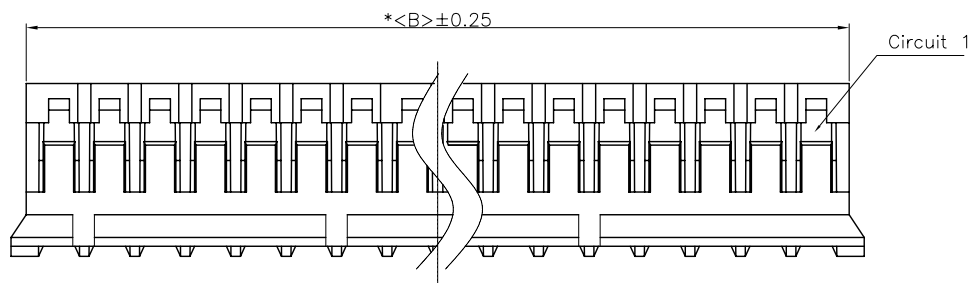


| REV. | ECN NO. | DESCRIPTION | DATE | DESIGN |
|------|---------|-------------|------|--------|
| A | | | | |



NOTES:

CURRENT RATING: 2A AC/DC.
 VOLTAGE RATING: 100V AC/DC
 TEMPERATURE RANGE: -40°C ~ +105°C.
 CONTACT RESISTANCE: 0.10MΩ Max.
 INSULATION RESISTANCE: 1000MΩ Min.
 WITHSTANDING VOLTAGE: 800V AC/MINUTE.
 MATERIAL: PA66 UL94V0.



| PART NO. | DIMENSIONS | |
|------------|------------|-------|
| | A | B |
| A2001H-02P | 2.00 | 4.60 |
| A2001H-03P | 4.00 | 6.60 |
| A2001H-04P | 6.00 | 8.60 |
| A2001H-05P | 8.00 | 10.60 |
| A2001H-06P | 10.00 | 12.60 |
| A2001H-07P | 12.00 | 14.60 |
| A2001H-08P | 14.00 | 16.60 |
| A2001H-09P | 16.00 | 18.60 |
| A2001H-10P | 18.00 | 20.60 |
| A2001H-11P | 20.00 | 22.60 |
| A2001H-12P | 22.00 | 24.60 |
| A2001H-13P | 24.00 | 26.60 |
| A2001H-14P | 26.00 | 28.60 |
| A2001H-15P | 28.00 | 30.60 |
| A2001H-16P | 30.00 | 32.60 |

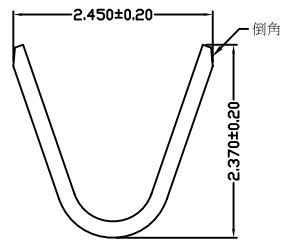
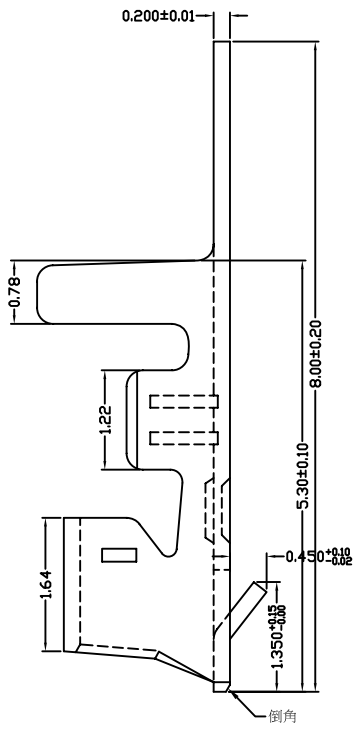
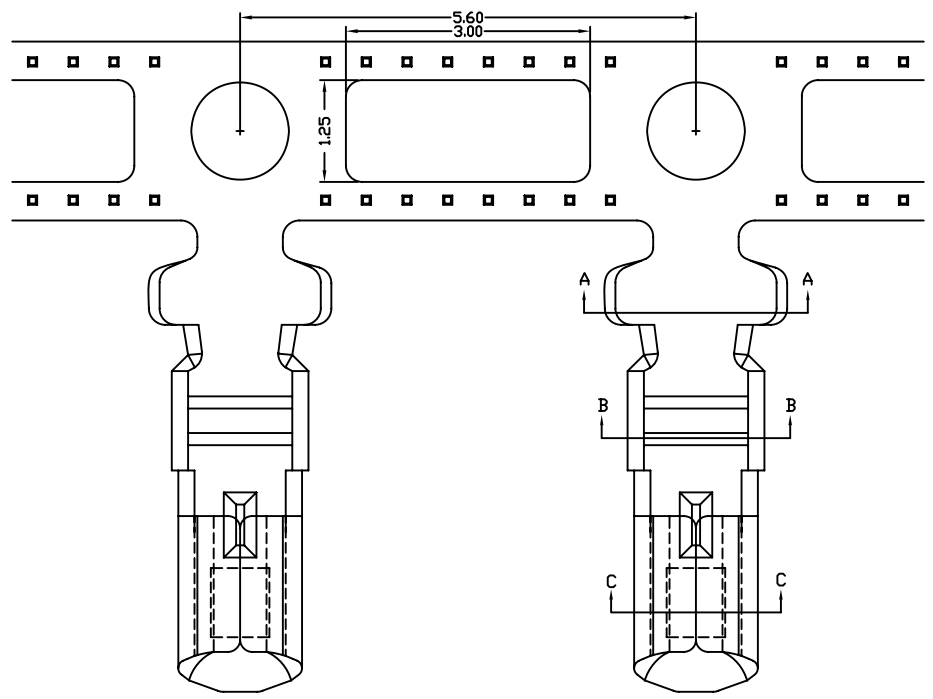
CNJM Joint More Precision electronics Co.,Ltd.

| DIM | TOL | DIM | TOL |
|-------|------|--------|-----|
| X. | / | X' | / |
| X.X | 0.25 | X.X' | / |
| X.XX | 0.15 | X.XX' | / |
| X.XXX | 0.10 | X.XXX' | / |

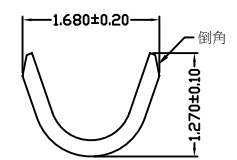
| DRAW NO. | DATE | P/N NO: | DRAW NAME: |
|-------------|------------|-----------|---------------------|
| DESIGN: 陈雪峰 | 2017.06.03 | A2001H-NP | 2.0mm pitch housing |
| CHECK: 杨焯 | | | |
| REVIEW: | | REV. A/1 | SCALE 1:1 |

| UNIT: | SHEET: |
|-------|--------|
| mm | 1 OF 1 |

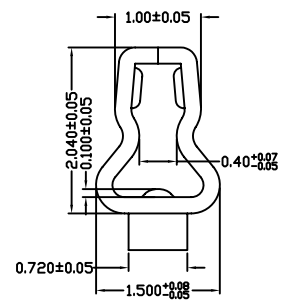
| REV. | ECN NO. | DESCRIPTION | DATE | DESIGN |
|------|---------|-------------|------|--------|
| A | | | | |



SECTION A-A



SECTION B-B



SECTION C-C

CNJM Joint More Precision electronics Co.,Ltd.

| Part NO. | Wire range | Insulation O.D. | Materials | Finish | Qty/reel |
|-----------|------------|-----------------|-----------------|------------|----------|
| A2001-TP | AWG#24-32 | 1.8mm(max) | Phosphor Bronze | Tin-plated | 10000PCS |
| A2001-TPE | AWG#24-32 | 1.8mm(max) | Phosphor Bronze | Tin-plated | 10000PCS |

| DIM | TOL | DIM | TOL |
|-------|------|--------|-----|
| X. | / | X° | / |
| X.X | 0.25 | X.X* | |
| X.XX | 0.15 | X.XX* | |
| X.XXX | 0.10 | X.XXX* | / |

| DRAW NO. | DATE | P/N NO. | DRAW NAME: |
|-------------|------------|-----------|----------------------|
| DESIGN: 陈雪峰 | 2017.06.03 | A2001-XXX | 2.0mm pitch Terminal |
| CHECK: 杨焯 | | | |
| REVIEW: | | REV. A/1 | SCALE 1:1 |

| UNIT: | SHEET: |
|-------|--------|
| mm | 1 OF 1 |



| REV. | ECN NO. | DESCRIPTION | DATE | DESIGN |
|------|---------|-------------|------|--------|
| A | | | | |

SPECIFICATIONS

- 1) MATERIAL:
HOUSING:PA9T,UL94V-0.
TERMINAL:BRASS,TIN PLATING
- 2) CURRENT RATING:2A AC,DC.
- 3) VOLTAGE RATING:100V AC/DC
- 4) CONTACT RESISTANCE:20M OHMS MAX
- 5) INSULATION RESISTANCE:1,000M OHMS MIN.
- 6) TEMPERATURE RANGE:-40°~+105°.

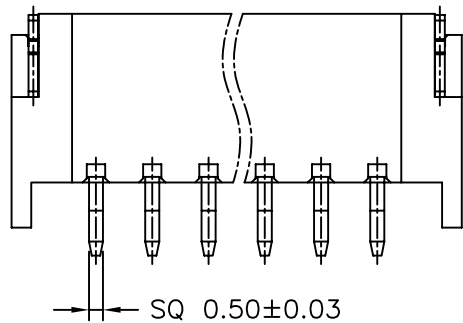
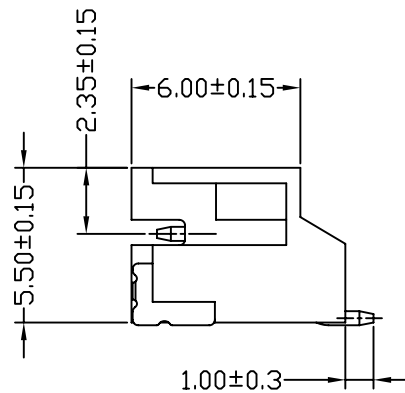
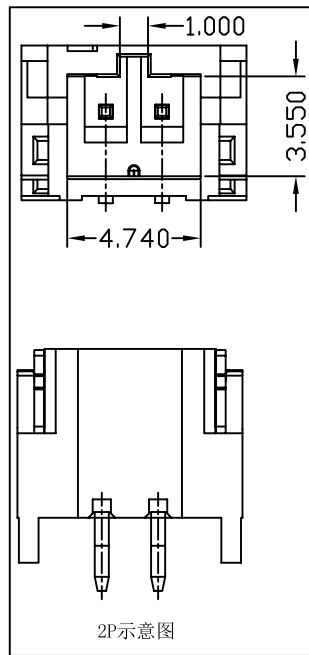
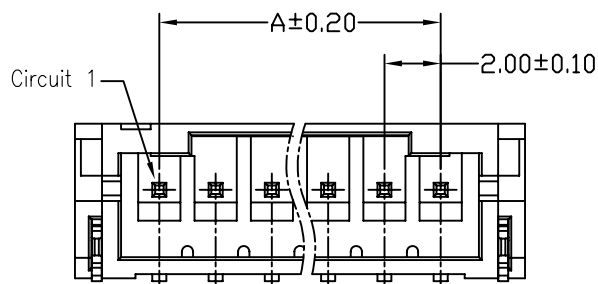
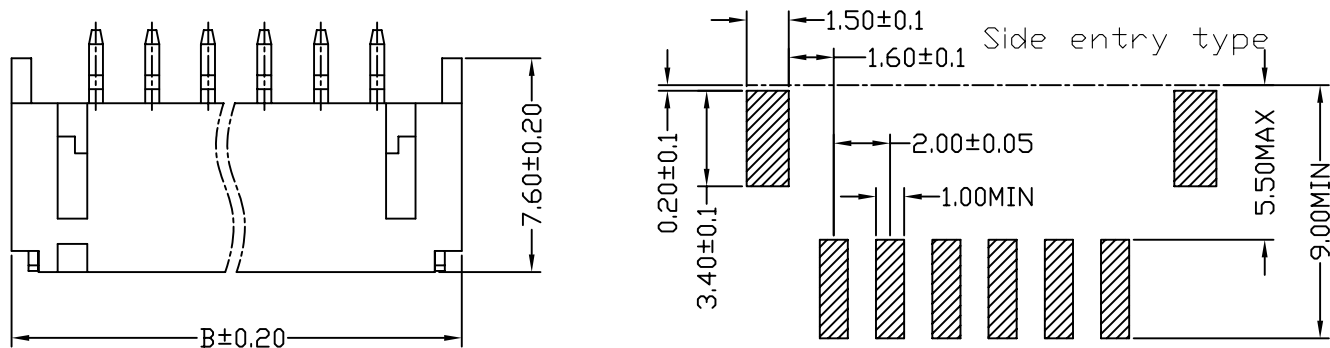
Ordering Information&Dimensions:

| PART NO. | Dimensions | |
|---------------|------------|-------|
| | A | B |
| A2001WR-S-02P | 2.00 | 8.00 |
| A2001WR-S-03P | 4.00 | 10.00 |
| A2001WR-S-04P | 6.00 | 12.00 |
| A2001WR-S-05P | 8.00 | 14.00 |
| A2001WR-S-06P | 10.00 | 16.00 |
| A2001WR-S-07P | 12.00 | 18.00 |
| A2001WR-S-08P | 14.00 | 20.00 |
| A2001WR-S-09P | 16.00 | 22.00 |
| A2001WR-S-10P | 18.00 | 24.00 |
| A2001WR-S-11P | 20.00 | 26.00 |
| A2001WR-S-12P | 22.00 | 28.00 |
| A2001WR-S-13P | 24.00 | 30.00 |
| A2001WR-S-14P | 26.00 | 32.00 |
| A2001WR-S-15P | 28.00 | 34.00 |
| A2001WR-S-16P | 30.00 | 36.00 |

CNJM Joint More Precision electronics Co.,Ltd.

| | | | |
|-------------|------------|-----------------|---------------------------|
| DRAW NO. | DATE | P/N NO: | DRAW NAME: |
| DESIGN: 陈雪峰 | 2017.06.03 | A2001WR-S-NP-HF | 2.0mm pitch 90° SMT wafer |
| CHECK: 杨焯 | | | |
| REVIEW: | | REV. A/1 | SCALE 1:1 |
| | | UNIT: mm | SHEET 1 OF 1 |

| DIM | TOL | DIM | TOL |
|-------|------|--------|-----|
| X. | / | X°. | / |
| X.X | 0.25 | X.X° | |
| X.XX | 0.15 | X.XX° | |
| X.XXX | 0.10 | X.XXX° | / |



2P示意图

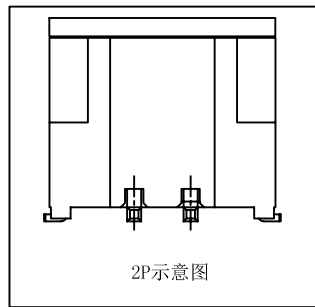
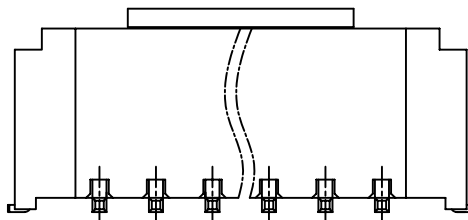
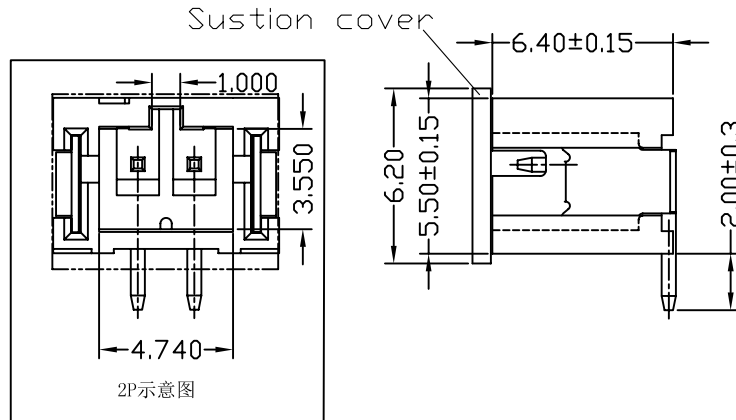
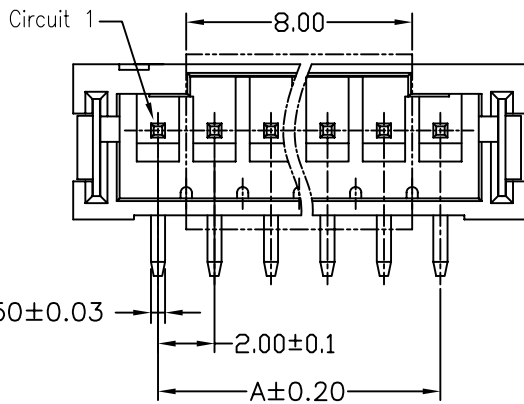
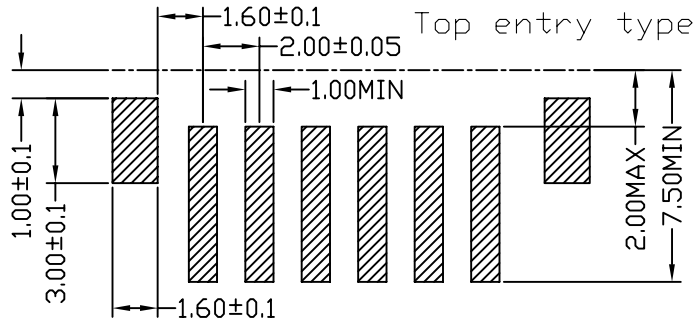
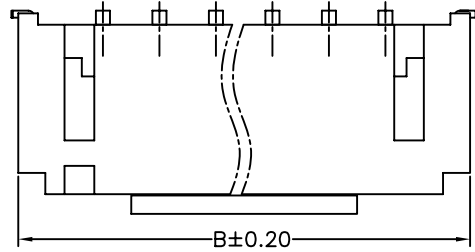
| REV. | ECN NO. | DESCRIPTION | DATE | DESIGN |
|------|---------|-------------|------|--------|
| A | | | | |

SPECIFICATIONS

- 1) MATERIAL:
HOUSING:PA9T,UL 94V-0.
TERMINAL:BRASS,TIN PLATING
- 2) CURRENT RATING:2A AC,DC.
- 3) VOLTAGE RATING:100V AC/DC
- 4) CONTACT RESISTANCE:20M OHMS MAX
- 5) INSULATION RESISTANCE:1,000M OHMS MIN.
- 6) TEMPERATURE RANGE:-40°~+105°.

Ordering Information&Dimensions:

| PART NO. | Dimensions | |
|---------------|------------|-------|
| | A | B |
| A2001WV-S-02P | 2.00 | 8.00 |
| A2001WV-S-03P | 4.00 | 10.00 |
| A2001WV-S-04P | 6.00 | 12.00 |
| A2001WV-S-05P | 8.00 | 14.00 |
| A2001WV-S-06P | 10.00 | 16.00 |
| A2001WV-S-07P | 12.00 | 18.00 |
| A2001WV-S-08P | 14.00 | 20.00 |
| A2001WV-S-09P | 16.00 | 22.00 |
| A2001WV-S-10P | 18.00 | 24.00 |
| A2001WV-S-11P | 20.00 | 26.00 |
| A2001WV-S-12P | 22.00 | 28.00 |
| A2001WV-S-13P | 24.00 | 30.00 |
| A2001WV-S-14P | 26.00 | 32.00 |
| A2001WV-S-15P | 28.00 | 34.00 |
| A2001WV-S-16P | 30.00 | 36.00 |



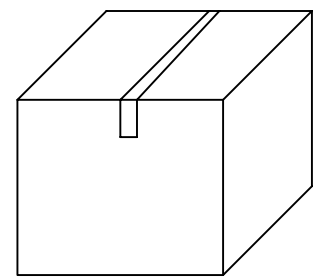
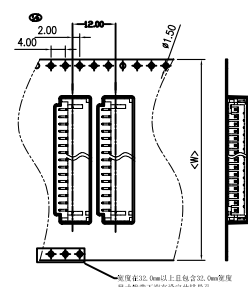
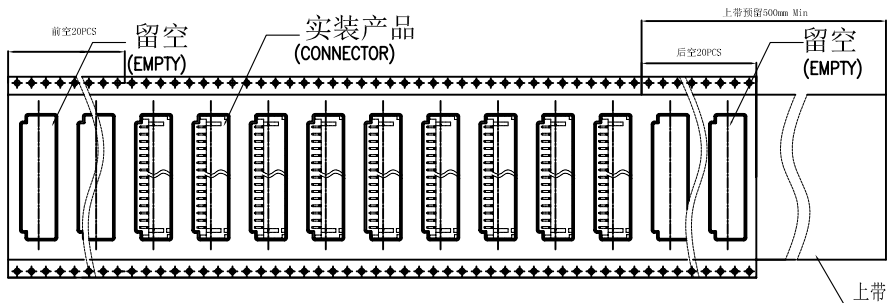
| DIM | TOL | DIM | TOL |
|-------|------|--------|-----|
| X. | / | X* | / |
| X.X | 0.25 | X.X* | |
| X.XX | 0.15 | X.XX* | |
| X.XXX | 0.10 | X.XXX* | / |

CNJM Joint More Precision electronics Co.,Ltd.

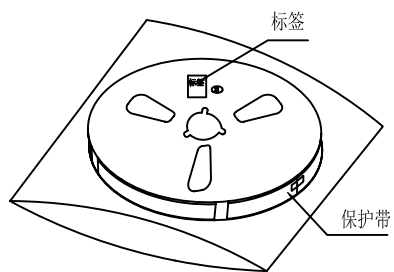
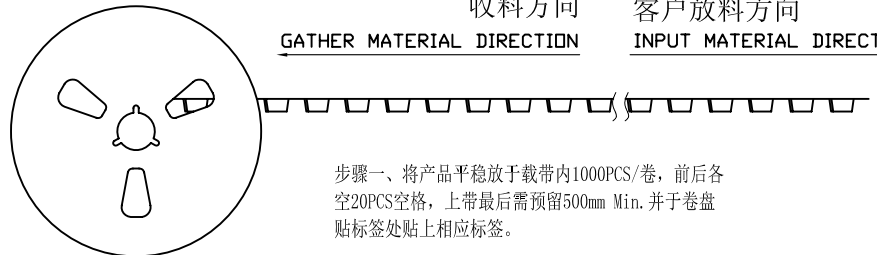
| DRAW NO. | DATE | P/N NO. | DRAW NAME: |
|-------------|------------|-----------------|----------------------------|
| DESIGN: 陈雪峰 | 2017.06.03 | A2001WV-S-NP-HF | 2.0mm pitch 180° SMT wafer |
| CHECK: 杨 焯 | | | |
| REVIEW: | | REV. A/1 | SCALE 1:1 |

UNIT: mm SHEET: 1 OF 1

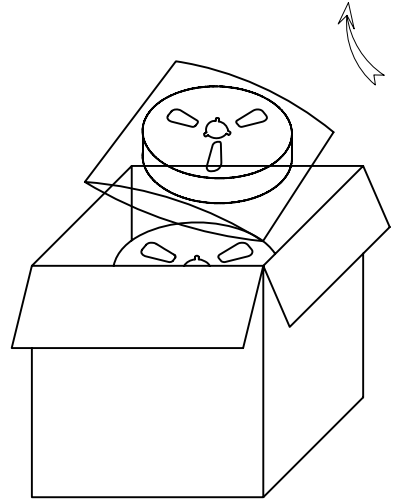
| REV. | ECN NO. | DESCRIPTION | DATE | DESIGN |
|------|---------|-------------|------|--------|
| A | | | | |



收料方向 GATHER MATERIAL DIRECTION
 客户放料方向 INPUT MATERIAL DIRECTION



步骤二、在卷盘表层增加一层保护带, 并在卷盘四周贴上美纹带, 再套上1PCS高密度PE袋, 包装好后, 需在包装卷盘上贴上产品标签, 注明产品名称及数量等。



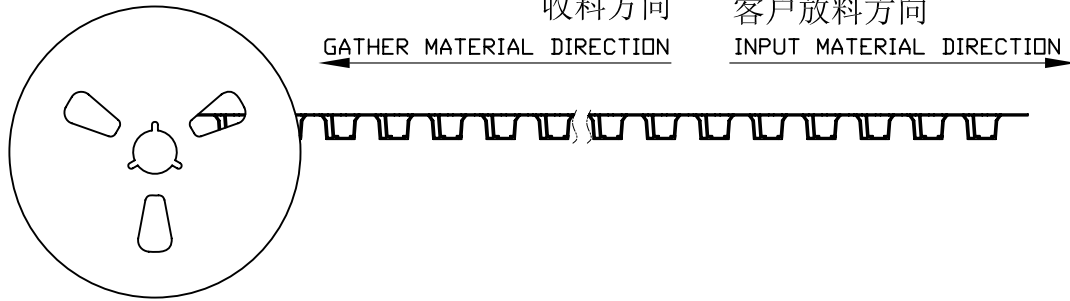
| Dimensions | 载带尺寸 | 盘箱 |
|------------|------|----------|
| B | W | Reel/Box |
| 2P | 24 | 14 |
| 3P | | |
| 4P | | |
| 5P | 32 | 10 |
| 6P | | |
| 7P | | |
| 8P | | |
| 9P | 44 | 7 |
| 10P | | |
| 11P | | |
| 12P | | |
| 13P | 56 | 6 |
| 14P | | |
| 15P | | |
| 16P | | |

| DIM | TOL | DIM | TOL |
|-------|------|--------|-----|
| X. | / | X* | / |
| X.X | 0.25 | X.X* | |
| X.XX | 0.15 | X.XX* | |
| X.XXX | 0.10 | X.XXX* | / |

CNJM Joint More Precision electronics Co.,Ltd.

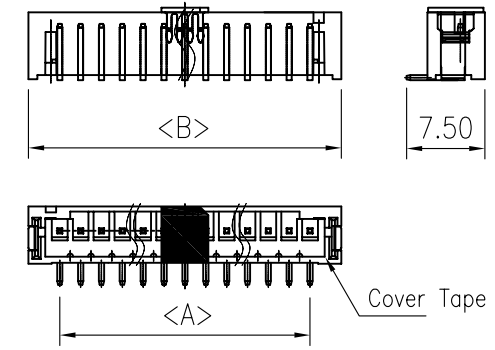
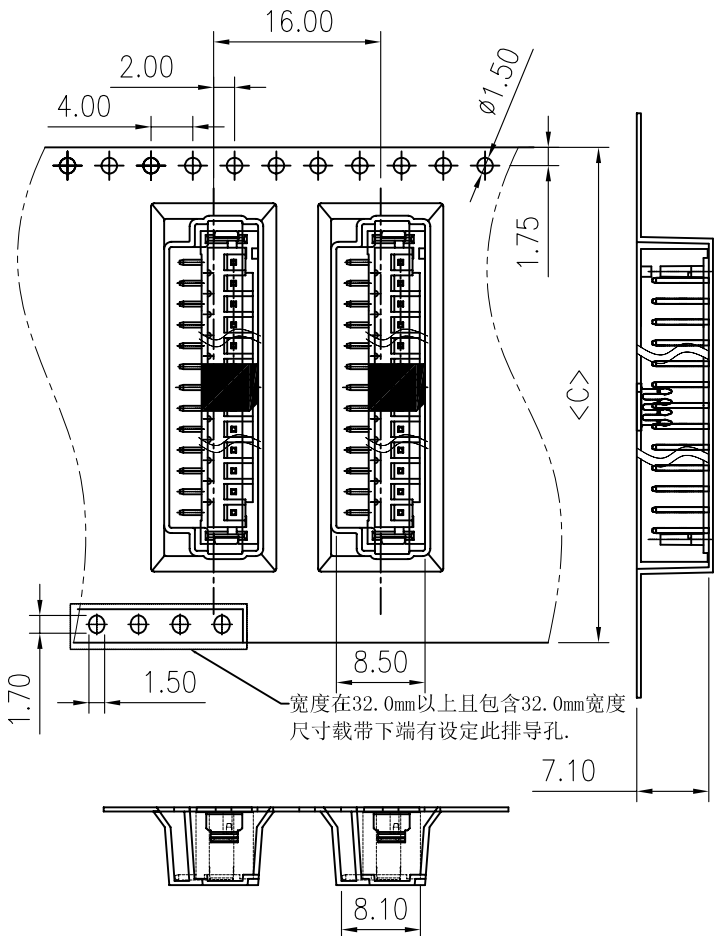
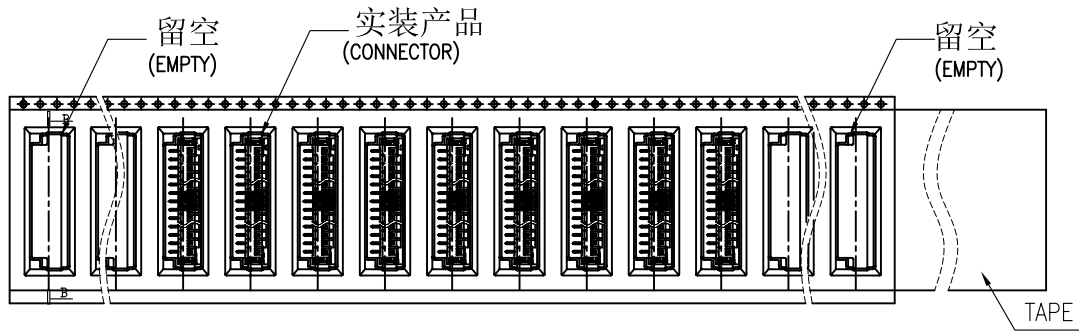
| | | | |
|-------------|------------|----------|--------------------|
| DRAW NO. | DATE | P/N NO: | DRAW NAME: |
| DESIGN: 陈雪峰 | 2017.06.03 | | PH2.0 SMT 90° 包装规格 |
| CHECK: 杨 焯 | | | |
| REVIEW: | | REV. A/1 | SCALE 1:1 |
| | | UNIT: mm | SHEET: 1 OF 1 |

| REV. | ECN NO. | DESCRIPTION | DATE | DESIGN |
|------|---------|-------------|------|--------|
| A | | | | |



收料方向 客户放料方向
 GATHER MATERIAL DIRECTION INPUT MATERIAL DIRECTION

收料方向 客户放料方向
 GATHER MATERIAL DIRECTION INPUT MATERIAL DIRECTION



| Part No. | Dimensions | | 载带尺寸 C | Reel/Box |
|---------------|------------|-------|-----------|----------|
| | A | B | | |
| A2001WV-S-02P | 2.00 | 8.00 | 24.0 | 12 |
| A2001WV-S-03P | 4.00 | 10.00 | | |
| A2001WV-S-04P | 6.00 | 12.00 | | |
| A2001WV-S-05P | 8.00 | 14.00 | 32.0 | 10 |
| A2001WV-S-06P | 10.00 | 16.00 | | |
| A2001WV-S-07P | 12.00 | 18.00 | | |
| A2001WV-S-08P | 14.00 | 20.00 | 44.0 | 8 |
| A2001WV-S-09P | 16.00 | 22.00 | | |
| A2001WV-S-10P | 18.00 | 24.00 | | |
| A2001WV-S-11P | 20.00 | 26.00 | 56.0 | 6 |
| A2001WV-S-12P | 22.00 | 28.00 | | |
| A2001WV-S-13P | 24.00 | 30.00 | | |
| A2001WV-S-14P | 26.00 | 32.00 | | |
| A2001WV-S-15P | 28.00 | 34.00 | | |
| A2001WV-S-16P | 30.00 | 36.00 | | |

CNJM Joint More Precision electronics Co.,Ltd.

| | | | |
|-------------|------------|----------|--------------------|
| DRAW NO. | DATE | P/N NO. | DRAW NAME: |
| DESIGN: 陈雪峰 | 2017.06.03 | | PH2.0 SMT 180°包装规格 |
| CHECK: 杨焯 | | | |
| REVIEW: | | REV. A/1 | SCALE 1:1 |
| | | UNIT: mm | SHEET: 1 OF 1 |

| DIM | TOL | DIM | TOL |
|-------|------|--------|-----|
| X. | / | X°. | / |
| X.X | 0.25 | X.X° | |
| X.XX | 0.15 | X.XX° | |
| X.XXX | 0.10 | X.XXX° | / |

X-ON Electronics

Largest Supplier of Electrical and Electronic Components

Click to view similar products for [Headers & Wire Housings](#) category:

Click to view products by [CNJM](#) manufacturer:

Other Similar products are found below :

[57102-F02-18ULF](#) [58102-G61-06LF](#) [0009485154](#) [009176003701906](#) [0050291907](#) [02.125.8002.8](#) [609-3404](#) [61062-3](#) [622-0430](#) [622-3653LF](#)
[63453-116](#) [636-1030](#) [636-1427](#) [636-3427](#) [636-4007](#) [641938-9](#) [644827-2](#) [65495-038](#) [65692-001LF](#) [65781-018](#) [65781-047](#) [65817-010LF](#)
[65817-015LF](#) [66207-023LF](#) [67016-026LF](#) [67095-007LF](#) [68631-112](#) [68645-018](#) [68648-049](#) [699319-000](#) [70.362.1628.0](#) [70-4210](#) [70-4226B](#)
[70-4853B](#) [707-5020](#) [707-5028](#) [71.350.2428.0](#) [71961-016LF](#) [733-134](#) [754199-000](#) [760-3052](#) [787-8014-00](#) [FCN-367T-T012/H](#) [80.063.4001.1](#)
[800-90-001-10-001000](#) [800-90-010-10-002000](#) [801-43-002-10-013000](#) [801-43-006-10-002000](#) [803-41-018-10-001000](#) [803-43-014-20-](#)
[001000](#)