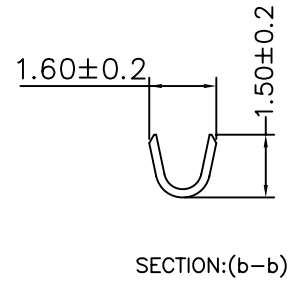
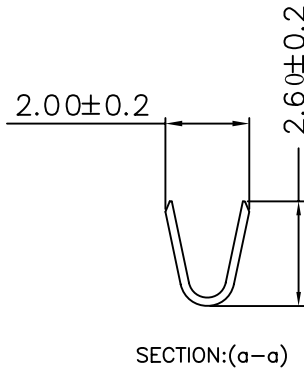
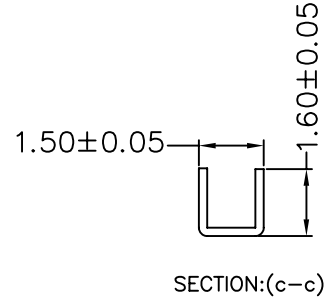
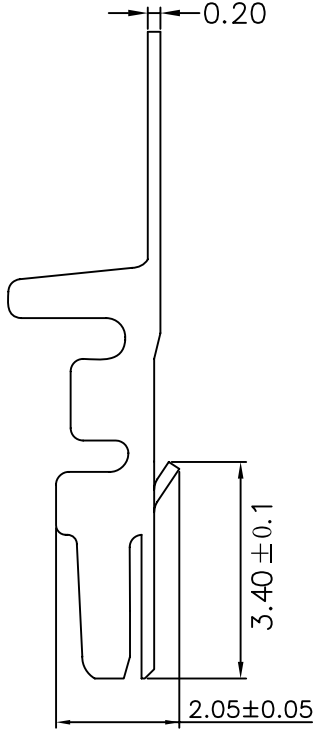
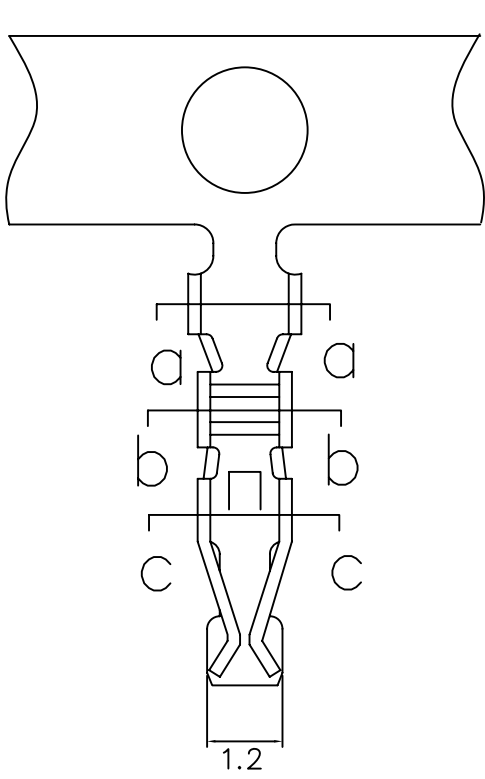


| | | | | |
|------|---------|-------------|----------|--------|
| REV. | ECN NO. | DESCRIPTION | DATE | DESIGN |
| A | | 变更料号 | 16/11/22 | 苏亮 |



CNJM Joint More Precision electronics Co.,Ltd.

| Part NO. | Wire range | Insulation O.D. | Materials | Finish | Qty/reel |
|-----------|------------|-----------------|-----------------|------------|----------|
| A2006-TP | AWG#22-28 | 1.5mm(max) | Phosphor Bronze | Tin-plated | 10000PCS |
| A2006-TPE | AWG#22-28 | 1.5mm(max) | Phosphor Bronze | Tin-plated | 10000PCS |

| DIM | TOL | DIM | TOL |
|-------|-------------|--------|-----|
| X. | / | X° | / |
| X.X | 0.25 | X.X° | |
| X.XX | 0.15 | X.XX° | |
| X.XXX | 0.10 | X.XXX° | / |

| | | | | |
|----------|-----|------------|-----------|----------------------|
| DRAW NO. | | DATE | P/N NO: | DRAW NAME: |
| DESIGN: | 陈雪峰 | 2017.06.03 | A2006-XXX | 2.0mm pitch Terminal |
| CHECK: | 杨焯 | | | |
| REVIEW: | | | REV. A/1 | SCALE 1:1 |
| | | | UNIT: mm | SHEET: 1 OF 1 |

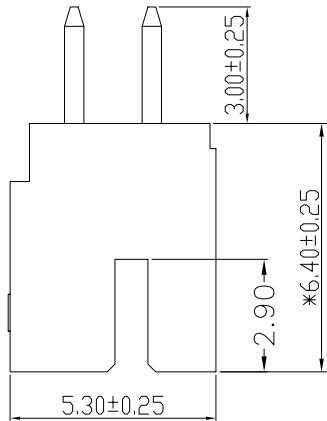
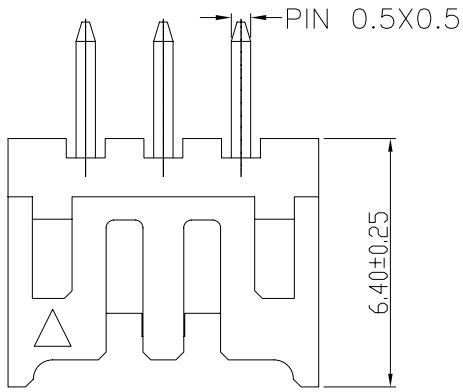
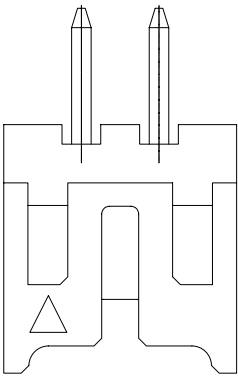
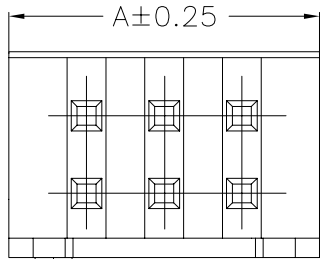
| | | | | |
|------|---------|-------------|----------|--------|
| REV. | ECN NO. | DESCRIPTION | DATE | DESIGN |
| A | | 变更料号 | 17/06/08 | 苏亮 |

SPECIFICATIONS

- 1) Voltage rating:250V AC,DC.
- 2) Current rating:3A AC,DC.
- 3) Withstanding voltage:800V AC/minute.
- 4) Insulation resistance:1,000M Ω min.
- 5) Temperature range:-40°~+105°.
- 6) Contact resistance:Initial value/10m Ω max,after environmental testg /20m Ω max.

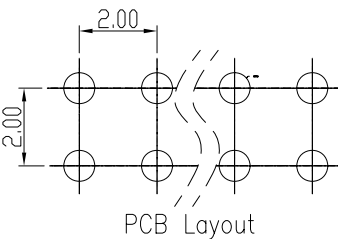
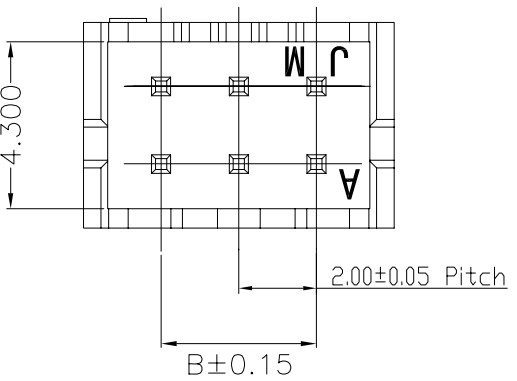
WAFER

- 1) Part No.:A2006WV-2XNP
- 2) Poles:4-40
- 3) Material:Contact:Brass,Tin plated
Base:PA9T UL94v-0
- 4) Qty:1000pcs/bag



| PART NO. | Dimensions | |
|---------------|------------|-------|
| | A | B |
| A2006WV-2X02P | 6.00 | 2.00 |
| A2006WV-2X03P | 8.00 | 4.00 |
| A2006WV-2X04P | 10.00 | 6.00 |
| A2006WV-2X05P | 12.00 | 8.00 |
| A2006WV-2X06P | 14.00 | 10.00 |
| A2006WV-2X07P | 16.00 | 12.00 |
| A2006WV-2X08P | 18.00 | 14.00 |
| A2006WV-2X09P | 20.00 | 16.00 |
| A2006WV-2X10P | 22.00 | 18.00 |
| A2006WV-2X11P | 24.00 | 20.00 |
| A2006WV-2X12P | 26.00 | 22.00 |
| A2006WV-2X13P | 28.00 | 24.00 |
| A2006WV-2X14P | 30.00 | 26.00 |
| A2006WV-2X15P | 32.00 | 28.00 |
| A2006WV-2X16P | 34.00 | 30.00 |
| A2006WV-2X17P | 36.00 | 32.00 |
| A2006WV-2X18P | 38.00 | 34.00 |
| A2006WV-2X19P | 40.00 | 36.00 |
| A2006WV-2X20P | 42.00 | 38.00 |

Recommended P.C.B Layout(Top Side)
P.C.B Thickness = 1.00~1.60mm
(Tolerance= ± 0.05)



CNJM Joint More Precision electronics Co.,Ltd.

| | | | |
|-------------|------------|-----------------|---------------------------|
| DRAW NO. | DATE | P/N NO: | DRAW NAME: |
| DESIGN: 陈雪峰 | 2017.06.03 | A2006WV-2XNP-9T | 2.0mm pitch wafer 9T专用 |
| CHECK: 杨焯 | | | |
| REVIEW: | | REV. A/1 | SCALE 1:1 |
| | | UNIT: mm | SHEET: 1 OF 1 |

| DIM | TOL | DIM | TOL |
|-------|------|--------|-----|
| X. | / | X*. | / |
| X.X | 0.25 | X.X* | |
| X.XX | 0.15 | X.XX* | |
| X.XXX | 0.10 | X.XXX* | / |

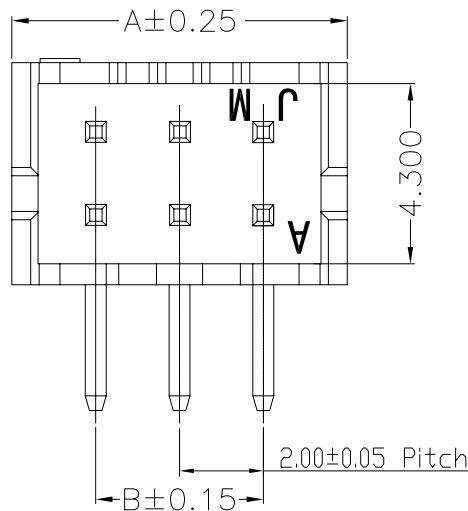
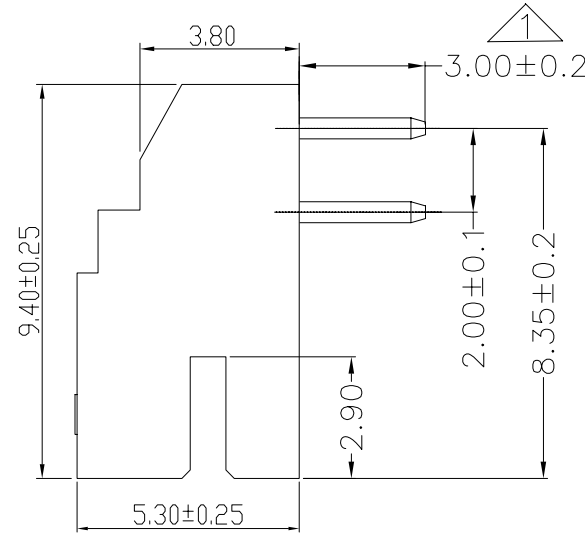
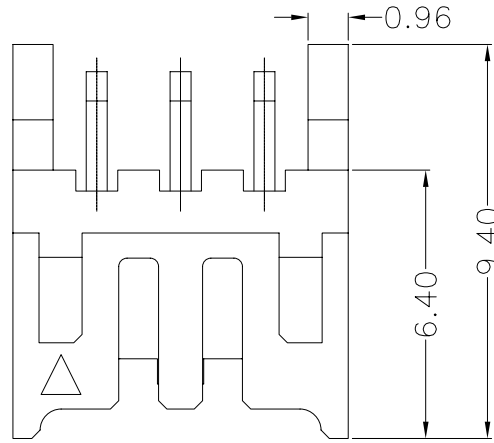
| REV. | ECN NO. | DESCRIPTION | DATE | DESIGN |
|------|---------|-------------|---------|--------|
| A | | 变更料号 | 17/6/8 | 苏亮 |
| | | 增加尺寸 | 17/7/17 | 苏亮 |

SPECIFICATIONS

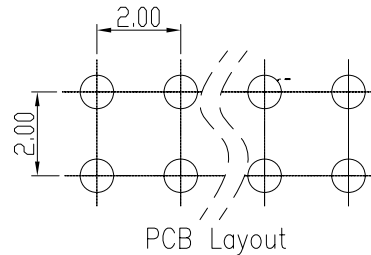
- 1) Voltage rating:250V AC,DC.
- 2) Current rating:3A AC,DC.
- 3) Withstanding voltage:800V AC/minute.
- 4) Insulation resistance:1,000M Ω min.
- 5) Temperature range:-40°~+105°.
- 6) Contact resistance:Initial value/10m Ω max,after environmental testg /20m Ω max.

WAFER

- 1) Part No.:A2006WR-2XNP
- 2) Poles:4-40
- 3) Material:Contact:Brass,Tin plated
Base:PA9T UL94v-0
- 4) Qty:1000pcs/bag



Recommended P.C.B Layout(Top Side)
P.C.B Thickness = 1.00~1.60mm
(Tolerance=±0.05)



| PART NO. | Dimensions | |
|---------------|------------|-------|
| | A | B |
| A2006WR-2X02P | 6.00 | 2.00 |
| A2006WR-2X03P | 8.00 | 4.00 |
| A2006WR-2X04P | 10.00 | 6.00 |
| A2006WR-2X05P | 12.00 | 8.00 |
| A2006WR-2X06P | 14.00 | 10.00 |
| A2006WR-2X07P | 16.00 | 12.00 |
| A2006WR-2X08P | 18.00 | 14.00 |
| A2006WR-2X09P | 20.00 | 16.00 |
| A2006WR-2X10P | 22.00 | 18.00 |
| A2006WR-2X11P | 24.00 | 20.00 |
| A2006WR-2X12P | 26.00 | 22.00 |
| A2006WR-2X13P | 28.00 | 24.00 |
| A2006WR-2X14P | 30.00 | 26.00 |
| A2006WR-2X15P | 32.00 | 28.00 |
| A2006WR-2X16P | 34.00 | 30.00 |
| A2006WR-2X17P | 36.00 | 32.00 |
| A2006WR-2X18P | 38.00 | 34.00 |
| A2006WR-2X19P | 40.00 | 36.00 |
| A2006WR-2X20P | 42.00 | 38.00 |

CNJM Joint More Precision electronics Co.,Ltd.

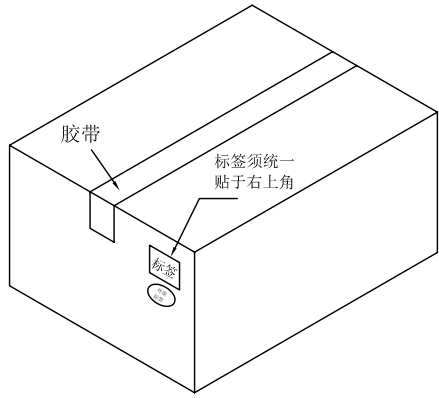
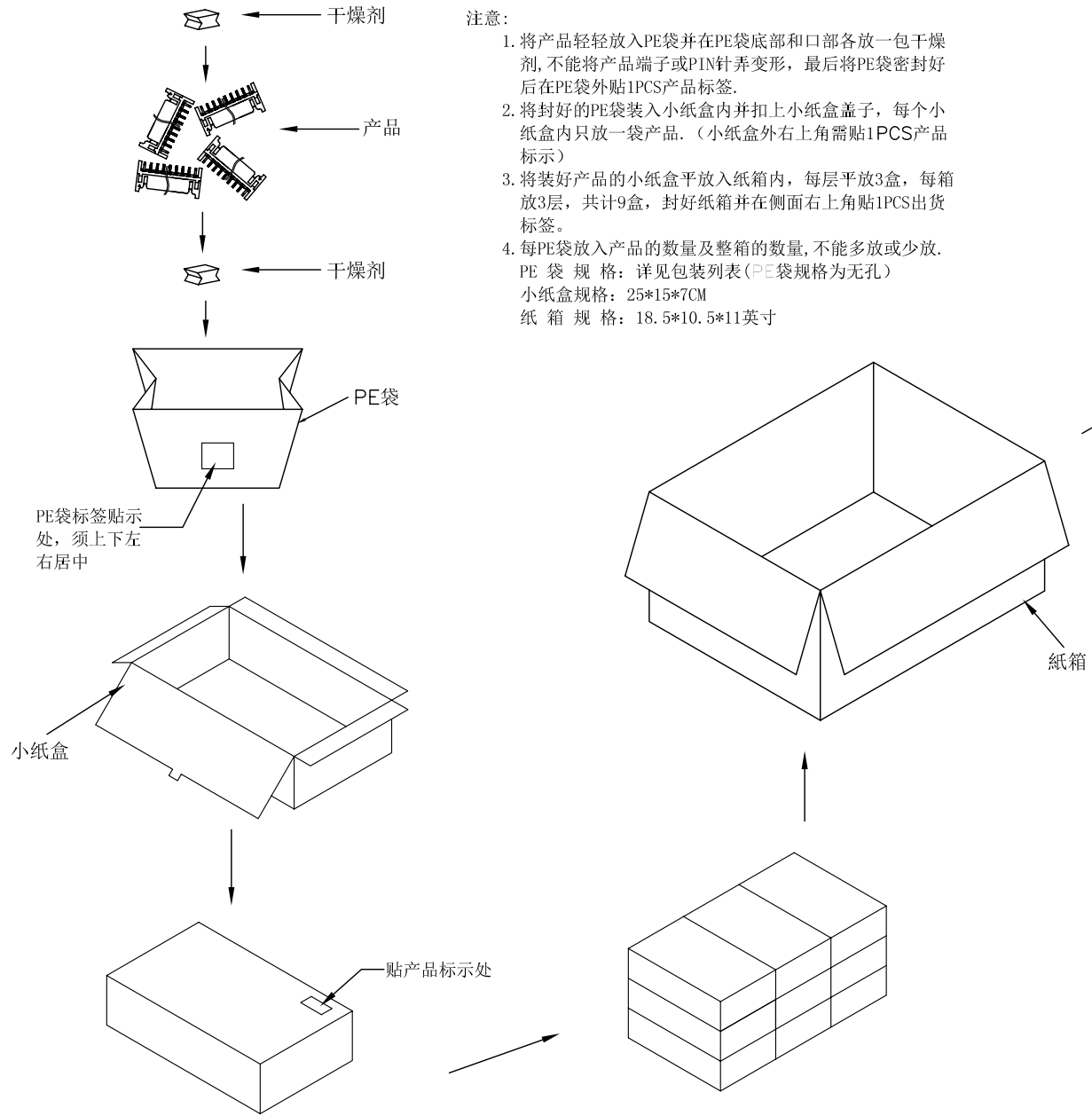
| DRAW NO. | DATE | P/N NO: | DRAW NAME: |
|-------------|------------|--------------------|---------------------------|
| DESIGN: 陈雪峰 | 2017.06.03 | A2006WR-2XNP-9T | 2.0mm pitch wafer 9T专用 |
| CHECK: 杨 焯 | | | |
| REVIEW: | | REV. A/1 SCALE 1:1 | UNIT: mm SHEET 1 OF 1 |

| DIM | TOL | DIM | TOL |
|-------|------|--------|-----|
| X. | / | X°. | / |
| X.X | 0.25 | X.X° | |
| X.XX | 0.15 | X.XX° | |
| X.XXX | 0.10 | X.XXX° | / |

| REV. | ECN NO. | DESCRIPTION | DATE | DESIGN |
|------|---------|-------------|------|--------|
| A | | | | |

注意:

1. 将产品轻轻放入PE袋并在PE袋底部和口部各放一包干燥剂, 不能将产品端子或PIN针弄变形, 最后将PE袋密封好后在PE袋外贴1PCS产品标签。
2. 将封好的PE袋装入小纸盒内并扣上小纸盒盖子, 每个小纸盒内只放一袋产品。(小纸盒外右上角需贴1PCS产品标示)
3. 将装好产品的小纸盒平放入纸箱内, 每层平放3盒, 每箱放3层, 共计9盒, 封好纸箱并在侧面右上角贴1PCS出货标签。
4. 每PE袋放入产品的数量及整箱的数量, 不能多放或少放。
PE袋规格: 详见包装列表(PE袋规格为无孔)
小纸盒规格: 25*15*7CM
纸箱规格: 18.5*10.5*11英寸



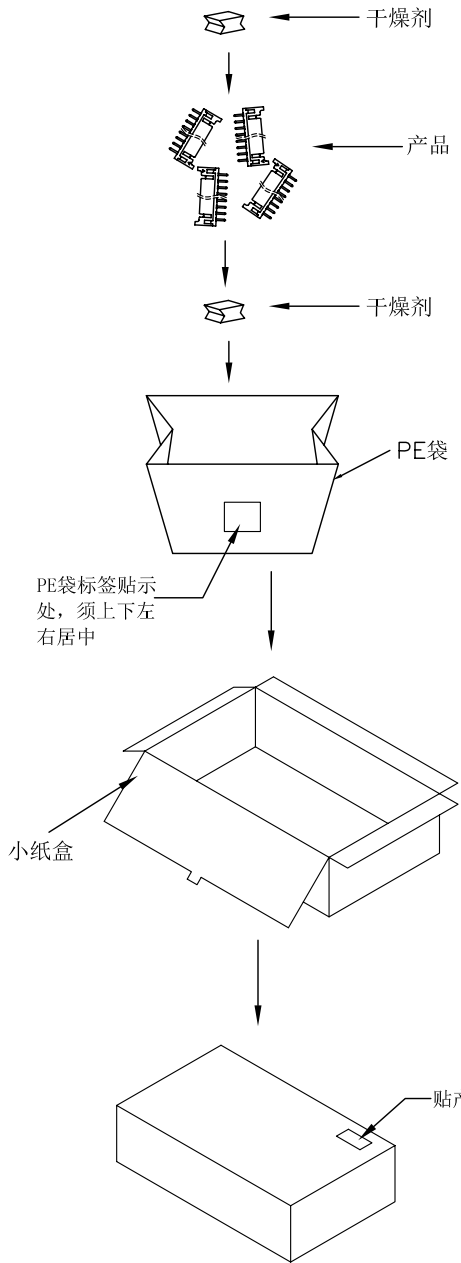
| 产品料号 | PE袋规格 | PE袋包装数量 PCS/袋 | 纸箱包装数量 PCS/箱 |
|---------------|---------|------------------|-----------------|
| A2006WR-2X02P | 18*24cm | 1000 | 9000 |
| A2006WR-2X03P | 18*24cm | 1000 | 9000 |
| A2006WR-2X04P | 18*24cm | 1000 | 9000 |
| A2006WR-2X05P | 21*26cm | 1000 | 4500 |
| A2006WR-2X06P | 18*24cm | 500 | 4500 |
| A2006WR-2X07P | 18*24cm | 500 | 4500 |
| A2006WR-2X08P | 21*26cm | 500 | 4500 |
| A2006WR-2X09P | 21*26cm | 500 | 4500 |
| A2006WR-2X10P | 21*26cm | 500 | 4500 |
| A2006WR-2X11P | 21*26cm | 500 | 4500 |
| A2006WR-2X12P | 21*26cm | 400 | 3600 |
| A2006WR-2X13P | 21*26cm | 400 | 3600 |
| A2006WR-2X14P | 21*26cm | 300 | 2700 |
| A2006WR-2X15P | 21*26cm | 300 | 2700 |
| A2006WR-2X16P | 21*26cm | 200 | 1800 |
| A2006WR-2X17P | 21*26cm | 200 | 1800 |
| A2006WR-2X18P | 21*26cm | 200 | 1350 |
| A2006WR-2X19P | 21*26cm | 150 | 1350 |
| A2006WR-2X20P | 21*26cm | 150 | 1350 |

CNJM Joint More Precision electronics Co.,Ltd.

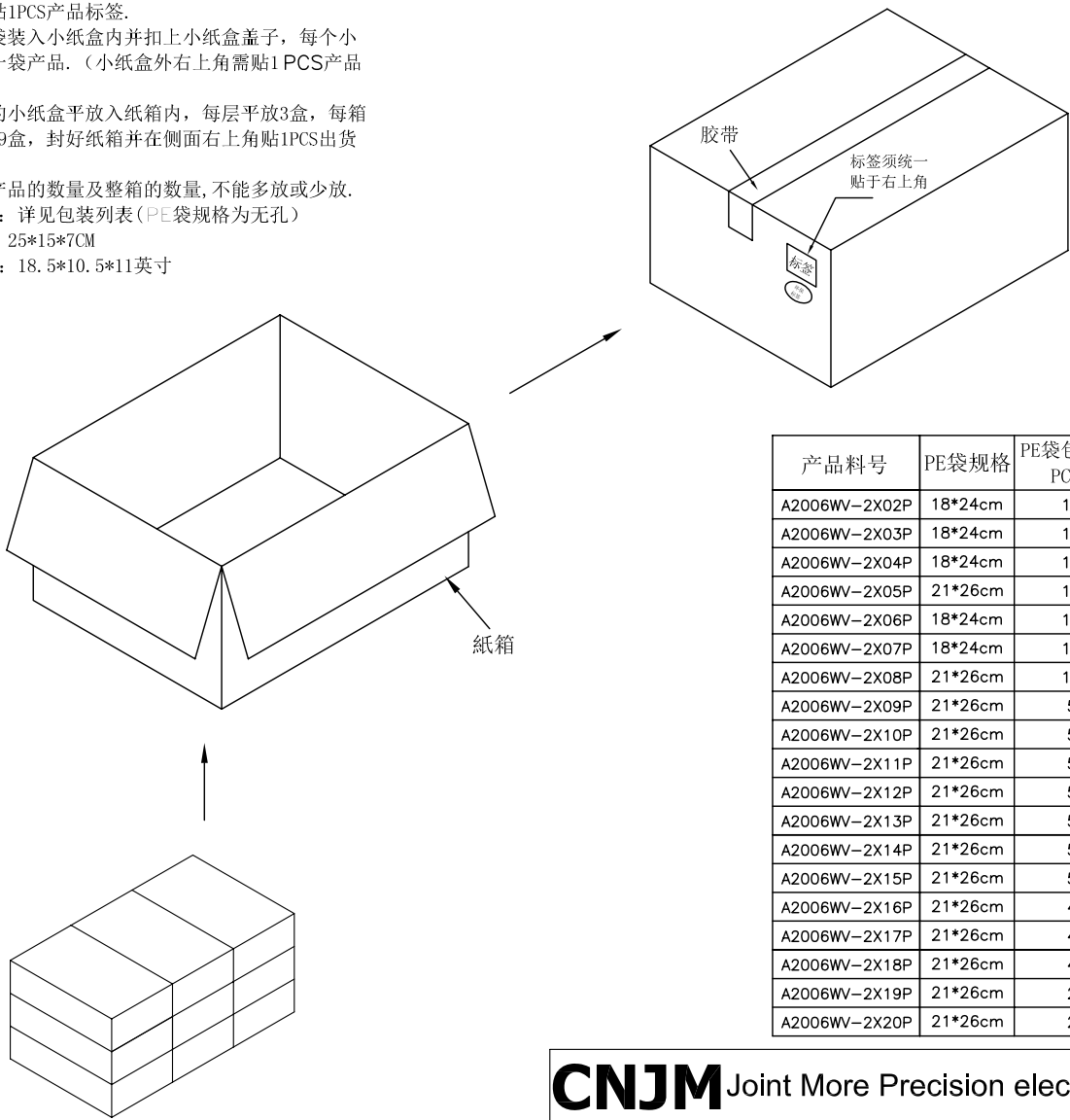
| | | | |
|-------------|----------|----------|------------------------------|
| DRAW NO. | DATE | P/N NO: | DRAW NAME: |
| DESIGN: 陈雪峰 | 2017.2.9 | | PHD2.0 90° Wafer 系列盒装包装规范 |
| CHECK: 杨焯 | | | |
| REVIEW: | | REV. A/1 | SCALE 1:1 |
| | | UNIT: mm | SHEET: 1 of 1 |

| DIM | TOL | DIM | TOL |
|-------|------|--------|-----|
| X. | / | X' | / |
| X.X | 0.25 | X.X' | |
| X.XX | 0.15 | X.XX' | |
| X.XXX | 0.10 | X.XXX' | |

| | | | | |
|------|---------|-------------|------|--------|
| REV. | ECN NO. | DESCRIPTION | DATE | DESIGN |
| A | | | | |



- 注意:
1. 将产品轻轻放入PE袋并在PE袋底部和口部各放一包干燥剂, 不能将产品端子或PIN针弄变形, 最后将PE袋密封好后在PE袋外贴1PCS产品标签.
 2. 将封好的PE袋装入小纸盒内并扣上小纸盒盖子, 每个小纸盒内只放一袋产品. (小纸盒外右上角需贴1PCS产品标示)
 3. 将装好产品的小纸盒平放入纸箱内, 每层平放3盒, 每箱放3层, 共计9盒, 封好纸箱并在侧面右上角贴1PCS出货标签.
 4. 每PE袋放入产品的数量及整箱的数量, 不能多放或少放.
PE袋规格: 详见包装列表(PE袋规格为无孔)
小纸盒规格: 25*15*7CM
纸箱规格: 18.5*10.5*11英寸



| 产品料号 | PE袋规格 | PE袋包装数量 PCS/袋 | 纸箱包装数量 PCS/箱 |
|---------------|---------|------------------|-----------------|
| A2006WV-2X02P | 18*24cm | 1000 | 9000 |
| A2006WV-2X03P | 18*24cm | 1000 | 9000 |
| A2006WV-2X04P | 18*24cm | 1000 | 9000 |
| A2006WV-2X05P | 21*26cm | 1000 | 9000 |
| A2006WV-2X06P | 18*24cm | 1000 | 9000 |
| A2006WV-2X07P | 18*24cm | 1000 | 9000 |
| A2006WV-2X08P | 21*26cm | 1000 | 9000 |
| A2006WV-2X09P | 21*26cm | 500 | 4500 |
| A2006WV-2X10P | 21*26cm | 500 | 4500 |
| A2006WV-2X11P | 21*26cm | 500 | 4500 |
| A2006WV-2X12P | 21*26cm | 500 | 4500 |
| A2006WV-2X13P | 21*26cm | 500 | 4500 |
| A2006WV-2X14P | 21*26cm | 500 | 4500 |
| A2006WV-2X15P | 21*26cm | 500 | 4500 |
| A2006WV-2X16P | 21*26cm | 400 | 3600 |
| A2006WV-2X17P | 21*26cm | 400 | 3600 |
| A2006WV-2X18P | 21*26cm | 400 | 3600 |
| A2006WV-2X19P | 21*26cm | 200 | 1800 |
| A2006WV-2X20P | 21*26cm | 200 | 1800 |

CNJM Joint More Precision electronics Co.,Ltd.

| | | | |
|-------|------|--------|-----|
| DIM | TOL | DIM | TOL |
| X. | / | X'. | / |
| X.X | 0.25 | X.X' | / |
| X.XX | 0.15 | X.XX' | / |
| X.XXX | 0.10 | X.XXX' | / |

| | | | |
|-------------|------------|----------|-------------------------------|
| DRAW NO. | DATE | P/N NO: | DRAW NAME: |
| DESIGN: 陈雪峰 | 2017.06.03 | | PHD2.0 180° Wafer 系列盒装包装规范 |
| CHECK: 杨焯 | | REV. A | SCALE 1:1 |
| REVIEW: | | UNIT: mm | SHEET: 1 of 1 |

X-ON Electronics

Largest Supplier of Electrical and Electronic Components

Click to view similar products for [Headers & Wire Housings](#) category:

Click to view products by [CNJM](#) manufacturer:

Other Similar products are found below :

[57102-F02-18ULF](#) [58102-G61-06LF](#) [0009485154](#) [009176003701906](#) [0050291907](#) [02.125.8002.8](#) [609-3404](#) [61062-3](#) [622-0430](#) [622-3653LF](#)
[63453-116](#) [636-1030](#) [636-1427](#) [636-3427](#) [636-4007](#) [641938-9](#) [644827-2](#) [65495-038](#) [65692-001LF](#) [65781-018](#) [65781-047](#) [65817-010LF](#)
[65817-015LF](#) [66207-023LF](#) [67016-026LF](#) [67095-007LF](#) [68631-112](#) [68645-018](#) [68648-049](#) [699319-000](#) [70.362.1628.0](#) [70-4210](#) [70-4226B](#)
[70-4853B](#) [707-5020](#) [707-5028](#) [71.350.2428.0](#) [71961-016LF](#) [733-134](#) [754199-000](#) [760-3052](#) [787-8014-00](#) [FCN-367T-T012/H](#) [80.063.4001.1](#)
[800-90-001-10-001000](#) [800-90-010-10-002000](#) [801-43-002-10-013000](#) [801-43-006-10-002000](#) [803-41-018-10-001000](#) [803-43-014-20-](#)
[001000](#)