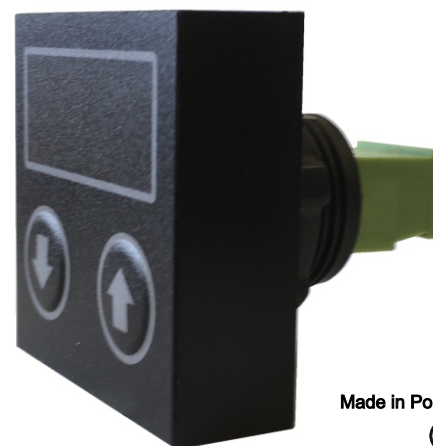


# DIGITAL INDICATORS CM22 SERIES



Made in Poland



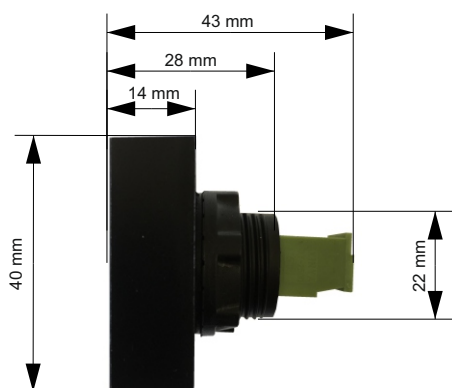
## Features

- Small dimensions
- Easy installation, opening  $\varnothing$  22,5mm
- Ingress protection IP65
- Programmable range of indications, position of decimal point, minus sign
- Programmable thresholds of indications pulsation
- Programmable measurement
- High range accuracy of indications

## Technical data

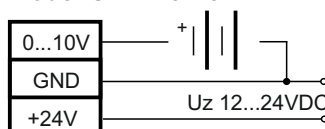
Model	CM22-0-10V-DD	CM22-4-20mA-DD
Input signal	0...10V, 2...10V, 0...5V	0...20mA, 4...20mA
Accuracy	0,1%	0,1%
Range of indications	-999...9999	
Supply voltage / power consumption	12...24VDC / 100mA	
Assembly	Opening $\varnothing$ 22,5mm	
Connections	Terminal strip 3x1,5mm <sup>2</sup>	
Operating temperature	-25...60°C	
Ingress protection	IP 65 from front	
Dimensions / weight	40 x 40 x 43 mm / 25 g	

## Dimensions

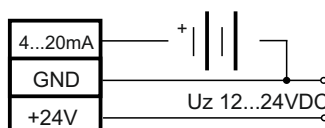


## Connection diagram

model CM22-0-10V-DD



model CM22-4-20mA-DD



## Programmable parameters

- n-00 lower value of indications -999...0...9999 lub 40
- n-01 upper value of indications -999...100...9999 lub 200
- n-02 position of decimal point 0...3
- n-03 minus sign lock 0...1
- n-04 lower threshold of indication pulsation -999...9999
- n-05 upper threshold of indication pulsation -999...9999
- n-06 measurement range : 0 - 0..10V , 1 - 2..10V , 2 - 0..5V  
0 - 0..20mA , 1 - 4..20mA
- n-07 menu access lock 0...1

## Programming description

- Press up/down buttons simultaneously for 2 seconds - n-00 parameter will be shown on the display
- select parameter from n-00 to n-07 using up/down buttons
- press up/down buttons simultaneously for 2 seconds once again - value of the parameter will be shown on the display
- make changes using up/down buttons
- press buttons up/down simultaneously for 0.5 seconds - exit from parameter and settings saving
- press buttons up/down simultaneously for 0.5 seconds once again - exit from settings menu
- Menu entry unlocking - press up/down button for 2 seconds simultaneously after the power is switched on

## X-ON Electronics

Largest Supplier of Electrical and Electronic Components

*Click to view similar products for [LED Lighting Mounting Accessories](#) category:*

*Click to view products by [Cobi](#) manufacturer:*

Other Similar products are found below :

[C16142\\_HEKLA-SOCKET-K](#) [3SU1401-1BF20-3AA0](#) [3SU1401-1BF60-3AA0](#) [3SU1900-0BC31-0AA0](#) [3SU1900-0BC31-0NB0](#) [2213118-2](#)  
[3SU1401-2BB20-1AA0](#) [3SU1401-2BB40-1AA0](#) [3SU1401-2BB60-1AA0](#) [3SU1401-2BB60-3AA0](#) [1SFA616921R2131](#) [1SFA616921R2132](#)  
[1SFA616921R2133](#) [1SFA611621R1033](#) [1SFA611621R1091](#) [23110022](#) [23110040](#) [23120022](#) [23130000](#) [68550022](#) [68550040](#) [70290000](#)  
[70290022](#) [70290040](#) [70300022](#) [76620000](#) [76990022](#) [77280022](#) [77980022](#) [77990001](#) [77990002](#) [77990040](#) [83130001](#) [83130040](#) [83150001](#)  
[83150022](#) [83150040](#) [83980001](#) [83980040](#) [83990001](#) [83990022](#) [83990040](#) [84040022](#) [84510002](#) [86050038](#) [86180003](#) [89080002](#) [89080022](#)  
[89140002](#) [89980002](#)