



Industrial potentiometers are currently one of the most cost-efficient and simplest methods to set output frequency of the inverters. All models are compatible with analogue current or voltage input. High IP 65 protection rating at the front for operation in high humidity and high dust level environment.



Single-turn potentiometers, resistive output

Output: resistive
Turns: 1
Operating voltage: 100VDC
Power: 0,25W
Protection rating: IP65
Tolerance: 10%
Characteristics: linear
Operating temperature: -25...70°C
Mounting hole diameter: Ø22.5mm

| Models: | Resistance: |
|------------|-------------|
| CM22-R1K | 1kΩ |
| CM22-R2K | 2kΩ |
| CM22-R5K | 5kΩ |
| CM22-R10K | 10kΩ |
| CM22-R50K | 50kΩ |
| CM22-R100K | 100kΩ |
| CM22-R500K | 500kΩ |



Multi-turn potentiometers, resistive output

Output: resistive
Turns: 14
Operating voltage: 100VDC
Power: 0,75W
Protection rating: IP65
Tolerance: 10%
Characteristics: linear
Operating temperature: -25...70°C
Mounting hole diameter: Ø22.5mm

| Models: | Resistance: |
|---------------|-------------|
| CM22-R1K-MT | 1kΩ |
| CM22-R2K-MT | 2kΩ |
| CM22-R5K-MT | 5kΩ |
| CM22-R10K-MT | 10kΩ |
| CM22-R50K-MT | 50kΩ |
| CM22-R100K-MT | 100kΩ |
| CM22-R500K-MT | 500kΩ |



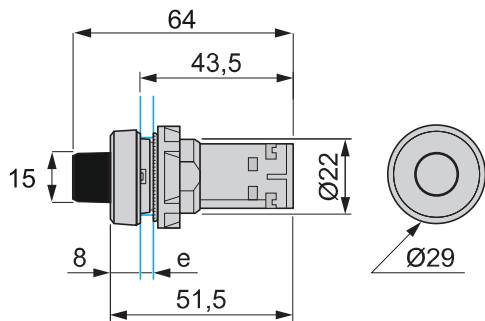
Single-turn potentiometers, current / voltage output

Output: current
Operating voltage: 15...30VDC
Output current: 4...20mA
Protection rating: IP65
Characteristics: linear
Operating temperature: -25...70°C
Mounting hole diameter: Ø22.5mm
Model:
CM22-4-20mA

Output: voltage
Operating voltage: 12...24VDC
Output voltage: 0-10V
Protection rating: IP65
Characteristics: linear
Operating temperature: -25...70°C
Mounting hole diameter: Ø22.5mm
Model:
CM22-0-10V

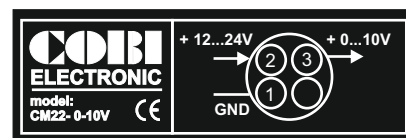
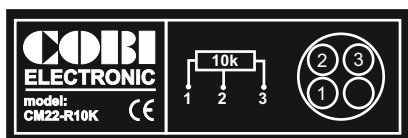


Dimensions:



e: panel thickness 1-6mm

Pins:



X-ON Electronics

Largest Supplier of Electrical and Electronic Components

Click to view similar products for [LED Lighting Mounting Accessories](#) category:

Click to view products by [Cobi](#) manufacturer:

Other Similar products are found below :

[3SU1900-0AC81-0AA0](#) [3SU1900-0AK10-0AA0](#) [3SU1900-0BB31-0AA0](#) [1SFA616921R2142](#) [C1900000](#) [C2910001](#) [E4900001S](#) [E4990001](#)
[F7000101](#) [SLIM8 A/Z WH 1M SET PRM](#) [1-2213678-6](#) [CM22-4-20MA](#) [CM22-R10K-MT](#) [CM22-R1K](#) [CM22-R50K](#) [CM22-R5K-MT](#)
[CM22-SLR](#) [M22-A](#) [M22-CK11](#) [M22-CK20](#) [M22G-XGPV](#) [M22-K01](#) [M22-LCH-W](#) [M22-LC-R](#) [M22-LED230-R](#) [M22-LED230-W](#) [M22-](#)
[LEDC230-G](#) [M22-LEDC-G](#) [M22-LEDC-W](#) [M22-LED-G](#) [M22-LED-W](#) [M22-L-G](#) [M22-LH-G](#) [M22-LH-R](#) [M22-LH-W](#) [M22-L-R](#) [M22-L-W](#)
[M22-L-X](#) [M22-MS](#) [M22-R10K](#) [M22-R1K](#) [M22-R470K](#) [M22-R47K](#) [M22-R4K7](#) [M22S-ST-D10](#) [M22S-ST-D6](#) [M22S-STDD-X](#) [M22S-ST-](#)
[GB0](#) [M22S-ST-GB5](#) [M22S-ST-GB7](#)