

# SIGNAL TRANSMITTER MODEL: ZAD-IP67



Made in Poland  
CE

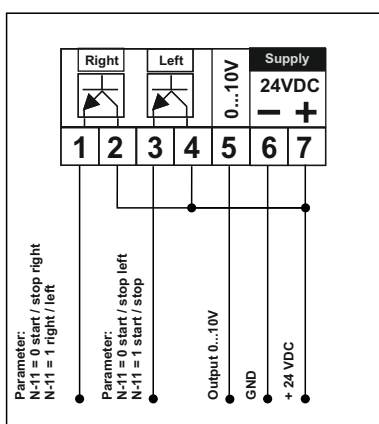
## Features

- works with inverters and BLDC motor controllers
- high aesthetics of workmanship
- high degree of protection IP67
- programmable range of the displayed value, dot position, minus sign lock.
- LED lights for work direction
- programmable output voltage range.
- programmable start value or memory of the last operating value
- two output voltage control modes.
- programmable rise and fall time of the output voltage
- two types of transistor output control
- PNP or NPN controlled transistor outputs
- PG12 cable gland included

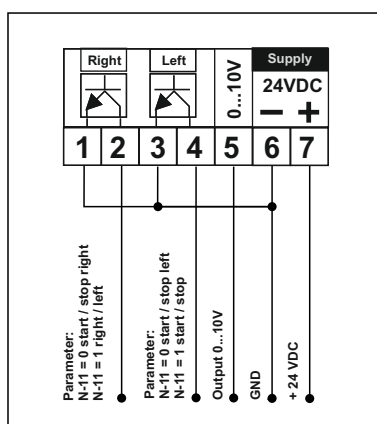
## Technical data

Model	ZAD-IP67
Supply voltage / current consumption	13...27VDC / [ 70mA 24VDC ]
Output voltage / maximum current	0... 11VDC / 25mA
Range displayed	-999...9999
Transistor digital outputs	35V / 50mA
Connections	Terminal strip 7x1,5mm <sup>2</sup>
Operating temperature	-25...60 °C
Ingress protection	IP-67
Cable gland	M12 thread, cable diameter 3..6,5mm <sup>2</sup>

### Positive voltage control



### Negative voltage control



### Programmable parameters

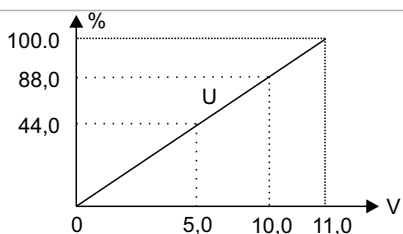
- [ n - 0 ] lower value of indications [-999.....0....9999]
  - [ n - 1 ] upper value of indications [-999...100...9999]
  - [ n - 2 ] position of decimal point [0....3]
  - [ n - 3 ] minus sign lock [0....1]
  - [ n - 4 ] voltage value after turning on the power [n- 0...n- 1]
  - [ n - 5 ] lower value of voltage [0...100.0] %
  - [ n - 6 ] upper value of voltage [0...100.0] %
  - [ n - 7 ] analog output control
    - [ 0 ] the set voltage is on the output terminals
    - [ 1 ] the set voltage will appear on the output terminals after pressing the right / left start button the set voltage will drop to the value of parameter n-4 after pressing the stop button
  - [ n - 8 ] voltage rise time [ 1...100 ] s
  - [ n - 9 ] voltage fall time [ 1...100 ] s
  - [ n - 10 ] set value memory [0] inactive [1] active ,  
if n-10 = 1 then n- 4 will store the set point
  - [ n - 11 ] control of digital outputs
    - [ 0 ] output right = start/stop right , output left = start/stop left
    - [ 1 ] output right = right/left , output left = start/stop
  - [ n - 12 ] menu lock [0] inactive [1] active  
press and hold stop for min. 5 seconds after power on to unlock
- stop button = enter / exit menu , up/down buttons = change value

### Programming description

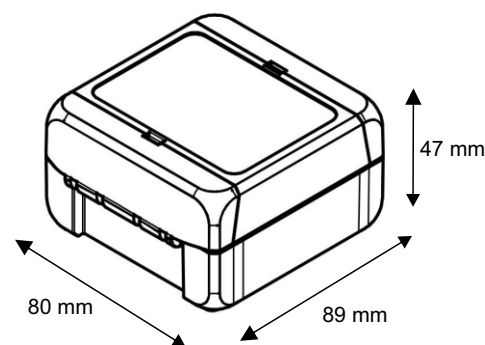
Press the stop button for 2 seconds, the display will show n-0  
Use the up / down buttons to select the parameter in the range n-0...n-13  
Press the stop button again for 2 seconds, the parameter value will appear on the display  
Use the up/down buttons to change the value  
Briefly press the stop button to save the changes  
Briefly press the stop button to exit the menu

### Output voltage range

range	parametr value %	
V	n- 5	n- 6
0-11	0	100,0
0-10	0	88,0
0-5	0	44,0
5-10	44,0	88,0



### Dimensions / weight: 140g



## X-ON Electronics

Largest Supplier of Electrical and Electronic Components

*Click to view similar products for [Temperature Controllers](#) category:*

*Click to view products by [Cobi](#) manufacturer:*

Other Similar products are found below :

[E5C4Q40J999FAC120](#) [E5GNR03PFLKAC100240](#) [E53-Q3](#) [E5DC-RX2DSM-002](#) [E5LD-6C AC100V](#) [E5AN-HPRR2BM-500 AC100-240](#)  
[E5AR-C4B AC100-240](#) [NX-TS2201](#) [E5GC-QX1D6M-015](#) [E5AN-HTAA3BFMD-500AC/DC24](#) [E5GC-QX2ACM-015](#) [NX-TS3102](#) [TR1D-](#)  
[R4CC](#) [TR1D-14CC](#) [TK4W-22RN](#) [TK4N-14RR](#) [TK4S-A4CR](#) [TK4S-A4CC](#) [TK4W-T4RN](#) [TK4H-24CN](#) [TK4S-B4RC](#) [SCL250D-EM010](#)  
[TR1D-14CN](#) [TK4N-24CN](#) [TK4M-A4RC](#) [TR1D-T4CC](#) [AR663.B/P/P/P/WA/RS485](#) [TK4L-24CR](#) [TK4S-B4CR](#) [TK4S-T4RN](#)  
[AR663.B/P/P/S/WA](#) [TK4S-B4CN](#) [TK4W-14RR](#) [TK4S-B4SN](#) [TK4SP-14RR](#) [ZAD-IP67](#) [AR663.B/P/P/P/WU](#) [TK4S-B4CC](#) [SCL13L-EM000](#)  
[E53-R](#) [E53-CN03N2](#) [E5EC-QX4DBM-000](#) [2897952](#) [E5DCQX2DSM-017](#) [E5DCCX2ASM-016](#) [E5DCCX0ASM-015](#) [E5DCQX2DSM-002](#)  
[EJ1N-TC4A](#) [AKT7211100](#) [AR247/1/P/P/P/WA](#)