

# Specification for Approval



Customer: 立创

Customer P/N: \_\_\_\_\_

Product Name: Power Inductors

Coilank P/N: APW12A80 Series

[  New Released,  Revised ]

Approved by	Checked by	Prepared by
	Jean.lin	Bruce.lan

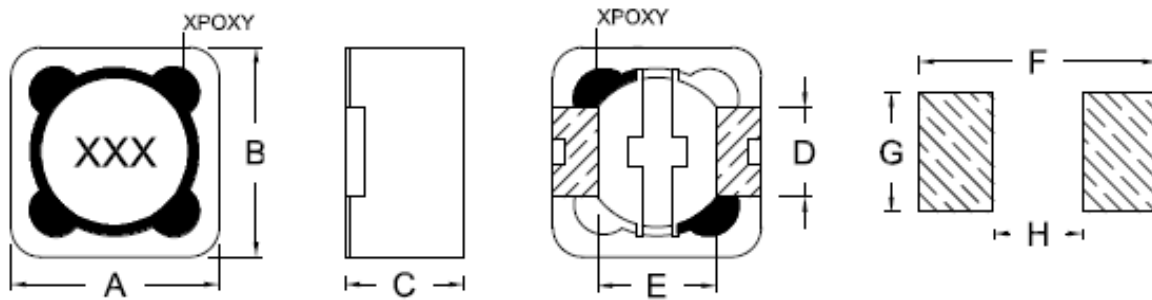
## Coilank Technology Co.,Ltd

ADD: No.39, Chingao Rd.,(305)Hsinpu, Hs inchu Hsien Taiwan, R.O.C  
 TEL : 00886-3-5894523 FAX : 00886-3-5894415  
 ADD: Unit D, 16/F Cheuk Nang Plaze 250 Hennessy Road, Wanchai HongKong  
 TEL : 00852-31135161 FAX : 00852-31121631  
 SZ Office TEL : 0755-29452870/3 FAX : 0755-61658369  
 HTTP : www.coilank.com E-mail : [sales@coilank.com](mailto:sales@coilank.com)

<b>【For Customer approval Only】</b>		Date: _____
Qualification Status:	<input type="checkbox"/> Full	<input type="checkbox"/> Restricted <input type="checkbox"/> Rejected
<b>Approved By</b>	<b>Verified By</b>	<b>Checked By</b>
Comments: _____		



### 1. External Dimensions (Unit:m/m)



TYPE	A	B	C	D	E	F	G	H	Q'TY/Reel
APW12A80	12.5Max	12.5Max	8.0Max	5.0Ref	7.6Ref	12.6Ref	5.4Ref	7.0Ref	500

### 2. Part Number Code

$\frac{APW}{A}$      $\frac{12}{B}$      $\frac{A}{C}$      $\frac{80}{D}$      $\frac{M}{E}$      $\frac{1R5}{F}$

- A: Series Name                      Power Inductors
- B: Dimensions(mm)                12: 12.5x12.5 Max
- C: Materials                         NO use
- D: Thickness(mm)                  80: 8.0 Max
- E: Tolerance                         M:  $\pm 20\%$
- F: Inductance                        1R5=1.5uH

### 3. Electrical Characteristics

Part Number	Inductance (uH)	Test Frequency (KHz)	DC Resistance (mΩ)Max.	Saturation Current (A)Max.
APW12A80M1R5	1.5	100KHz/0.25V	10.0	15.0
APW12A80M2R2	2.2	100KHz/0.25V	11.5	8.0
APW12A80M3R3	3.3	100KHz/0.25V	15.0	7.5
APW12A80M4R7	4.7	100KHz/0.25V	10.45	6.8
APW12A80M6R8	6.8	100KHz/0.25V	24.0	6.0
APW12A80M100	10.0	100KHz/0.25V	30.0	8.0
APW12A80M150	15.0	100KHz/0.25V	27.0	7.5
APW12A80M220	22.0	100KHz/0.25V	43.0	3.6
APW12A80M330	33.0	100KHz/0.25V	68.4	5.0
APW12A80M470	47.0	100KHz/0.25V	85.0	4.3
APW12A80M101	100.0	100KHz/0.25V	150.0	2.8

### Notes:

- 1) AEC-Q200 qualified.
- 2) All test data is referenced to 25°C ambient.
- 3) Operating temperature range -40°C to +125°C.
- 4) Isat: DC current(A) that will cause lo to drop approximately 35%.
- 5) The part temperature(ambient + temp rise)should not exceed 125°C under worst case operating conditions. circuit design,component placement, PWB trace size and thickness,airflow and other cooling provisions all affect the part temperature,part temperature should be verified in the end application.

## 4. Test Data

ELECTRICAL CHARACTERISTIC				MECHANICAL DIMENSIONS				
SPEC	L(uH)	DCR(mΩ)	Isat(uH)	A(mm)	B(mm)	C(mm)	D(mm)	
TOL	1.5	10.0	15.0A	12.5	12.5	8.0	5.0	
NO	±20%	Max	(LOA-L15.0A) /LOA≤35%	Max	Max	Max	Ref	
1	1.53	5.26	1.43	12.01	11.96	7.53	OK	
2	1.52	5.35	1.42	11.93	12.03	7.59	OK	
3	1.49	5.56	1.39	11.96	12.02	7.58	OK	
4	1.53	5.52	1.42	12.03	11.95	7.55	OK	
5	1.56	5.46	1.45	12.02	12.02	7.52	OK	
6	1.49	5.36	1.38	11.95	12.03	7.59	OK	
7	1.48	5.46	1.38	11.95	11.94	7.58	OK	
8	1.52	5.46	1.46	12.01	12.02	7.53	OK	
9	1.47	5.46	1.37	11.99	11.95	7.51	OK	
10	1.52	5.62	1.43	12.03	11.94	7.54	OK	
Test Equipmets: IM3536,VR126,VR7210,Calipers								

## 5. Test and Measurement Procedures

### 5.1 Test Conditions

5.1.1 Unless otherwise specified, the standard atmospheric conditions for measurement/test as:

- a. Ambient Temperature: 20±15°C
- b. Relative Humidity: 65%±20%
- c. Air Pressure: 86KPa to 106KPa

5.1.2 If any doubt on the results, measurements/tests should be made within the following limits:

- a. Ambient Temperature: 20±2°C
- b. Relative Humidity: 65%±5%
- c. Air Pressure: 86KPa to 106Kpa

### 5.2 Visual Examination

- a. Inspection Equipment: 10X magnifier

### 5.3 Electrical Test

#### 5.3.1 Inductance (L)

- a. Refer to the third item.
- b. Test equipment: IM3536 LCR meter or equivalent.
- c. Test Frequency and Voltage: Refer to the third item.

#### 5.3.2 Direct Current Resistance (DCR)

- a. Refer to the third item.
- b. Test equipment: VR126 or equivalent.

#### 5.3.3 Current

- a. Refer to the third item.
- b. Test equipment (see Fig.5.3.3-1): Electric Power, Electric current meter, Thermometer.
- c. Measurement method (see Fig. 5.3.3-1):
  1. Set test current to be 0 mA.
  2. Measure initial temperature of chip surface.
  3. Gradually increase voltage and measure chip temperature for corresponding current.
- d. Definition of Temperature rise current: DC current that causes the temperature rise ( $\Delta T = 40^{\circ}\text{C}$ ) from  $20^{\circ}\text{C}$  ambient (see Fig. 5.3.3-2).

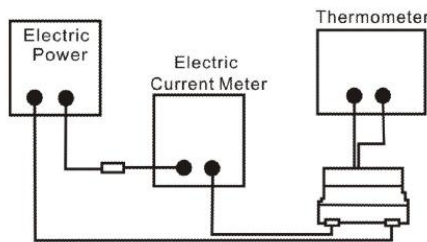


Fig.5.3.3-1

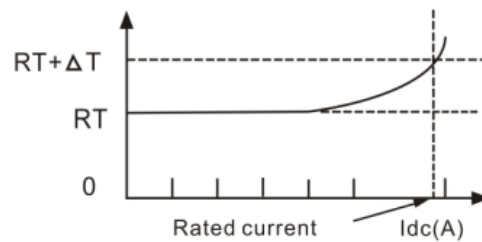
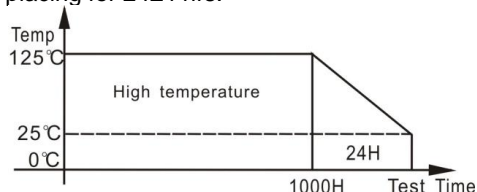
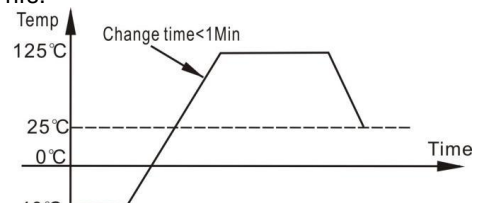
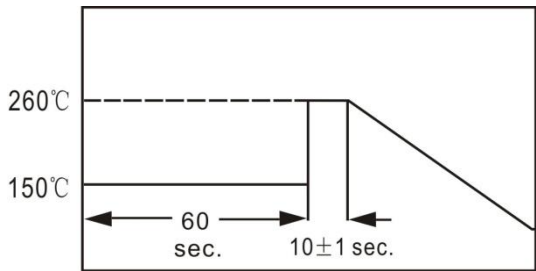
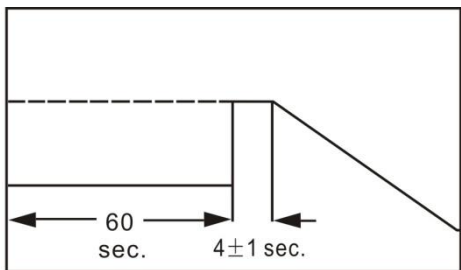


Fig.5.3.3-2

### 5.4 Reliability Test

Item	Specifications	Test conditions
5.4.1 High temperature storage test	No visible mechanical damage. Inductance change: Within $\pm 10\%$ .	Temperature: $125 \pm 2^{\circ}\text{C}$ . Duration: 1000hrs. Measured at room temperature after placing for $24 \pm 4$ hrs. 
5.4.2 Temperature cycling test	No visible mechanical damage. Inductance change: Within $\pm 10\%$ .	Condition for 1 cycle. Step1: $-40 \pm 2^{\circ}\text{C}$ 30min Min. Step2: $125 \pm 2^{\circ}\text{C}$ , transition time 1min Max. Step3: $125 \pm 2^{\circ}\text{C}$ 30min Min. Step4: Low temp, transition time 1min Max. Number of cycles: 1000. Measured at room temperature after placing for $24 \pm 4$ hrs. 

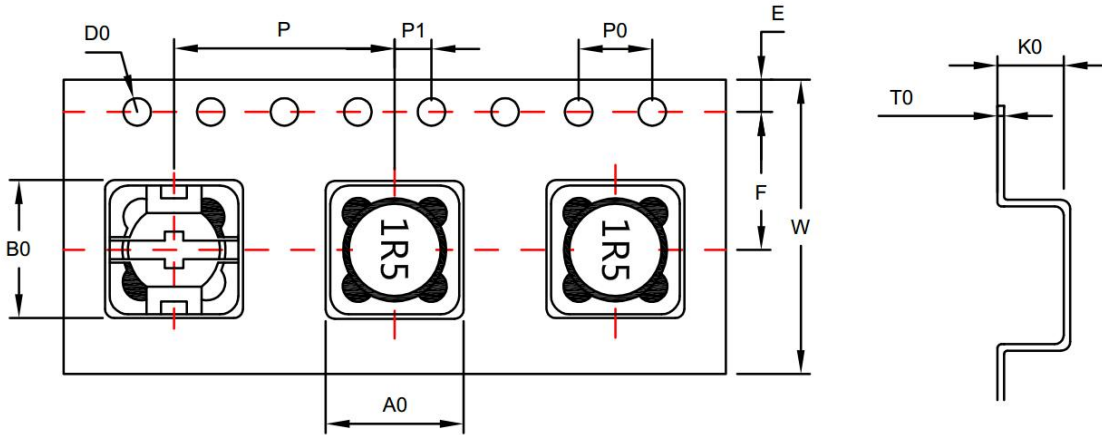
Item	Specifications	Test conditions
5.4.3 Biased humidity test	No visible mechanical damage. Inductance change: Within $\pm 10\%$ .	Humidity :85% $\pm 3$ RH. Temperature: 85°C $\pm 2$ °C. Duration : 1000hrs. Measured at room temperature after placing for 24 $\pm 4$ hrs.
5.4.4 Operational life test	No visible mechanical damage. Inductance change: Within $\pm 10\%$ .	Temperature: 105 $\pm 2$ °C. Duration : 1000hrs. Measured at room temperature after placing for 24 $\pm 4$ hrs.
5.4.5 Resistance to solvent test	No visible mechanical damage. Inductance change: Within $\pm 10\%$ .	Add aqueous wash chemical - OKEM clean or equivalent.
5.4.6 Vibration test	No visible mechanical damage. Inductance change: Within $\pm 10\%$ .	Oscillation Frequency: 10~2K~10Hz for 20 minute. Total Amplitude: 1.52mm $\pm 10\%$ . Testing Time : 12 hours (20 minutes, 12 cycles each of 3 orientations).
5.4.7 Resistance to soldering heat test	No visible mechanical damage. Inductance change: Within $\pm 10\%$ .	Temperature (°C): 260 $\pm 5$ (solder temp). Time (s): 10 $\pm 1$ . ramp/immersion and emersion rate: 25mm/s $\pm 6$ mm/s. Number of heat cycles: 1. 
5.4.8 Solderability test	More than 95% of the terminal electrode should be covered with solder.	Steam Aging: 8 hours $\pm 15$ min. Preheat: 150°C, 60sec. Solder: Sn99.5%-Cu0.5%. Temperature: 245 $\pm 5$ °C. Flux for lead free: Rosin. 9.5%. Dip time: 4 $\pm 1$ sec. Depth: completely cover the termination. 
5.4.9 Terminal strength (SMD) test	No visible mechanical damage.	With the component mounted on a PCB with the device to be tested, apply a 17.7 N (1.8 Kg) force to the side of a device being tested. This force shall be applied for 60 $\pm 1$ seconds. Also the force shall be applied radually as not to apply a shock to the component being tested.

### 6. Packaging, Storage

#### 6.1 Tape and Reel Packaging Dimensions

##### 6.1.1 Taping Dimensions (Unit: mm)

Please refer to Fig. 6.1.1-1



6.1.1-1

TYPE	A0	B0	W	E	F	P0	P	P1	D0	T0	K0
APW12A80	12.7±0.1	12.7±0.1	24.0±0.3	1.75±0.1	11.5±0.1	4.0±0.1	16.0±0.1	2.0±0.1	1.5±0.1	0.4±0.1	8.2±0.1

##### 6.1.2 Reel Dimensions (Unit: mm)

Please refer to Fig. 6.1.2-1.

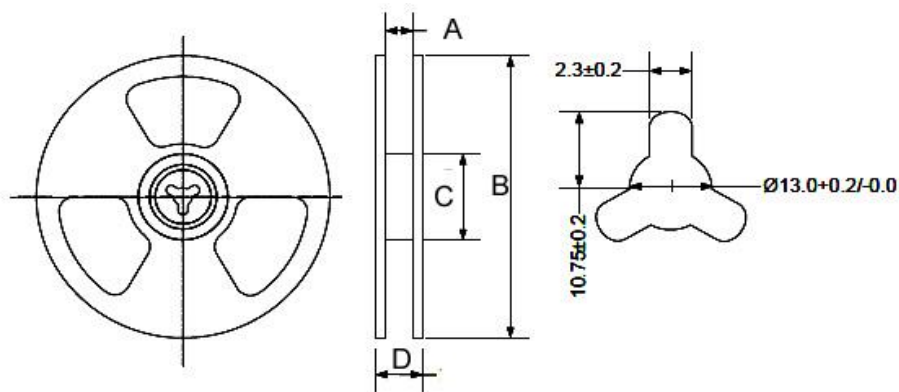


Fig. 6.1.2-1.

TYPE	A	B	C	D
APW12A80	24.5±2.0	330.0±2.0	100.0±2.0	28.5±2.0

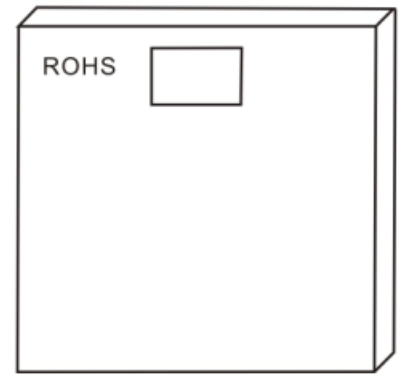
### 6.2 Packaging

6.2.1 The inner box specification: 350\*340\*40MM

Packing quantity: 500PCS/ box

Bubble bag : 37\*45CM

Job description: putting the air bubble bag products placed inside the box, sealed with scotch tape

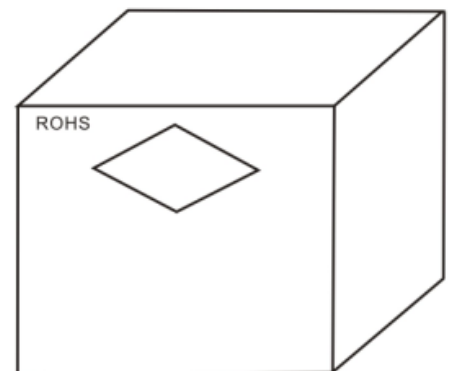


6.2.2 The outside box specification: 370\*360\*165MM

Packing quantity: 1500PCS/ box

Job description: will be outside the box bottom sealed, inner box into the box.

- a. With transparent tape sealed box at the top
- b. The specified location with a box labels in the outer box.
- c. If the mantissa box under a FCL with inner box or filling full



### 6.3 Storage

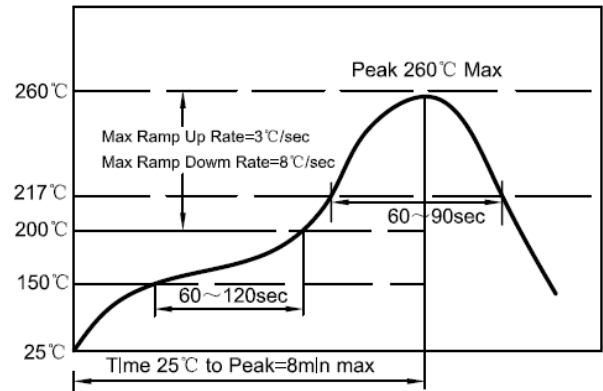
- a. To maintain the solderability of terminal electrodes and to keep the packing material in good condition, temperature and humidity in the storage area should be controlled.
- b. Recommended conditions: -10°C~40°C, 70%RH (Max.)
- c. The ambient temperature must be kept below 30°C. Even under ideal storage conditions, solderability of products electrodes may decrease as time passes. For this reason, product should be used within one year from the time of delivery.
- d. In case of storage over 6 months, solderability shall be checked before actual usage.



### 7. Recommended Soldering Technologies

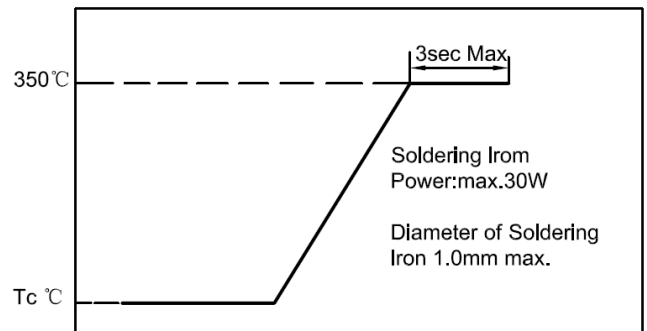
#### 7.1 Re-flowing Profile:

- △ Preheat condition: 150~200°C/60~120sec.
- △ Allowed time above 217°C: 60~90sec.
- △ Max temp: 260°C
- △ Max time at max temp: 5sec.
- △ Solder paste: Sn/3.0Ag/0.5Cu
- △ Allowed Reflow time: 2x max



#### 7.2 Iron Soldering Profile:

- △ Iron soldering power: Max.30W
- △ Pre-heating: 150°C/60sec.
- △ Soldering Tip temperature: 350°C Max.
- △ Soldering time: 3sec Max.
- △ Solder paste: Sn/3.0Ag/0.5Cu
- △ Max.1 times for iron soldering



[Note: Take care not to apply the tip of the soldering iron to the]

## X-ON Electronics

Largest Supplier of Electrical and Electronic Components

*Click to view similar products for [Fixed Inductors](#) category:*

*Click to view products by [COILANK](#) manufacturer:*

Other Similar products are found below :

[CR32NP-151KC](#) [CR32NP-180KC](#) [CR32NP-181KC](#) [CR32NP-1R5MC](#) [CR32NP-390KC](#) [CR32NP-3R9MC](#) [CR32NP-680KC](#) [CR32NP-820KC](#) [CR32NP-8R2MC](#) [CR43NP-390KC](#) [CR43NP-560KC](#) [CR43NP-680KC](#) [CR54NP-181KC](#) [CR54NP-470LC](#) [CR54NP-820KC](#) [CR54NP-8R5MC](#) [70F224AI](#) [MGDQ4-00004-P](#) [MHL1ECTTP18NJ](#) [MHQ1005P10NJ](#) [MHQ1005P1N0S](#) [MHQ1005P2N4S](#) [MHQ1005P3N6S](#) [MHQ1005P5N1S](#) [MHQ1005P8N2J](#) [PE-51506NL](#) [PE-53601NL](#) [PE-53602NL](#) [PE-53630NL](#) [PE-53824SNLT](#) [PE-92100NL](#) [PG0434.801NLT](#) [PG0936.113NLT](#) [9220-20](#) [9310-16](#) [PM06-2N7](#) [PM06-39NJ](#) [A01TK](#) [1206CS-471XJ](#) [HC2LP-R47-R](#) [HC2-R47-R](#) [HC3-2R2-R](#) [HCF1305-3R3-R](#) [1206CS-151XG](#) [RCH664NP-140L](#) [RCH664NP-4R7M](#) [RCH8011NP-221L](#) [RCP1317NP-332L](#) [RCP1317NP-391L](#) [RCR1010NP-470M](#)