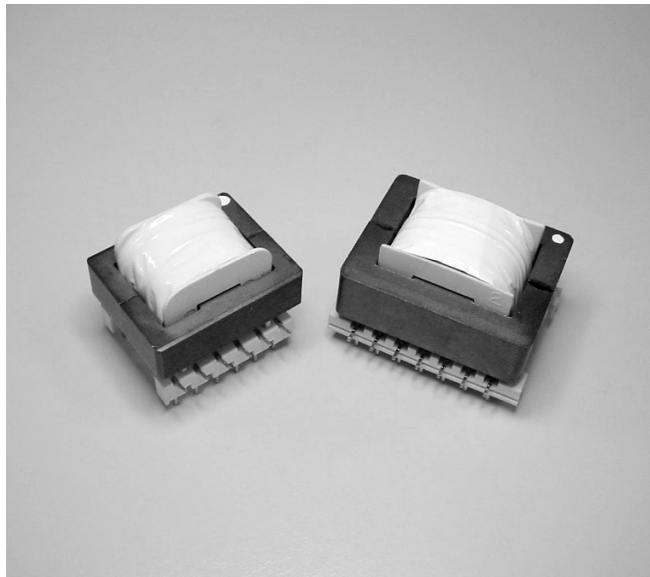




# PFC Coils

For ON Semiconductor NCP1653  
Power Factor Controller



These coils were developed specifically for use with the ON Semiconductor NCP1653 Power Factor Controller (PFC) for driving continuous conduction mode step-up pre-converters.

The C1061-A operates in 150 Watt applications. The C1062-B operates in 300 Watt applications and is specified by ON Semiconductor in application note AND8185/D.

In addition to the standard parts shown, Coilcraft can design custom magnetics with inductance, DCR and current values to meet your specific requirements. For more information, contact Coilcraft.

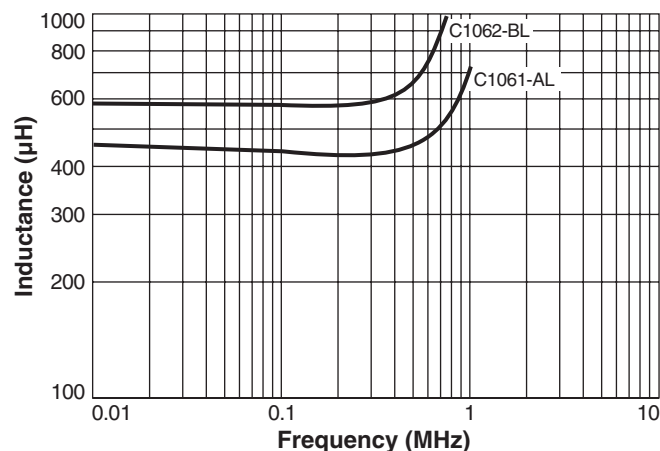
To request free evaluation samples of these coils, contact Coilcraft or visit [www.coilcraft.com](http://www.coilcraft.com).

Part number	Application	Inductance <sup>1</sup> ±10% (µH)	Inductance at I <sub>pk</sub> min (µH)	I <sub>pk</sub> (A)	DCR max <sup>2</sup> (Ohms)	SRF (MHz)	I <sub>rms</sub> <sup>3</sup> (A)
C1061-AL	150 W	450	405	4.5	0.166	1.4	3.80
C1062-BL	300 W	570	540	6.0	0.226	1.0	3.55

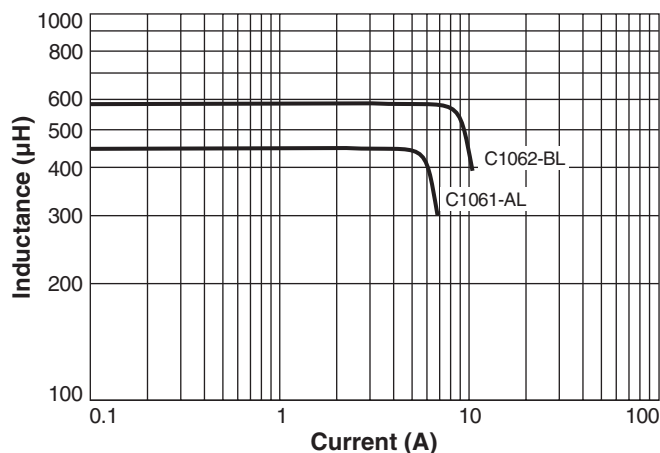
1. Inductance measured at 100 kHz, 0.1 V, 0 Adc using an Agilent/HP 4284A impedance analyzer.
2. DCR measured on Cambridge Technology micro-ohmmeter and Coilcraft CCF858 test fixture.
3. Current that causes a 40°C rise from 25°C ambient.

4. Ambient temperature range: -40°C to +85°C  
Storage temperature range: Component: -40°C to +125°C  
Tape and reel packaging: -40°C to +80°C
5. Electrical specifications at 25°C.

## Typical Inductance vs Frequency



## Typical Inductance vs Current



[www.coilcraft.com](http://www.coilcraft.com)

**US** +1-847-639-6400 [sales@coilcraft.com](mailto:sales@coilcraft.com)  
**UK** +44-1236-730595 [sales@coilcraft-europe.com](mailto:sales@coilcraft-europe.com)  
**Taiwan** +886-2-2264 3646 [sales@coilcraft.com.tw](mailto:sales@coilcraft.com.tw)  
**China** +86-21-6218 8074 [sales@coilcraft.com.cn](mailto:sales@coilcraft.com.cn)  
**Singapore** + 65-6484 8412 [sales@coilcraft.com.sg](mailto:sales@coilcraft.com.sg)

Document 444-1 Revised 12/06/12

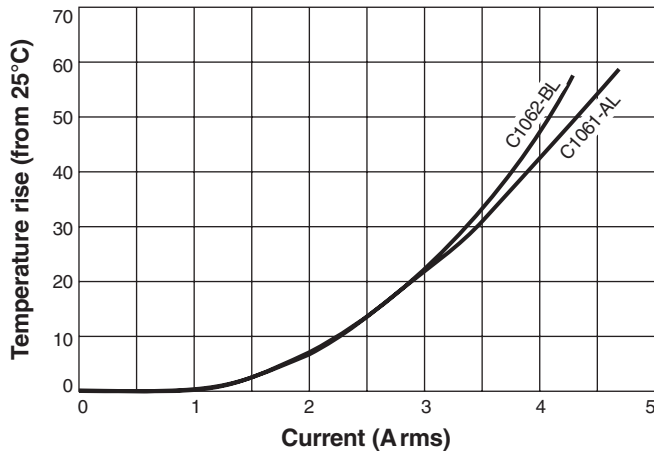
© Coilcraft Inc. 2013

This product may not be used in medical or high risk applications without prior Coilcraft approval. Specification subject to change without notice. Please check web site for latest information.

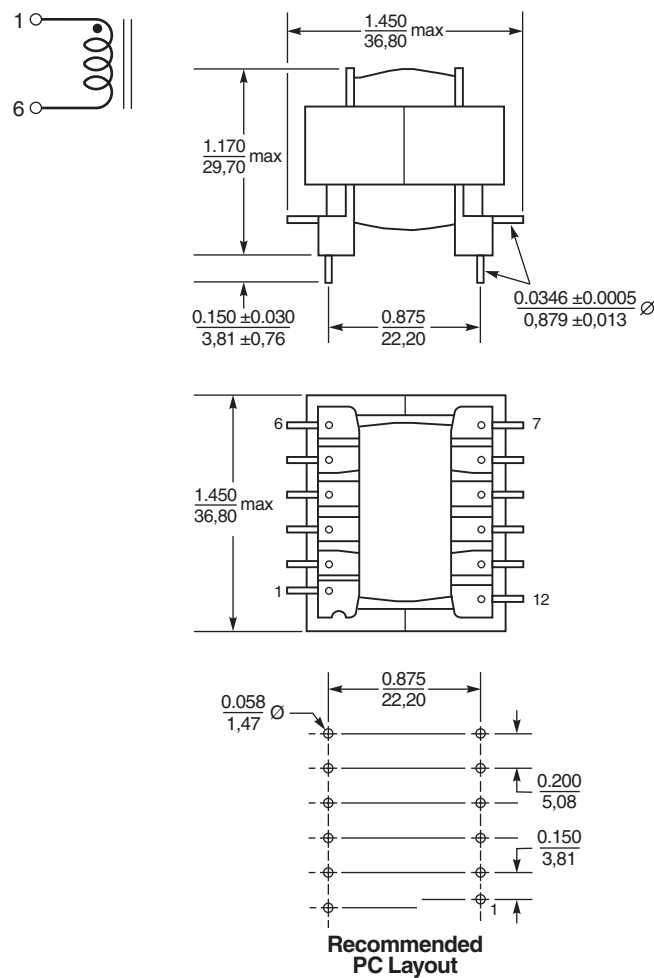


# PFC Coils for ON Semiconductor NCP1653

## Typical Temperature Rise vs Current

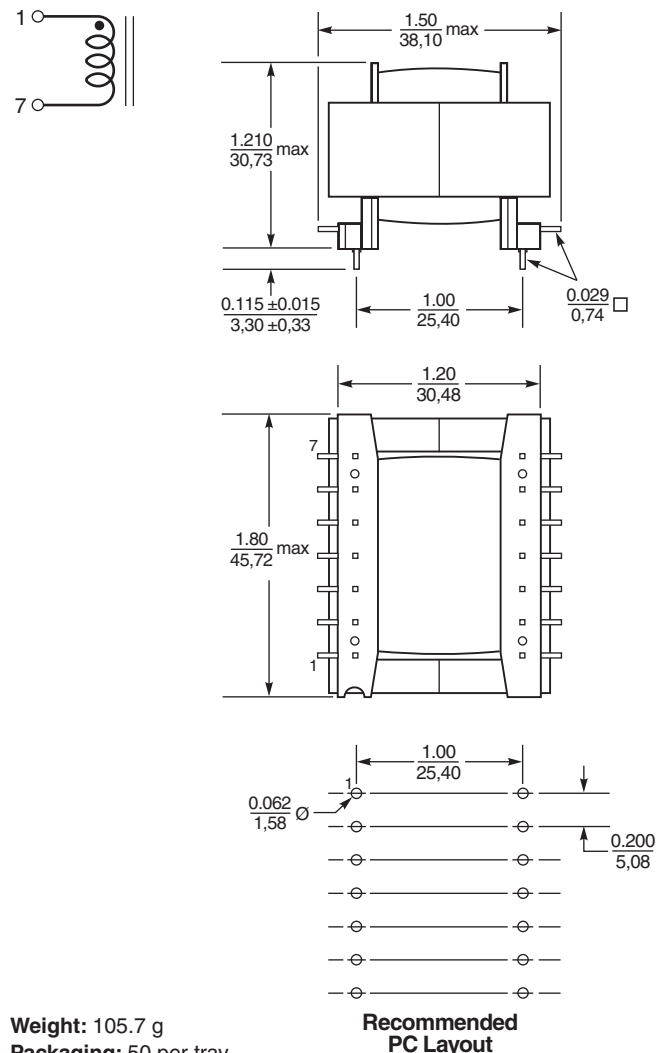


### C1061-AL



**Weight:** 64.5 g  
**Packaging:** 75 per tray

### C1062-BL



**Weight:** 105.7 g  
**Packaging:** 50 per tray



**US** +1-847-639-6400 sales@coilcraft.com  
**UK** +44-1236-730595 sales@coilcraft-europe.com  
**Taiwan** +886-2-2264 3646 sales@coilcraft.com.tw  
**China** +86-21-6218 8074 sales@coilcraft.com.cn  
**Singapore** + 65-6484 8412 sales@coilcraft.com.sg

Document 444-2 Revised 12/06/12  
 © Coilcraft Inc. 2013  
 This product may not be used in medical or high risk applications without prior Coilcraft approval. Specification subject to change without notice. Please check web site for latest information.

## X-ON Electronics

Largest Supplier of Electrical and Electronic Components

*Click to view similar products for [Common Mode Chokes / Filters](#) category:*

*Click to view products by [Coilcraft](#) manufacturer:*

Other Similar products are found below :

[74279408](#) [PE-62911NL](#) [PE-64683](#) [ST6118T-R](#) [T8114NLT](#) [RD5122-10-6M0](#) [TCM0806G-350-2P-T](#) [TCM0806G-650-2P-T](#) [IND-0110](#)  
[UAL21V07012500](#) [UAL21VR0802000](#) [UAL24VR06500CH](#) [UALSC023000000](#) [UALSC1020JH000](#) [UALSC1520JH000](#)  
[UALSU16VD30030](#) [UALSU16VD40010](#) [UALSU9H0305000](#) [UALSU9HF060300](#) [UALSU9VD070100](#) [36-00037](#) [5701610000](#)  
[UALW21HS072450](#) [UALSU9VD070400](#) [UALSU9HF050500](#) [UALSU9H0208000](#) [UALSCF25081300](#) [UAL24VK06450CH](#)  
[PLT10HH501100PNB](#) [PLT10HH401100PNB](#) [PLT10HH1026R0PNB](#) [PE-67531](#) [EXC-X4CH120X](#) [TLH10UB 113 0R5](#) [2752041447](#)  
[2752045447](#) [CMS3-11-R](#) [7351V](#) [CMF16-153131](#) [744252510](#) [T8116NLT](#) [FE2X10-4-2NL](#) [744253200](#) [744253101](#) [744252220](#) [TX8111NLT](#)  
[UAL30VR3500470](#) [CTX01-19077-R](#) [T8003NLT](#) [CTX01-13663](#)