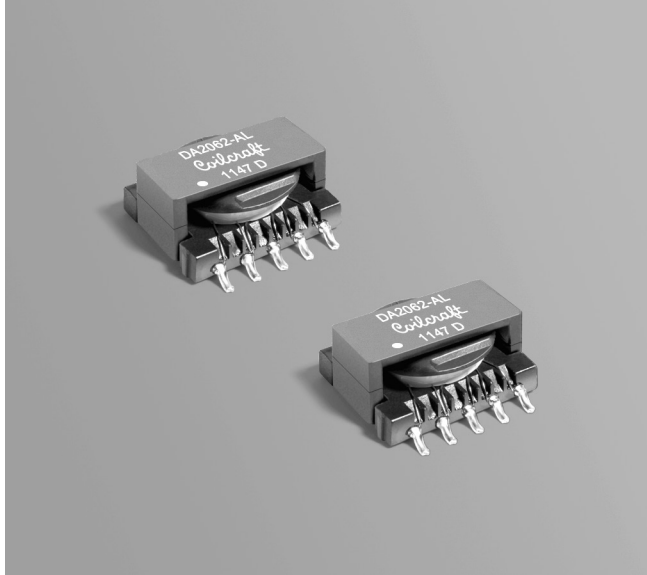


# Flyback Transformer

For DC-DC converters based on  
Power Integrations DPA423G



- Designed in accordance with Power Integrations Engineering Prototype Report EPR-86
- Operates in continuous conduction mode with 36 – 57 V input
- 1500 Vrms isolation between primary and secondary

**Core material** Ferrite

**Terminations** RoHS tin-silver over tin over nickel over phos bronze. Other terminations available at additional cost.

**Weight** 2.4 g

**Ambient temperature** –40°C to +125°C

**Storage temperature** Component: –40°C to +125°C.

Tape and reel packaging: –40°C to +80°C

**Resistance to soldering heat** Max three 40 second reflows at +260°C, parts cooled to room temperature between cycles

**Moisture Sensitivity Level (MSL)** 1 (unlimited floor life at <30°C / 85% relative humidity)

**Packaging** 400 per 13" reel. Plastic tape: 32 mm wide, 0.4 mm thick, 20 mm pocket spacing, 7.6 mm pocket depth

**PCB washing** Tested to MIL-STD-202 Method 215 plus an additional aqueous wash. See [Doc787\\_PCB\\_Washing.pdf](#).

Part number <sup>1</sup>	Inductance at 0 Adc <sup>2</sup> ±10% (µH)	Inductance at Ipk <sup>3</sup> min (µH)	DCR max (Ohms)	Leakage inductance <sup>4</sup> max (µH)	Turns ratios <sup>5</sup>		Ipk <sup>3</sup> (A)	Secondary output
					pri : sec	pri : bias		
DA2062-AL_	120	97	0.475 (pins 3–1) 0.013 (pins 9–6) 0.013 (pins 10–7) 0.181 (pins 4–5)	3.0	1 : 0.1	1 : 0.4	0.64	3.3 V, 2 A

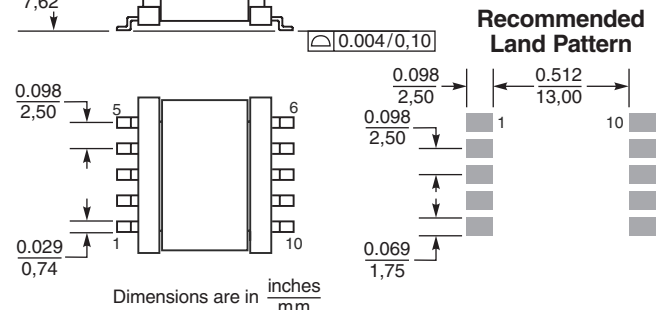
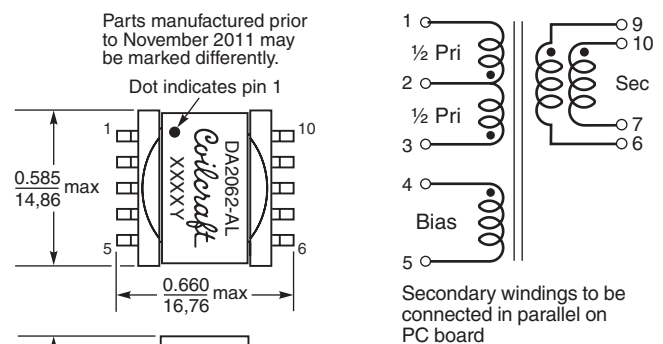
1. When ordering, please specify a **packaging** code:

**DA2062-ALD**

**Packaging: D** = 13" machine ready reel. EIA-481 embossed plastic tape (400 per full reel). Quantities less than full reel available: in tape (not machine ready) or with leader and trailer (\$25 charge).

**B** = Less than full reel. In an effort to simplify our part numbering system, Coilcraft is eliminating the need for multiple packaging codes. When ordering, simply change the last letter of your part number from B to D.

- Inductance is for the primary, measured at 375 kHz, 0.6 Vrms, 0 Adc.
  - Peak primary current drawn at minimum input voltage.
  - Leakage inductance is for the primary and is measured with secondary windings shorted.
  - Turns ratio is with the secondary windings connected in parallel.
  - Output of the secondary is with the windings connected in parallel. Bias winding output is 14 V.
  - Electrical specifications at 25°C.
- Refer to Doc 362 "Soldering Surface Mount Components" before soldering.



## X-ON Electronics

Largest Supplier of Electrical and Electronic Components

*Click to view similar products for [Audio Transformers](#) / [Signal Transformers](#) category:*

*Click to view products by [Coilcraft](#) manufacturer:*

Other Similar products are found below :

[CX2041NLT](#) [MGPWT-00449-P](#) [PE-64961](#) [H1302FNLT](#) [H5008FNL](#) [H5012FNL](#) [H5020FNLT](#) [H5077NLT](#) [H5079NLT](#) [H5084FNLT](#)  
[B78476A9558A003](#) [1812WBT2-4](#) [1879479-1](#) [HX2260FNL](#) [HX5014FNL](#) [EX2024FNL](#) [FL1066](#) [T1137NLT](#) [T3012NL](#) [PE-65812FNL](#) [PE-65848FNLT](#) [H1174FNL](#) [H1302FNL](#) [H5015FNL](#) [H5019EFNL](#) [H5062FNLT](#) [CX2047LNL](#) [MGPWT-00059-P](#) [MGPWT-00266-P](#) [MGPWT-00278-P](#) [MGPWT-00431-P](#) [TTC-100](#) [TTC-143-H](#) [TTC-5032-1](#) [BX1194WNLT](#) [HX1234NLT](#) [HX5008FNLT](#) [HX5019FNL](#) [HX5084NL](#) [3-1879385-5](#) [TX1263NLT](#) [4-1879391-0](#) [T1142NL](#) [HX6101FNL](#) [HX5084FNL](#) [HX1148NL](#) [HX5020FNLT](#) [HX5014FNLT](#) [T1124NL](#)  
[1879732-1](#)