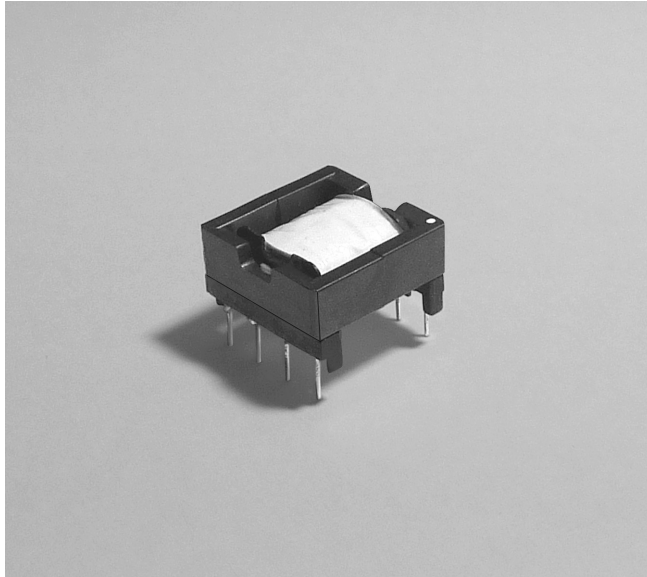


# Flyback Transformer

For Texas Instruments UCC28600  
Flyback Green Mode Controller



- Triple-output flyback transformer
- Designed to operate at 50 kHz with universal ac input
- 3000 Vrms, one minute isolation from primary and bias to secondaries

**Core material** Ferrite

**Terminations** RoHS compliant tin-silver over tin over copper over steel. Other terminations available at additional cost.

**Weight** 9.7 g

**Ambient temperature** -40°C to +85°C

**Storage temperature** Component: -40°C to +85°C.  
Tray packaging: -40°C to +80°C

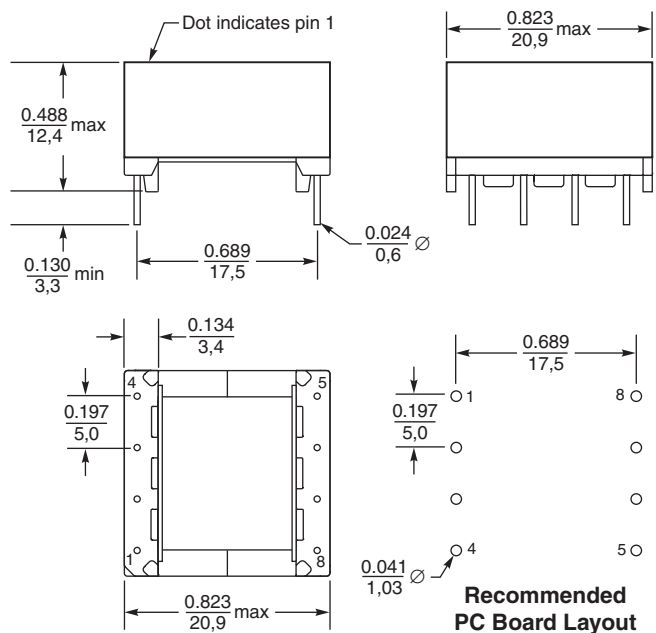
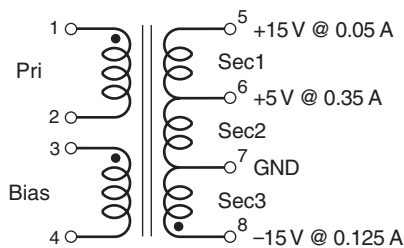
**Moisture Sensitivity Level (MSL)** 1 (unlimited floor life at <30°C / 85% relative humidity)

**Packaging** 100 per tray

**PCB washing** Tested with pure water or alcohol only. For other solvents, see Doc787\_PCB\_Washing.pdf.

Part number	L at 0 A <sup>1</sup> ±10% (mH)	L at Ipk <sup>2</sup> min (mH)	DCR max (Ohms)	Leakage L <sup>3</sup> max (µH)	Turns ratios	Ipk <sup>2</sup> (A)	Outputs
HA4018-AL	2.2	1.7	1.55 (pri) 0.350 (bias) 0.061 (sec 1) 0.305 (sec 2) 0.450 (sec 3)	28.5	6.4 : 1 (pri : bias) 8.2 : 1 (pri : sec 1) 15 : 1 (pri : sec 2) 5.3 : 1 (pri : sec 3)	0.3	+15 V, 0.05 A (sec 1) +5 V, 0.35 A (sec 2) -15V, 0.125 A (sec 3) +12 V, 20 mA (bias)

1. Inductance is for the primary, measured at 50 kHz, 0.1 Vrms, 0 Adc.
2. Ipk is peak primary current drawn at minimum input voltage.
3. Leakage inductance is for the primary winding, measured at 50 kHz, 0.1 Vrms, 0 A with all secondary pins shorted.
4. Electrical specifications at 25°C.



Dimensions are in  $\frac{\text{inches}}{\text{mm}}$



www.coilcraft.com

**US** +1-847-639-6400 sales@coilcraft.com  
**UK** +44-1236-730595 sales@coilcraft-europe.com  
**Taiwan** +886-2-2264 3646 sales@coilcraft.com.tw  
**China** +86-21-6218 8074 sales@coilcraft.com.cn  
**Singapore** + 65-6484 8412 sales@coilcraft.com.sg

Document 724 Revised 11/23/21

© Coilcraft Inc. 2021

This product may not be used in medical or high risk applications without prior Coilcraft approval. Specification subject to change without notice. Please check web site for latest information.

## X-ON Electronics

Largest Supplier of Electrical and Electronic Components

*Click to view similar products for [Audio Transformers](#) / [Signal Transformers](#) category:*

*Click to view products by [Coilcraft](#) manufacturer:*

Other Similar products are found below :

[CX2041NLT](#) [MGPWT-00449-P](#) [PE-64961](#) [H1302FNLT](#) [H5008FNL](#) [H5012FNL](#) [H5020FNLT](#) [H5077NLT](#) [H5079NLT](#) [H5084FNLT](#)  
[B78476A9558A003](#) [1812WBT2-4](#) [1879479-1](#) [HX2260FNL](#) [HX5014FNL](#) [EX2024FNL](#) [FL1066](#) [T1137NLT](#) [T3012NL](#) [PE-65812FNL](#) [PE-65848FNLT](#) [H1174FNL](#) [H1302FNL](#) [H5015FNL](#) [H5019EFNL](#) [H5062FNLT](#) [CX2047LNL](#) [MGPWT-00059-P](#) [MGPWT-00266-P](#) [MGPWT-00278-P](#) [MGPWT-00431-P](#) [TTC-100](#) [TTC-143-H](#) [TTC-5032-1](#) [BX1194WNLT](#) [HX1234NLT](#) [HX5008FNLT](#) [HX5019FNL](#) [HX5084NL](#) [3-1879385-5](#) [TX1263NLT](#) [4-1879391-0](#) [T1142NL](#) [HX6101FNL](#) [HX5084FNL](#) [HX1148NL](#) [HX5020FNLT](#) [HX5014FNLT](#) [T1124NL](#)  
[1879732-1](#)