

Self Leaded Power Inductors – HCT



This low cost toroidal inductor is designed for high current, low voltage applications, particularly the latest generation of low voltage microprocessors.

The toroid core offers compact size with minimal external magnetic fields.

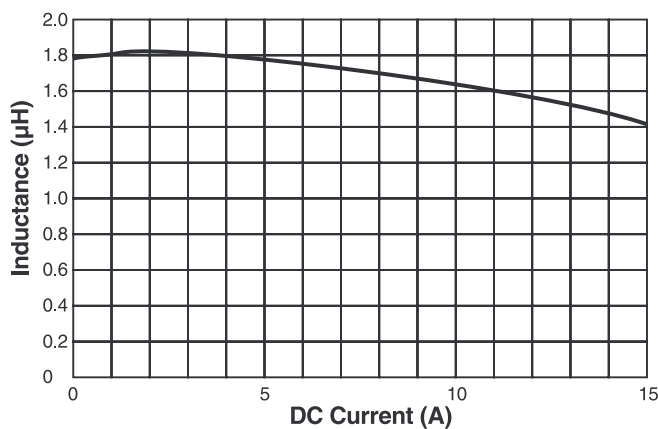
This part can be provided in either vertical or horizontal mounting style. Custom versions can be readily obtained in addition to the standard parts shown

For free evaluation samples, please contact Coilcraft.

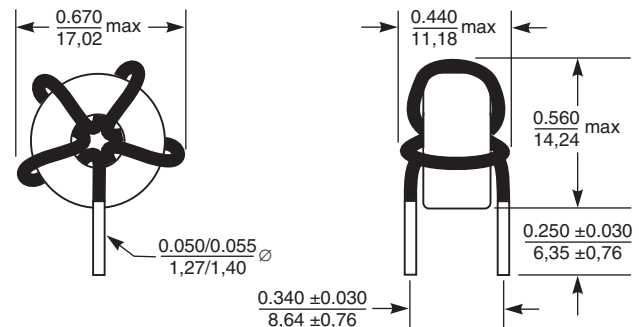
Part number	Mounting style	L at 0A ¹ +20%/–10% (μ H)	L at 15A ¹ min (μ H)	DCR max (Ohms)	I _{rms} ² (A)
HCT-1-152-15L	Vertical	1.875	1.24	0.0021	15
HCT-2-152-15L	Horizontal	1.875	1.24	0.0021	15

1. Inductance tested at 0.1 V_{rms}, 100 kHz.
2. Current that causes a 40°C rise from 25°C ambient.
3. Operating temperature –40°C to +85°C.
4. Specifications at 25°C.

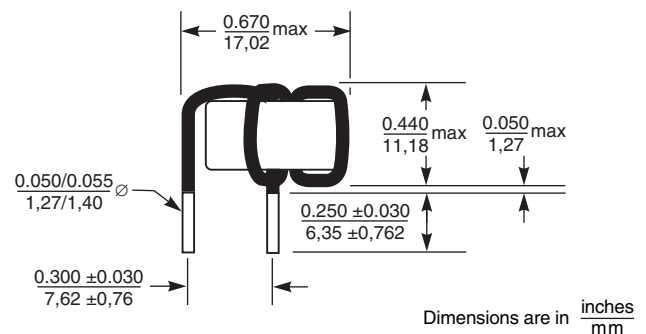
Inductance vs Current



Dimensions - Vertical Style



Dimensions - Horizontal Style



Dimensions are in inches/mm

Weight: 5.95 g
Terminations: Tin-silver over copper

X-ON Electronics

Largest Supplier of Electrical and Electronic Components

Click to view similar products for [Fixed Inductors](#) category:

Click to view products by [Coilcraft](#) manufacturer:

Other Similar products are found below :

[CR43NP-680KC](#) [CR54NP-820KC](#) [CR54NP-8R5MC](#) [CTX32CT-100](#) [70F224AI](#) [MGDQ4-00004-P](#) [MHL1ECTTP18NJ](#) [MHL1JCTTD12NJ](#)
[PE-51506NL](#) [PE-53601NL](#) [PE-53602NL](#) [PE-53630NL](#) [PE-53824SNLT](#) [PE-92100NL](#) [PG0434.801NLT](#) [PG0936.113NLT](#) [9310-16](#) [PM06-2N7](#) [PM06-39NJ](#) [A01TK](#) [1206CS-471XJ](#) [HC2-2R2TR](#) [HC2LP-R47-R](#) [HC3-2R2-R](#) [1206CS-151XG](#) [RCH664NP-140L](#) [RCH664NP-4R7M](#)
[RCH8011NP-221L](#) [RCP1317NP-332L](#) [RCP1317NP-391L](#) [RCR1010NP-470M](#) [RCR110DNP-331L](#) [DH2280-4R7M](#) [DS1608C-106](#) [ASPI-4020HI-R10M-T](#) [B10TJ](#) [B82477P4333M](#) [B82498B3101J000](#) [B82498B3680J000](#) [ELJ-RE27NJF2](#) [1812CS-153XJ](#) [1812CS-183XJ](#) [1812CS-223XJ](#) [1812LS-104XJ](#) [1812LS-105XJ](#) [1812LS-124XJ](#) [1812LS-154XJ](#) [1812LS-223XJ](#) [1812LS-224XJ](#) [1812LS-563XJ](#)