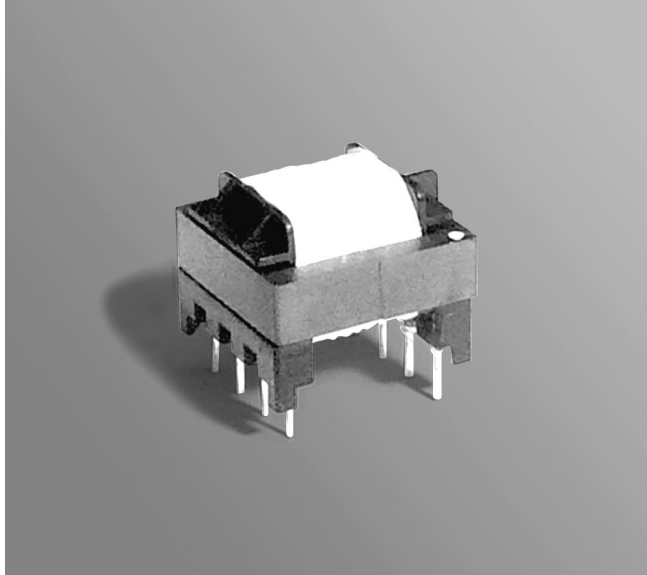


# Flyback Transformer

For Linear Technology LT3799  
Isolated LED Controller



- Developed for Linear Technology for use with their LT3799 Isolated LED Controller with active power factor correction
- Mounted on LT3799 Demo Board
- Universal input; 24 Watt output
- 3000 Vrms, one minute primary to secondary isolation; 500 Vrms, one minute primary to bias isolation

**Core material** Ferrite

**Terminations** RoHS compliant tin-silver over tin over copper. Other terminations available at additional cost.

**Weight** 13.9 g

**Ambient temperature** -40°C to +85°C

**Storage temperature** Component: -40°C to +85°C.

Tray packaging: -40°C to +80°C

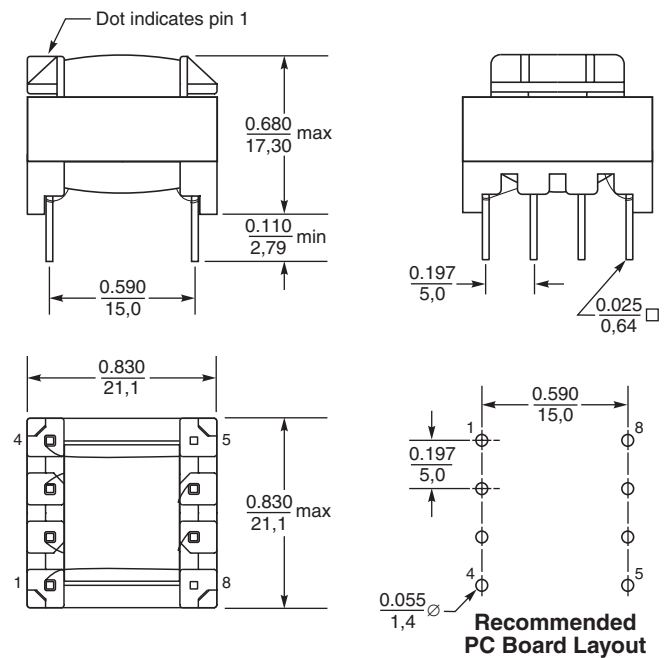
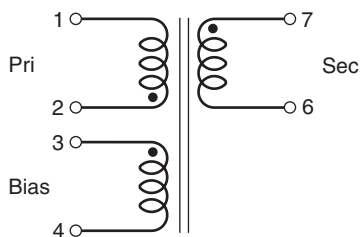
**Moisture Sensitivity Level (MSL)** 1 (unlimited floor life at <30°C / 85% relative humidity)

**Packaging** 100 per tray

**PCB washing** Only pure water or alcohol recommended

Part number	Inductance at 0 A <sup>1</sup> ±10% (µH)	Inductance min at Ipk <sup>2</sup> (µH)	DCR max (Ohms)	Leakage inductance max (µH) <sup>3</sup>	Turns ratio		Ipk <sup>2</sup> (A)	Output <sup>4</sup>
					Pri : Sec	Pri : Bias		
JA4429-AL	400	320	0.252 (Pri) 0.126 (Sec) 0.149 (Bias)	7.5	1:0.24	1:0.24	1.3	24 V, 1.0 A

1. Inductance measured at 100 kHz, 0.1 Vrms, 0 Adc using an Agilent/HP 4263B impedance analyzer or equivalent.
2. Peak primary current drawn at minimum input voltage.
3. Leakage inductance is for the primary and is measured with the secondary shorted.
4. Output is for the secondary. Bias winding output is 24 V, 20 mA.
5. Electrical specifications at 25°C.



Dimensions are in  $\frac{\text{inches}}{\text{mm}}$

## X-ON Electronics

Largest Supplier of Electrical and Electronic Components

*Click to view similar products for [Audio Transformers](#) / [Signal Transformers](#) category:*

*Click to view products by [Coilcraft](#) manufacturer:*

Other Similar products are found below :

[CX2041NLT](#) [MGPWT-00449-P](#) [PE-64961](#) [H1302FNLT](#) [H5008FNL](#) [H5012FNL](#) [H5020FNLT](#) [H5077NLT](#) [H5079NLT](#) [H5084FNLT](#)  
[B78476A9558A003](#) [1812WBT2-4](#) [1879479-1](#) [HX2260FNL](#) [HX5014FNL](#) [EX2024FNL](#) [FL1066](#) [T1137NLT](#) [T3012NL](#) [PE-65812FNL](#) [PE-65848FNLT](#) [H1174FNL](#) [H1302FNL](#) [H5015FNL](#) [H5019EFNL](#) [H5062FNLT](#) [CX2047LNL](#) [MGPWT-00059-P](#) [MGPWT-00266-P](#) [MGPWT-00278-P](#) [MGPWT-00431-P](#) [TTC-100](#) [TTC-143-H](#) [TTC-5032-1](#) [BX1194WNLT](#) [HX1234NLT](#) [HX5008FNLT](#) [HX5019FNL](#) [HX5084NL](#) [3-1879385-5](#) [TX1263NLT](#) [4-1879391-0](#) [T1142NL](#) [HX6101FNL](#) [HX5084FNL](#) [HX1148NL](#) [HX5020FNLT](#) [HX5014FNLT](#) [T1124NL](#)  
[1879732-1](#)