

Power Choke – L0451-AL

For ON Semiconductor
MC33163 & MC34163



The L0451-AL is specified by ON Semiconductor for use with their MC33163 and MC34163 power switching regulators. This choke features a 10% inductance tolerance and 100 Vrms isolation from winding to core.

Request free evaluation samples by contacting Coilcraft or visiting www.coilcraft.com.

Core material Ferrite

Terminations RoHS tin-silver over copper

Weight 49 g

Ambient temperature –40°C to +85°C

Storage temperature Component: –40°C to +85°C.

Tray packaging: –40°C to +80°C

Moisture Sensitivity Level (MSL) 1 (unlimited floor life at <30°C / 85% relative humidity)

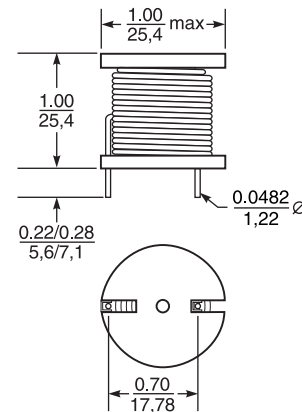
Packaging 49 parts per tray

PCB washing Tested with pure water or alcohol only. For other solvents, see Doc787_PCB_Washing.pdf

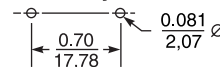
Part number	Inductance $\pm 10\%$ ¹ (μH)	DCR max (Ohms)	SRF typ ² (MHz)	Isat ³ (A)	Irms ⁴ (A)
L0451-AL	180	0.052	3.2	14	7

- Inductance measured at 1 kHz, 0.1 Vrms, 0 Adc using an Agilent/HP 4192A impedance analyzer.
- SRF measured on an Agilent/HP 8753D network analyzer.
- DC current at which the inductance drops 10% (typ) from its value without current.
- Current that causes a 40°C rise from 25°C ambient.
- Electrical specifications at 25°C.

Refer to Doc 362 "Soldering Surface Mount Components" before soldering.



Recommended Board Layout



Dimensions are in $\frac{\text{inches}}{\text{mm}}$

X-ON Electronics

Largest Supplier of Electrical and Electronic Components

Click to view similar products for [Fixed Inductors](#) category:

Click to view products by [Coilcraft](#) manufacturer:

Other Similar products are found below :

[CR43NP-680KC](#) [CR54NP-820KC](#) [CR54NP-8R5MC](#) [CTX32CT-100](#) [70F224AI](#) [MGDQ4-00004-P](#) [MHL1ECTTP18NJ](#) [MHL1JCTTD12NJ](#)
[PE-51506NL](#) [PE-53601NL](#) [PE-53602NL](#) [PE-53630NL](#) [PE-53824SNLT](#) [PE-92100NL](#) [PG0434.801NLT](#) [PG0936.113NLT](#) [9310-16](#) [PM06-2N7](#) [PM06-39NJ](#) [A01TK](#) [1206CS-471XJ](#) [HC2-2R2TR](#) [HC2LP-R47-R](#) [HC3-2R2-R](#) [1206CS-151XG](#) [RCH664NP-140L](#) [RCH664NP-4R7M](#)
[RCH8011NP-221L](#) [RCP1317NP-332L](#) [RCP1317NP-391L](#) [RCR1010NP-470M](#) [RCR110DNP-331L](#) [DH2280-4R7M](#) [DS1608C-106](#) [ASPI-4020HI-R10M-T](#) [B10TJ](#) [B82477P4333M](#) [B82498B3101J000](#) [B82498B3680J000](#) [ELJ-RE27NJF2](#) [1812CS-153XJ](#) [1812CS-183XJ](#) [1812CS-223XJ](#) [1812LS-104XJ](#) [1812LS-105XJ](#) [1812LS-124XJ](#) [1812LS-154XJ](#) [1812LS-223XJ](#) [1812LS-224XJ](#) [1812LS-563XJ](#)