

Power Chokes – Vertical Mount

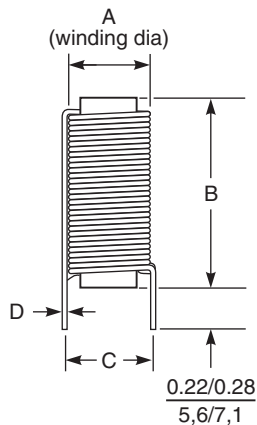


The Coilcraft PCV power chokes are low cost power inductors whose simple design provides rugged reliability and performance. They feature 130°C class insulation and are available in a wide range of standard values.

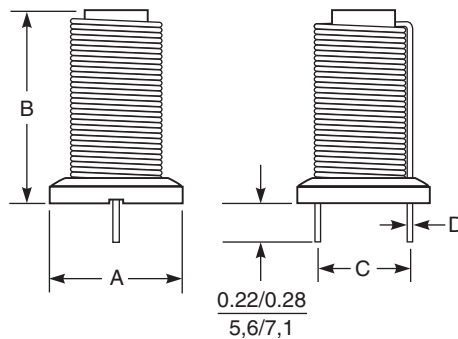
The open core construction provides the highest saturation current available in a low cost power choke. These parts use a ferrite bobbin core to provide the highest possible inductance at the lowest cost. The PCV-1 Series incorporates a plastic mounting header for maximum lead protection and consistency.

Coilcraft **Designer's Kit P405** contains samples of the part numbers shown in bold from the PCV-0 and PCV-2 series. Contact Coilcraft or visit <http://order.coilcraft.com> to purchase on-line.

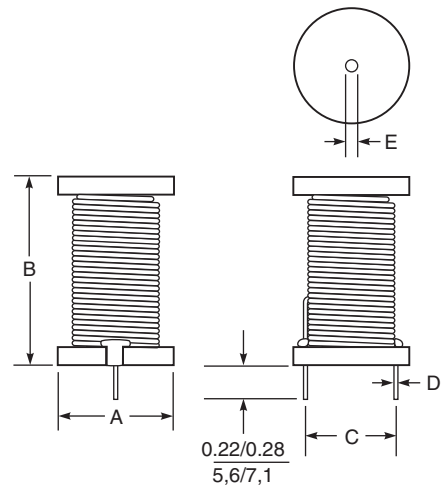
PCV-0 Series



PCV-1 Series



PCV-2 Series



Dimensions are in $\frac{\text{inches}}{\text{mm}}$

Terminations: Tin-silver (96.5/3.5) over copper
See last page for packaging information.



US +1-847-639-6400 sales@coilcraft.com
UK +44-1236-730595 sales@coilcraft-europe.com
Taiwan +886-2-2264 3646 sales@coilcraft.com.tw
China +86-21-6218 8074 sales@coilcraft.com.cn
Singapore + 65-6484 8412 sales@coilcraft.com.sg

Document 135-1 Revised 11/27/19

© Coilcraft Inc. 2019

This product may not be used in medical or high risk applications without prior Coilcraft approval. Specification subject to change without notice. Please check web site for latest information.



Power Chokes – Vertical Mount

| Part number | Inductance ¹ (µH) | Irms ² (A) | DCR max (Ohms) | A max (in/mm) | B max (in/mm) | C ±0.015/0,38 (in/mm) | D ±0.004/0,10 (in/mm) | Weight (g) |
|----------------------|---------------------------------|--------------------------|-------------------|------------------|------------------|--------------------------|--------------------------|---------------|
| PCV-0 Series | | | | | | | | |
| PCV-0-102-25L | 1.0 ±15% | 21.8 | 0.002 | 0.60/15,2 | 0.68/17,3 | 0.42/10,7 | 0.068/1,73 | 5.6 |
| PCV-0-102-10L | 1.0 ±15% | 16.7 | 0.003 | 0.50/12,7 | 0.75/19,1 | 0.42/10,7 | 0.054/1,37 | 4.2 |
| PCV-0-332-10L | 3.3 ±15% | 12.7 | 0.005 | 0.50/12,7 | 1.0/25,4 | 0.42/10,7 | 0.054/1,37 | 6.7 |
| PCV-0-472-03L | 4.7 ±15% | 7.4 | 0.021 | 0.51/13,0 | 0.75/19,1 | 0.42/10,7 | 0.035/0,89 | 3.7 |
| PCV-0-472-05L | 4.7 ±15% | 8.9 | 0.012 | 0.50/12,7 | 0.75/19,1 | 0.42/10,7 | 0.042/1,07 | 5.0 |
| PCV-0-472-10L | 4.7 ±15% | 11.9 | 0.012 | 0.50/12,7 | 1.0/25,4 | 0.42/10,7 | 0.054/1,37 | 7.5 |
| PCV-0-472-20L | 4.7 ±15% | 16.4 | 0.004 | 0.53/13,5 | 1.2/30,5 | 0.42/10,7 | 0.068/1,73 | 11.9 |
| PCV-0-103-03L | 10 ±10% | 5.9 | 0.023 | 0.50/12,7 | 0.75/19,1 | 0.42/10,7 | 0.035/0,89 | 4.4 |
| PCV-0-103-05L | 10 ±10% | 7.1 | 0.017 | 0.50/12,7 | 0.75/19,1 | 0.42/10,7 | 0.042/1,07 | 6.4 |
| PCV-0-103-10L | 10 ±10% | 11.8 | 0.015 | 0.52/13,2 | 1.0/25,4 | 0.42/10,7 | 0.054/1,37 | 9.5 |
| PCV-0-103-20L | 10 ±10% | 17.0 | 0.006 | 0.75/19,1 | 1.8/45,7 | 0.60/15,2 | 0.075/1,91 | 28.6 |
| PCV-0-153-03L | 15 ±10% | 6.8 | 0.025 | 0.50/12,7 | 1.0/25,4 | 0.42/10,7 | 0.035/0,89 | 5.9 |
| PCV-0-153-10L | 15 ±10% | 9.8 | 0.020 | 0.52/13,2 | 1.0/25,4 | 0.42/10,7 | 0.054/1,37 | 11.3 |
| PCV-0-223-03L | 22 ±10% | 7.4 | 0.035 | 0.50/12,7 | 1.0/25,4 | 0.42/10,7 | 0.035/0,89 | 6.4 |
| PCV-0-223-05L | 22 ±10% | 8.9 | 0.023 | 0.50/12,7 | 1.0/25,4 | 0.42/10,7 | 0.042/1,07 | 9.3 |
| PCV-0-223-10L | 22 ±10% | 13.0 | 0.015 | 0.66/16,8 | 1.3/33,0 | 0.42/10,7 | 0.060/1,52 | 21.0 |
| PCV-0-273-05L | 27 ±10% | 7.1 | 0.024 | 0.50/12,7 | 1.0/25,4 | 0.49/12,5 | 0.042/1,07 | 10.3 |
| PCV-0-333-12L | 33 ±10% | 11.0 | 0.017 | 0.70/17,8 | 1.3/33,0 | 0.55/14,0 | 0.060/1,52 | 29.3 |
| PCV-0-473-03L | 47 ±10% | 4.3 | 0.050 | 0.55/14,0 | 1.0/25,4 | 0.42/10,7 | 0.035/0,89 | 8.5 |
| PCV-0-473-05L | 47 ±10% | 6.0 | 0.035 | 0.65/16,5 | 1.1/28,0 | 0.70/17,8 | 0.042/1,07 | 13.1 |
| PCV-0-473-10L | 47 ±10% | 8.7 | 0.022 | 0.85/21,6 | 1.3/33,0 | 0.70/17,8 | 0.060/1,52 | 31.4 |
| PCV-0-823-03L | 82 ±10% | 2.8 | 0.110 | 0.50/12,7 | 0.65/16,5 | 0.375/9,5 | 0.028/0,71 | 7.0 |
| PCV-0-104-01L | 100 ±10% | 1.8 | 0.190 | 0.40/10,2 | 0.90/22,9 | 0.30/7,6 | 0.020/0,51 | 5.0 |
| PCV-0-104-03L | 100 ±10% | 3.8 | 0.072 | 0.55/14,0 | 1.2/30,5 | 0.70/17,8 | 0.035/0,89 | 11.6 |
| PCV-0-104-05L | 100 ±10% | 5.5 | 0.055 | 0.65/16,5 | 1.3/33,0 | 0.70/17,8 | 0.042/1,07 | 21.3 |
| PCV-0-154-03L | 150 ±10% | 2.8 | 0.140 | 0.60/15,2 | 1.2/30,5 | 0.43/10,9 | 0.028/0,71 | 11.8 |
| PCV-0-154-05L | 150 ±10% | 5.2 | 0.065 | 0.68/17,3 | 1.3/33,0 | 0.70/17,8 | 0.042/1,07 | 26.4 |
| PCV-0-184-05L | 180 ±10% | 3.3 | 0.110 | 0.60/15,2 | 1.2/30,5 | 0.43/10,9 | 0.035/0,89 | 17.9 |
| PCV-0-224-03L | 220 ±10% | 2.1 | 0.210 | 0.55/14,0 | 1.2/30,5 | 0.42/10,7 | 0.025/0,64 | 8.9 |
| PCV-0-274-04L | 270 ±10% | 2.1 | 0.250 | 0.95/24,0 | 0.72/18,3 | 0.71/18,0 | 0.030/0,76 | 26.8 |
| PCV-0-274-10L | 270 ±10% | 3.6 | 0.160 | 1.1/28,0 | 1.0/25,4 | 0.72/18,3 | 0.038/0,97 | 38.8 |
| PCV-0-394-03L | 390 ±10% | 3.0 | 0.250 | 1.1/28,0 | 1.0/25,4 | 0.72/18,3 | 0.035/0,89 | 37.1 |
| PCV-0-394-05L | 390 ±10% | 3.1 | 0.190 | 1.1/28,0 | 1.0/25,4 | 0.72/18,3 | 0.038/0,97 | 45.4 |
| PCV-1 Series | | | | | | | | |
| PCV-1-152-15L | 1.5 ±15% | 18.2 | 0.003 | 0.65/16,5 | 0.90/22,9 | 0.42/10,7 | 0.068/1,73 | 8.0 |
| PCV-1-182-10L | 1.8 ±15% | 18.2 | 0.006 | 0.65/16,5 | 1.1/27,9 | 0.42/10,7 | 0.054/1,37 | 6.2 |
| PCV-1-182-15L | 1.8 ±15% | 19.3 | 0.003 | 0.65/16,5 | 1.1/27,9 | 0.42/10,7 | 0.068/1,73 | 8.5 |
| PCV-1-472-03L | 4.7 ±15% | 7.5 | 0.021 | 0.62/15,7 | 0.85/21,6 | 0.42/10,7 | 0.035/0,89 | 5.2 |
| PCV-1-472-05L | 4.7 ±15% | 9.1 | 0.012 | 0.62/15,7 | 0.85/21,6 | 0.42/10,7 | 0.042/1,07 | 5.6 |
| PCV-1-472-10L | 4.7 ±15% | 11.8 | 0.012 | 0.62/15,7 | 1.1/27,9 | 0.42/10,7 | 0.054/1,37 | 8.5 |
| PCV-1-103-03L | 10 ±10% | 6.0 | 0.026 | 0.63/16,0 | 0.85/21,6 | 0.42/10,7 | 0.035/0,89 | 4.4 |
| PCV-1-103-05L | 10 ±10% | 7.1 | 0.020 | 0.62/15,7 | 0.85/21,6 | 0.42/10,7 | 0.042/1,07 | 7.5 |
| PCV-1-103-10L | 10 ±10% | 10.9 | 0.013 | 0.63/16,0 | 1.1/27,9 | 0.42/10,7 | 0.054/1,37 | 5.2 |
| PCV-1-153-10L | 15 ±10% | 11.8 | 0.020 | 0.70/17,8 | 1.4/35,6 | 0.42/10,7 | 0.060/1,52 | 18.4 |
| PCV-1-223-03L | 22 ±10% | 5.5 | 0.035 | 0.62/15,7 | 1.1/27,9 | 0.42/10,7 | 0.035/0,89 | 7.4 |
| PCV-1-223-05L | 22 ±10% | 6.9 | 0.023 | 0.62/15,7 | 1.1/27,9 | 0.42/10,7 | 0.042/1,07 | 10.2 |
| PCV-1-223-10L | 22 ±10% | 10.4 | 0.018 | 0.70/17,8 | 1.4/35,6 | 0.42/10,7 | 0.060/1,52 | 21.8 |
| PCV-1-473-03L | 47 ±10% | 5.3 | 0.050 | 0.65/16,5 | 1.1/27,9 | 0.42/10,7 | 0.035/0,89 | 9.6 |
| PCV-1-473-05L | 47 ±10% | 6.3 | 0.033 | 0.90/22,9 | 1.2/30,5 | 0.70/17,8 | 0.042/1,07 | 14.9 |
| PCV-1-473-10L | 47 ±10% | 8.2 | 0.022 | 0.90/22,9 | 1.4/35,6 | 0.70/17,8 | 0.060/1,52 | 32.9 |
| PCV-1-104-03L | 100 ±10% | 3.4 | 0.072 | 0.90/22,9 | 1.3/33,1 | 0.70/17,8 | 0.035/0,89 | 13.3 |
| PCV-1-104-05L | 100 ±10% | 4.9 | 0.055 | 0.90/22,9 | 1.4/35,6 | 0.70/17,8 | 0.042/1,07 | 22.9 |
| PCV-1-184-03L | 180 ±10% | 2.8 | 0.150 | 0.63/16,0 | 1.2/30,5 | 0.42/10,7 | 0.028/0,71 | 10.7 |
| PCV-1-304-05L | 300 ±10% | 3.4 | 0.160 | 1.1/27,9 | 1.0/25,4 | 0.70/17,8 | 0.038/0,97 | 41.1 |
| PCV-1-394-05L | 390 ±10% | 3.0 | 0.190 | 1.1/27,9 | 1.0/25,4 | 0.70/17,8 | 0.038/0,97 | 47.3 |



www.coilcraft.com

US +1-847-639-6400 sales@coilcraft.com
UK +44-1236-730595 sales@coilcraft-europe.com
Taiwan +886-2-2264 3646 sales@coilcraft.com.tw
China +86-21-6218 8074 sales@coilcraft.com.cn
Singapore + 65-6484 8412 sales@coilcraft.com.sg

Document 135-2 Revised 11/27/19

© Coilcraft Inc. 2019

This product may not be used in medical or high risk applications without prior Coilcraft approval. Specification subject to change without notice. Please check web site for latest information.

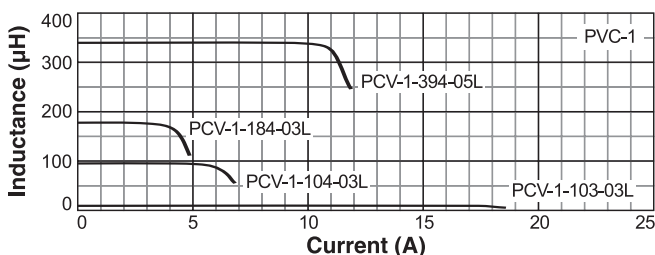
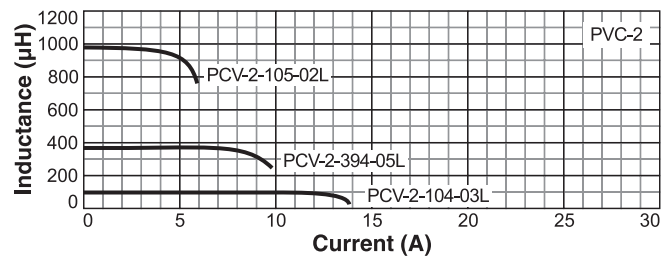
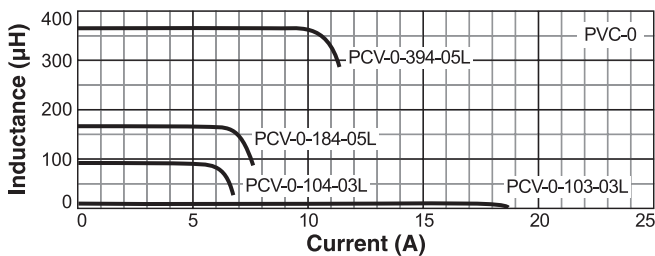


Power Chokes – Vertical Mount

| Part number | Inductance ¹ ±10% (µH) | I _{rms} ² (A) | DCR max (Ohms) | A max (in/mm) | B max (in/mm) | C ±0.015/0,38 (in/mm) | D ±0.004/0,10 (in/mm) | E min (in/mm) | Weight (g) |
|----------------------|--------------------------------------|--------------------------------------|-------------------|------------------|------------------|--------------------------|--------------------------|------------------|---------------|
| PCV-2 Series | | | | | | | | | |
| PCV-2-103-05L | 10 | 10.5 | 0.015 | 0.61/15,49 | 0.83/21,08 | 0.42/10,67 | 0.042/1,07 | 0.116/2,95 | 11.8 |
| PCV-2-103-10L | 10 | 11.8 | 0.010 | 0.61/15,49 | 0.83/21,08 | 0.50/12,70 | 0.054/1,37 | 0.116/2,95 | 11.8 |
| PCV-2-223-05L | 22 | 7.6 | 0.020 | 0.61/15,49 | 0.83/21,08 | 0.42/10,67 | 0.042/1,07 | 0.116/2,95 | 13.7 |
| PCV-2-223-10L | 22 | 10.3 | 0.015 | 0.86/21,84 | 0.83/21,08 | 0.58/14,73 | 0.054/1,37 | 0.116/2,95 | 23.3 |
| PCV-2-473-05L | 47 | 5.0 | 0.035 | 0.70/17,78 | 0.83/21,08 | 0.48/12,19 | 0.038/0,97 | 0.116/2,95 | 14.8 |
| PCV-2-473-10L | 47 | 9.6 | 0.020 | 1.00/25,40 | 0.83/21,08 | 0.70/17,78 | 0.054/1,37 | 0.116/2,95 | 36.9 |
| PCV-2-104-03L | 100 | 4.4 | 0.080 | 0.84/21,34 | 0.83/21,08 | 0.58/14,73 | 0.031/0,79 | 0.116/2,95 | 19.2 |
| PCV-2-104-05L | 100 | 5.6 | 0.048 | 0.84/21,34 | 0.83/21,08 | 0.70/17,78 | 0.042/1,07 | 0.116/2,95 | 19.0 |
| PCV-2-104-10L | 100 | 10.1 | 0.032 | 1.05/26,67 | 1.00/25,40 | 0.88/22,35 | 0.054/1,37 | 0.116/2,95 | 46.6 |
| PCV-2-184-05L | 180 | 4.0 | 0.092 | 0.80/20,32 | 0.90/22,86 | 0.58/14,73 | 0.035/0,89 | 0.116/2,95 | 25.1 |
| PCV-2-184-10L | 180 | 8.0 | 0.048 | 1.44/36,58 | 1.05/26,67 | 1.05/26,67 | 0.054/1,37 | 0.175/4,45 | 93.8 |
| PCV-2-224-05L | 220 | 6.6 | 0.075 | 1.05/26,67 | 1.00/25,40 | 0.75/19,05 | 0.042/1,07 | 0.116/2,95 | 40.0 |
| PCV-2-274-03L | 270 | 4.3 | 0.130 | 1.00/25,40 | 0.83/21,08 | 0.75/19,05 | 0.035/0,89 | 0.116/2,95 | 35.7 |
| PCV-2-274-05L | 270 | 5.2 | 0.080 | 1.05/26,67 | 1.00/25,40 | 0.80/20,32 | 0.042/1,07 | 0.116/2,95 | 47.8 |
| PCV-2-274-10L | 270 | 7.2 | 0.060 | 1.50/38,10 | 1.05/26,67 | 1.08/27,43 | 0.054/1,37 | 0.175/4,45 | 103.0 |
| PCV-2-394-05L | 390 | 3.9 | 0.130 | 1.10/29,34 | 0.83/21,08 | 0.85/21,59 | 0.038/0,97 | 0.116/2,95 | 42.3 |
| PCV-2-564-02L | 560 | 2.6 | 0.270 | 0.80/20,32 | 0.90/22,86 | 0.57/14,48 | 0.028/0,71 | 0.116/2,95 | 26.8 |
| PCV-2-564-06L | 560 | 4.0 | 0.170 | 1.21/30,73 | 1.05/26,67 | 0.90/22,86 | 0.038/0,97 | 0.116/2,95 | 66.4 |
| PCV-2-564-08L | 560 | 7.0 | 0.090 | 1.50/38,10 | 1.43/36,32 | 1.08/27,43 | 0.054/1,37 | 0.175/4,45 | 135.6 |
| PCV-2-684-01L | 680 | 1.3 | 0.700 | 0.70/17,78 | 0.83/21,08 | 0.50/12,70 | 0.018/0,46 | 0.116/2,95 | 12.5 |
| PCV-2-105-02L | 1000 | 2.3 | 0.370 | 1.00/25,40 | 0.83/21,08 | 0.72/18,29 | 0.028/0,71 | 0.116/2,95 | 39.2 |

1. Tested at 15.75 kHz, 0.1 V_{rms}, with DC bias applied up to the I_{rms} current.
2. Current that causes a 40°C temperature rise from 25°C ambient.
3. **Ambient temperature range:** -40°C to +85°C with I_{rms} current
4. **Storage temperature range:** Component: -40°C to +125°C
Tray packaging: -40°C to +80°C
5. Electrical specifications at 25°C.
6. Parts in bold type are included in Coilcraft Designer's Kit P405.

Typical L vs Current



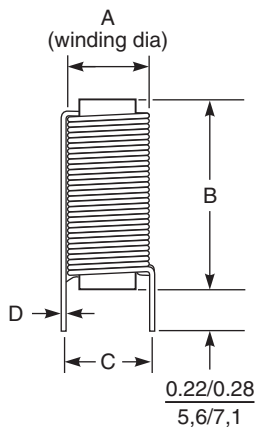


Power Chokes – Vertical Mount

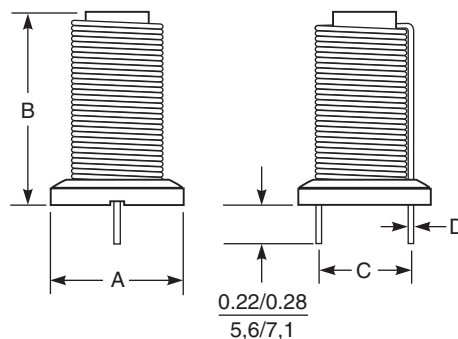
Tray and carton packaging

| Part number | Parts per tray | Maximum parts per carton | Part number | Parts per tray | Maximum parts per carton | Part number | Parts per tray | Maximum parts per carton |
|---------------|----------------|--------------------------|---------------|----------------|--------------------------|---------------|----------------|--------------------------|
| PCV-0-102-10L | 49 | 245 | PCV-1-103-03L | 49 | 245 | PCV-2-103-05L | 49 | 245 |
| PCV-0-102-25L | 49 | 294 | PCV-1-103-05L | 49 | 245 | PCV-2-103-10L | 49 | 245 |
| PCV-0-103-03L | 49 | 245 | PCV-1-103-10L | 49 | 196 | PCV-2-104-03L | 49 | 245 |
| PCV-0-103-05L | 49 | 245 | PCV-1-104-03L | 49 | 245 | PCV-2-104-05L | 49 | 245 |
| PCV-0-103-10L | 49 | 196 | PCV-1-104-05L | 100 | 200 | PCV-2-104-10L | 49 | 245 |
| PCV-0-103-20L | 49 | 196 | PCV-1-152-15L | 49 | 245 | PCV-2-105-02L | 49 | 245 |
| PCV-0-104-01L | 49 | 245 | PCV-1-153-10L | 49 | 147 | PCV-2-184-05L | 49 | 245 |
| PCV-0-104-03L | 49 | 294 | PCV-1-182-10L | 49 | 196 | PCV-2-184-10L | 25 | 100 |
| PCV-0-104-05L | 98 | 392 | PCV-1-182-15L | 49 | 196 | PCV-2-223-05L | 49 | 245 |
| PCV-0-153-03L | 49 | 196 | PCV-1-184-03L | 49 | 196 | PCV-2-223-10L | 49 | 245 |
| PCV-0-153-10L | 49 | 196 | PCV-1-223-03L | 49 | 196 | PCV-2-224-05L | 49 | 245 |
| PCV-0-154-03L | 49 | 196 | PCV-1-223-05L | 49 | 196 | PCV-2-274-03L | 49 | 245 |
| PCV-0-154-05L | 49 | 245 | PCV-1-223-10L | 49 | 147 | PCV-2-274-05L | 49 | 245 |
| PCV-0-184-05L | 49 | 196 | PCV-1-304-05L | 49 | 245 | PCV-2-274-10L | 25 | 100 |
| PCV-0-223-03L | 49 | 196 | PCV-1-394-05L | 49 | 245 | PCV-2-394-05L | 25 | 125 |
| PCV-0-223-05L | 49 | 196 | PCV-1-472-03L | 49 | 245 | PCV-2-473-05L | 49 | 245 |
| PCV-0-223-10L | 49 | 147 | PCV-1-472-05L | 49 | 245 | PCV-2-473-10L | 49 | 245 |
| PCV-0-224-03L | 49 | 196 | PCV-1-472-10L | 49 | 196 | PCV-2-564-02L | 49 | 245 |
| PCV-0-273-05L | 49 | 196 | PCV-1-473-03L | 49 | 196 | PCV-2-564-06L | 25 | 100 |
| PCV-0-274-04L | 49 | 245 | PCV-1-473-05L | 49 | 245 | PCV-2-564-08L | 25 | 100 |
| PCV-0-274-10L | 49 | 245 | PCV-1-473-10L | 49 | 245 | PCV-2-684-01L | 49 | 245 |
| PCV-0-332-10L | 49 | 196 | | | | | | |
| PCV-0-333-12L | 49 | 245 | | | | | | |
| PCV-0-394-03L | 49 | 245 | | | | | | |
| PCV-0-394-05L | 49 | 245 | | | | | | |
| PCV-0-472-03L | 49 | 245 | | | | | | |
| PCV-0-472-05L | 49 | 245 | | | | | | |
| PCV-0-472-10L | 49 | 196 | | | | | | |
| PCV-0-472-20L | 49 | 196 | | | | | | |
| PCV-0-473-03L | 49 | 196 | | | | | | |
| PCV-0-473-05L | 98 | 392 | | | | | | |
| PCV-0-473-10L | 49 | 245 | | | | | | |
| PCV-0-823-03L | 49 | 294 | | | | | | |

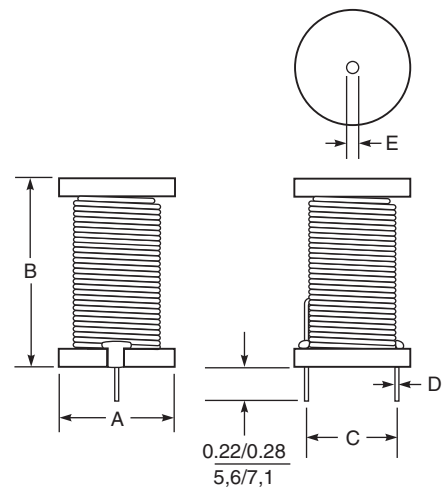
PCV-0 Series



PCV-1 Series



PCV-2 Series



Dimensions are in $\frac{\text{inches}}{\text{mm}}$
Terminations: Tin-silver over copper



US +1-847-639-6400 sales@coilcraft.com
UK +44-1236-730595 sales@coilcraft-europe.com
Taiwan +886-2-2264 3646 sales@coilcraft.com.tw
China +86-21-6218 8074 sales@coilcraft.com.cn
Singapore + 65-6484 8412 sales@coilcraft.com.sg

Document 135-4 Revised 11/27/19
 © Coilcraft Inc. 2019
 This product may not be used in medical or high risk applications without prior Coilcraft approval. Specification subject to change without notice. Please check web site for latest information.

X-ON Electronics

Largest Supplier of Electrical and Electronic Components

Click to view similar products for [Fixed Inductors](#) category:

Click to view products by [Coilcraft](#) manufacturer:

Other Similar products are found below :

[CR43NP-680KC](#) [CR54NP-820KC](#) [CR54NP-8R5MC](#) [CTX32CT-100](#) [70F224AI](#) [MGDQ4-00004-P](#) [MHL1ECTTP18NJ](#) [MHL1JCTTD12NJ](#)
[PE-51506NL](#) [PE-53601NL](#) [PE-53602NL](#) [PE-53630NL](#) [PE-53824SNLT](#) [PE-92100NL](#) [PG0434.801NLT](#) [PG0936.113NLT](#) [9310-16](#) [PM06-2N7](#) [PM06-39NJ](#) [A01TK](#) [1206CS-471XJ](#) [HC2-2R2TR](#) [HC2LP-R47-R](#) [HC3-2R2-R](#) [1206CS-151XG](#) [RCH664NP-140L](#) [RCH664NP-4R7M](#)
[RCH8011NP-221L](#) [RCP1317NP-332L](#) [RCP1317NP-391L](#) [RCR1010NP-470M](#) [RCR110DNP-331L](#) [DH2280-4R7M](#) [DS1608C-106](#) [ASPI-4020HI-R10M-T](#) [B10TJ](#) [B82477P4333M](#) [B82498B3101J000](#) [B82498B3680J000](#) [ELJ-RE27NJF2](#) [1812CS-153XJ](#) [1812CS-183XJ](#) [1812CS-223XJ](#) [1812LS-104XJ](#) [1812LS-105XJ](#) [1812LS-124XJ](#) [1812LS-154XJ](#) [1812LS-223XJ](#) [1812LS-224XJ](#) [1812LS-563XJ](#)